

OCR10-M56101EN

Introduction

1.This parts catalog for 3JH4E is published as a revised edition of the Diesel engine.

| | Date of issue | Remarks |
|-------------------------|---------------|---------|
| First edition | July, 2003 | No need |
| 1st edition(supplement) | Apr., 2014 | |

2.Standard finish color. Yanmar ecole silver metallic
Parts No. 977620-40071 4L(Packed in a can)
Parts No. TOR-94800250 Spray(1 piece)

3.This parts catalog does not contain the technical data needed for maintenance service.

4.The illustrations used in this parts catalog have been simplified for clarity.

5.The contents of this parts catalog are subject to change without notice.

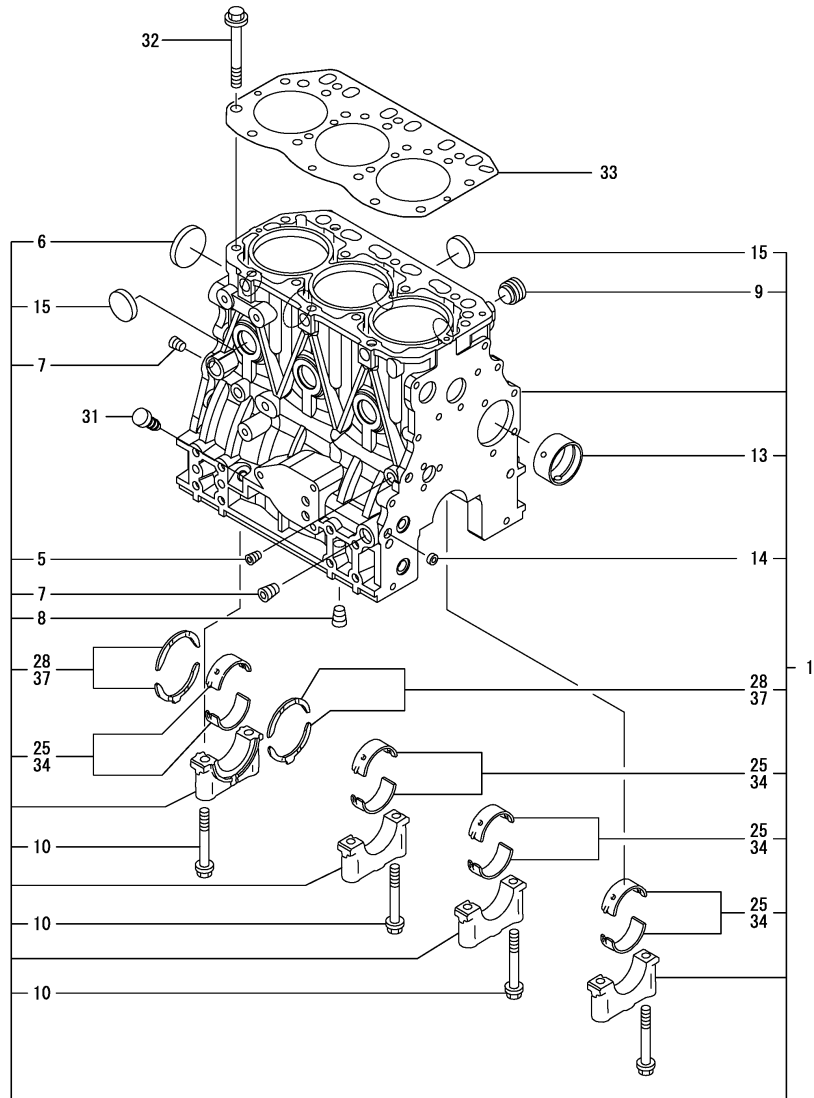
6.Be sure to use only Yanmar genuine parts for repairs.If imitation parts are used, it may cause engine defects.

Contents

OCR10-M56101

| Fig. No. | Fig. Name | Fig. No. | Fig. Name |
|----------|-------------------------------------------------------|----------|--------------------------------------------------|
| 3JH4E | | 24. | BILGE PUMP(DX)(OPTIONAL) |
| 1. | CYLINDER BLOCK | 48. | (24A)BILGE PUMP(OPTIONAL) |
| 2. | GEAR HOUSING | 25. | FUEL INJECTION PUMP |
| 3. | FLYWHEEL HOUSING | 26. | GOVERNOR |
| 4. | MOUNTING FOOT | 27. | FUEL FEED PUMP |
| 5. | OIL SUMP | 28. | FUEL INJECTION VALVE |
| 6. | LABEL | 29. | FUEL INJECTION PIPE |
| 7. | CYLINDER HEAD | 30. | FUEL PIPE & FUEL STRAINER |
| 8. | BONNET | 31. | FUEL TANK(OPTIONAL) |
| 9. | SUCTION MANIFOLD | 32. | CABLE SUPPORT |
| 10. | MIXING ELBOW | 33. | CLUTCH |
| 11. | CAMSHAFT | 34. | COUPLING(OPTIONAL) |
| 12. | CRANKSHAFT & FLYWHEEL | 35. | STARTING MOTOR |
| 13. | PISTON & CONNECTING ROD | 36. | GENERATOR(12V-60A) |
| 14. | LUB. OIL SYSTEM | 37. | GENERATOR(12V-80A) |
| 15. | LUB. OIL PIPE | 38. | V-BELT COVER & GENERATOR ATTACHMENT |
| 16. | COOLING SEA WATER PUMP | 39. | WIRE HARNESS & SENSOR |
| 17. | COOLING SEA WATER PUMP(OPTIONAL) | 40. | INSTRUMENT PANEL(B-TYPE)(OPTIONAL) |
| 18. | COOLING FRESH WATER PUMP | 41. | INSTRUMENT PANEL(C-TYPE)(OPTIONAL) |
| 19. | COOLING FRESH WATER COOLER | 45. | (41A)INSTRUMENT PANEL(B-TYPE:KEYLES)(OPTIONAL) |
| 20. | COOLING SEA WATER PIPE | 46. | (41B)INSTRUMENT PANEL(C-TYPE:KEYLES)(OPTIONAL) |
| 47. | (20A)COOLING SEA WATER PIPE(REAR PUMP SPEC.:OPTIONAL) | 42. | TOOLS |
| 21. | COOLING FRESH WATER PIPE | 43. | GASKET SET(OPTIONAL) |
| 22. | COOLING SEA WATER STRAINER(OPTIONAL) | 44. | GENERATOR(130A) & GENERATOR ATTACHMENT(OPTIONAL) |
| 23. | BILGE PUMP(STD)(OPTIONAL) | 49. | SPARE PARTS KIT(OPTIONAL) |

Fig.1. CYLINDER BLOCK



(A)=3JH4E
(B)=
(C)=

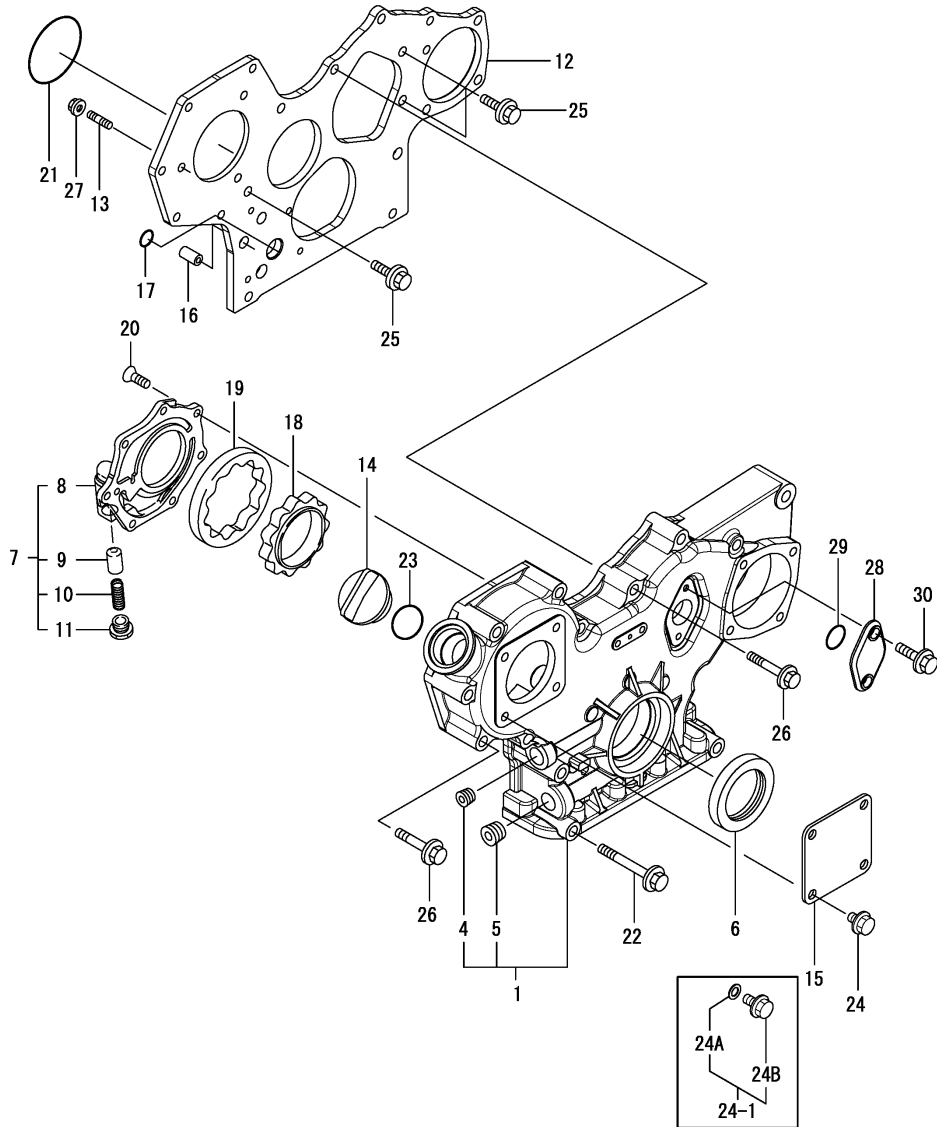
(D)=
(E)=
(F)=

| No. | Lev. | Parts No. | Description | Q'ty | | | | | | I | R |
|------------|------|--------------|----------------------|------|-----|-----|-----|-----|-----|---|-----|
| | | | | (A) | (B) | (C) | (D) | (E) | (F) | | |
| 1 | 1 | 729005-01560 | BLOCK ASSY, CYLINDER | 1 | | | | | | | |
| 5 | 2 | 124060-01050 | PLUG, PT1/8 | 1 | | | | | | | |
| 6 | 2 | 129001-01250 | PLUG, 50 | 1 | | | | | | | |
| 7 | 2 | 124160-01910 | PLUG, PT1/4 | 2 | | | | | | | |
| 8 | 2 | 124160-01910 | PLUG, PT1/4 | 1 | | | | | | | |
| 9 | 2 | 171051-01921 | PLUG, NPTF1 | 1 | | | | | | | |
| 10 | 2 | 129150-02020 | BOLT, METAL CAP | 8 | | | | | | | |
| 13 | 2 | 129795-02411 | BUSH, CAMSHAFT | 1 | | | | | | | |
| 13-1 | 2 | 129795-02412 | BUSH, CAMSHAFT | 1 | | | | | | | N |
| (A=E03798) | | | | | | | | | | | |
| 14 | 2 | 27241-120000 | PLUG, 12 | 2 | | | | | | | |
| 15 | 2 | 27241-300000 | PLUG 30 | 6 | | | | | | | |
| 25 | 2 | 129001-02930 | BEARING, MAIN | 4 | | | | | | | 3 |
| 25-1 | 2 | 129001-02931 | BEARING, MAIN | 4 | | | | | | | N 3 |
| (A=E04680) | | | | | | | | | | | |
| 28 | 2 | 129150-02930 | BEARING, THRUST | 2 | | | | | | | |
| 28-1 | 2 | 129150-02931 | BEARING, THRUST | 2 | | | | | | | N |
| (A=E04680) | | | | | | | | | | | |
| 31 | 1 | 124976-34850 | CAP | 1 | | | | | | | |
| 32 | 1 | 129150-01200 | BOLT, HEAD | 14 | | | | | | | |
| 33 | 1 | 129001-01340 | GASKET, HEAD | 1 | | | | | | | |
| 34 | 1 | 129150-02870 | BEARING, 0.25 US | 4 | | | | | | | 1 |
| 37 | 1 | 129150-02940 | BEARING, THRUST 0.25 | 1 | | | | | | | 2 |

Remarks

- (1) Under-sized (U.S.=0.25) parts.
- (2) Over-sized (O.S.=0.25) parts.
- (3) Spare parts.

Fig.2. GEAR HOUSING



(A)=3JH4E
(B)=
(C)=

(D)=
(E)=
(F)=

| No. | Lev. | Parts No. | Description | Q'ty | | | | | | I | R |
|--------------|------|--------------|---------------------|------|-----|-----|-----|-----|-----|---|---|
| | | | | (A) | (B) | (C) | (D) | (E) | (F) | | |
| 1 | 1 | 129271-01500 | COVER, GEAR CASE | 1 | | | | | | | |
| 4 | 2 | 23876-030000 | PLUG, R03 | 1 | | | | | | | |
| 5 | 2 | 23876-040000 | PLUG, R04 | 1 | | | | | | | |
| 6 | 1 | 129795-01800 | SEAL, OIL | 1 | | | | | | | |
| 7 | 1 | 119802-32100 | COVER ASSY | 1 | | | | | | | |
| 8 | 2 | 119802-32070 | COVER | 1 | | | | | | | |
| 9 | 2 | 129900-32130 | VALVE, RELIEF | 1 | | | | | | | |
| 10 | 2 | 129418-32320 | SPRING | 1 | | | | | | | |
| 11 | 2 | 129001-32330 | PLUG | 1 | | | | | | | |
| 12 | 1 | 129004-01520 | FLANGE, GEAR CASE | 1 | | | | | | | |
| 13 | 1 | 119802-01560 | STUD, M8X25 | 3 | | | | | | | |
| 13-1 | 1 | 119802-01561 | STUD, M8X25 | 1 | | | | | | | R |
| (A=E02694) | | | | | | | | | | | |
| 14 | 1 | 124160-01751 | COVER, FILLER | 1 | | | | | | | |
| 15 | 1 | 124240-01871 | COVER | 1 | | | | | | | |
| 16 | 1 | 129795-01950 | PIPE, KNOCK L=18 | 2 | | | | | | | |
| 17 | 1 | 119609-32040 | O-RING, P16 | 4 | | | | | | | |
| 18 | 1 | 129508-32111 | ROTOR, INNER | 1 | | | | | | | |
| 19 | 1 | 129508-32120 | ROTOR, OUTER | 1 | | | | | | | |
| 20 | 1 | 119802-32130 | SCREW, M6X16 | 7 | | | | | | | |
| 21 | 1 | 121850-51960 | O-RING | 1 | | | | | | | |
| 22 | 1 | 129001-91841 | BOLT, M8X85 | 3 | | | | | | | |
| 22-1 | 1 | 26106-080852 | BOLT, M8X 85 PLATED | 3 | | | | | | | R |
| (A=*2008.12) | | | | | | | | | | | |
| 23 | 1 | 24311-000320 | O-RING, 1AP32.0 | 1 | | | | | | | |
| 24 | 1 | 26106-080162 | BOLT, M8X 16 PLATED | 4 | | | | | | | |
| 24-1 | 1 | 124550-01590 | BOLT, M8X16 | 4 | | | | | | | R |
| (A=E02694) | | | | | | | | | | | |
| 24A | 2 | 22190-080002 | WASHER, SEAL 8 | 4 | | | | | | | W |
| (A=E02694) | | | | | | | | | | | |
| 24B | 2 | 26106-080162 | BOLT, M8X 16 PLATED | 4 | | | | | | | W |
| (A=E02694) | | | | | | | | | | | |
| 25 | 1 | 26106-080162 | BOLT, M8X 16 PLATED | 3 | | | | | | | |
| 26 | 1 | 26106-080552 | BOLT, M8X 55 PLATED | 11 | | | | | | | |
| 27 | 1 | 26306-080002 | NUT, M8 | 3 | | | | | | | |
| 28 | 1 | 121023-01550 | COVER | 1 | | | | | | | |
| 28-1 | 1 | 121023-01551 | COVER | 1 | | | | | | | R |
| (A=E03146) | | | | | | | | | | | |
| 29 | 1 | 24341-000240 | O-RING, 1AS24.0 | 1 | | | | | | | |
| 30 | 1 | 26106-060162 | BOLT, M6X 16 PLATED | 2 | | | | | | | |

Fig.3. FLYWHEEL HOUSING

(A)=3JH4E
(B)=
(C)=

(D)=
(E)=
(F)=

| No. | Lev. | Parts No. | Description | Q'ty | | | | | | I | R |
|--------------|------|--------------|----------------------|------|-----|-----|-----|-----|-----|---|---|
| | | | | (A) | (B) | (C) | (D) | (E) | (F) | | |
| 1 | 1 | 129100-01580 | PIN, 8X16 | 2 | | | | | | | |
| 2 | 1 | 129670-01600 | HOUSING, FLYWHEEL | 1 | | | | | | | |
| 2-1 | 1 | 129670-01601 | HOUSING, FLYWHEEL | 1 | | | | | | | R |
| (A=*2013.06) | | | | | | | | | | | |
| 3 | 1 | 26206-100252 | BOLT, M10X 25 PLATED | 6 | | | | | | | |
| 4 | 1 | 26206-100302 | BOLT, M10X 30 PLATED | 4 | | | | | | | |
| 5 | 1 | 129100-01580 | PIN, 8X16 | 2 | | | | | | | |
| 6 | 1 | 129100-01640 | CASE ASSY, OIL SEAL | 1 | | | | | | | |
| 8 | 2 | 129795-01780 | SEAL, OIL | 1 | | | | | | | |
| 9 | 1 | 129486-01670 | BOLT, M8X30 | 6 | | | | | | | |
| 10 | 1 | 26106-080352 | BOLT, M8X 35 PLATED | 3 | | | | | | | |
| 11 | 1 | 119620-01750 | CAP | 1 | | | | | | | W |
| (A=E06252) | | | | | | | | | | | |

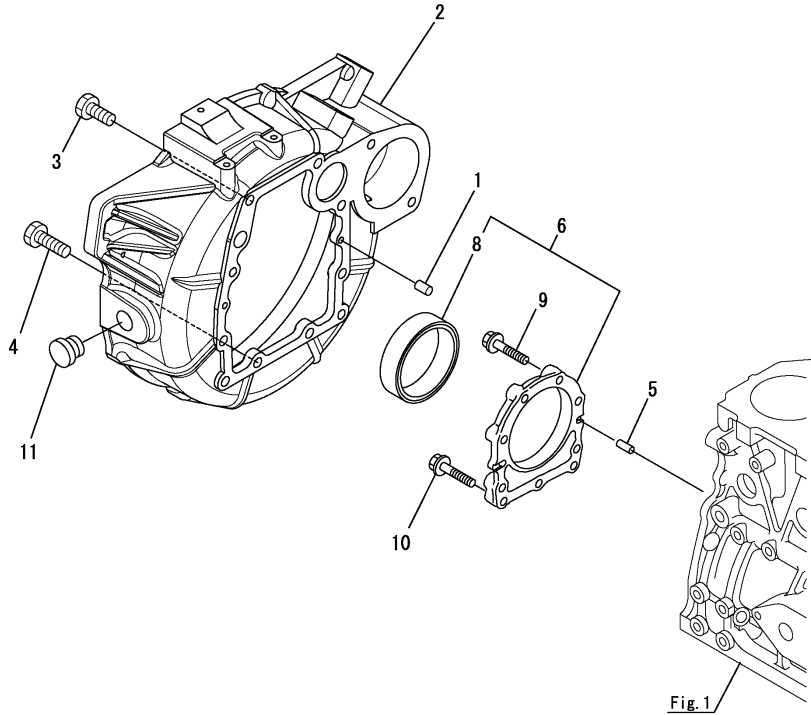
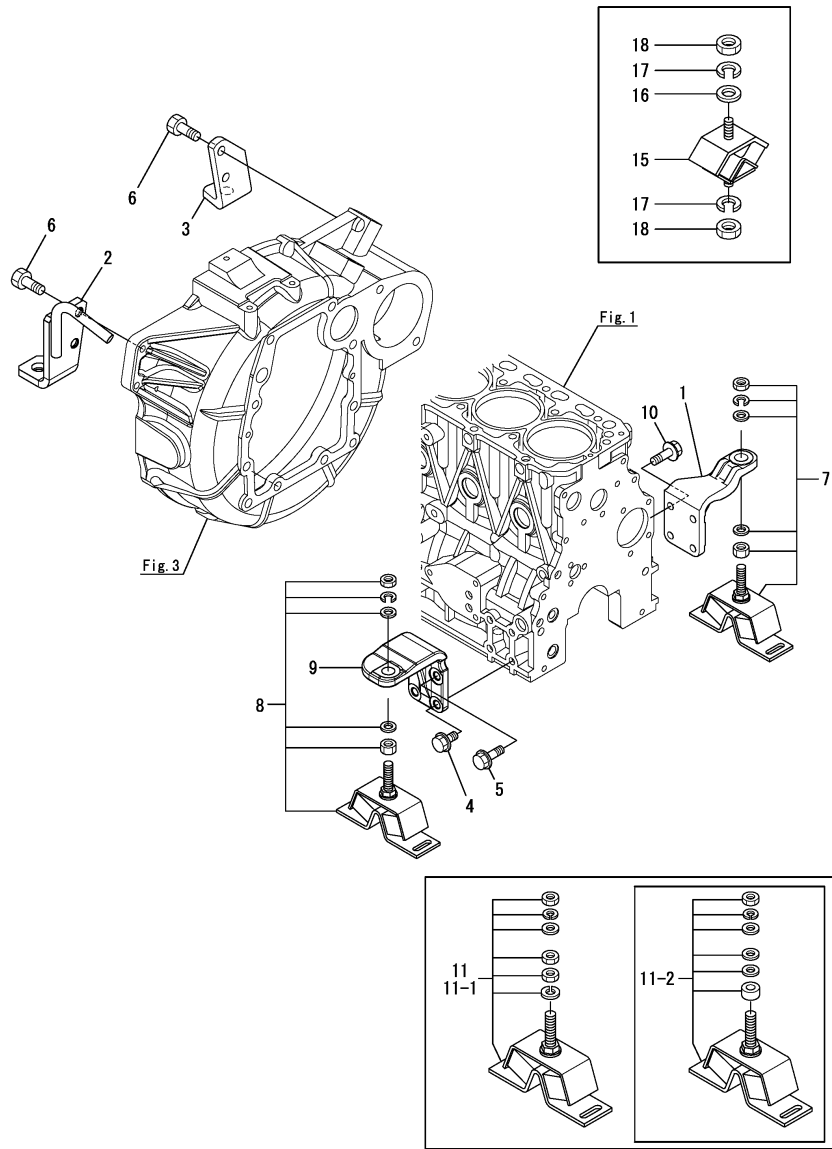


Fig.4. MOUNTING FOOT

(A)=3JH4E
(B)=
(C)=

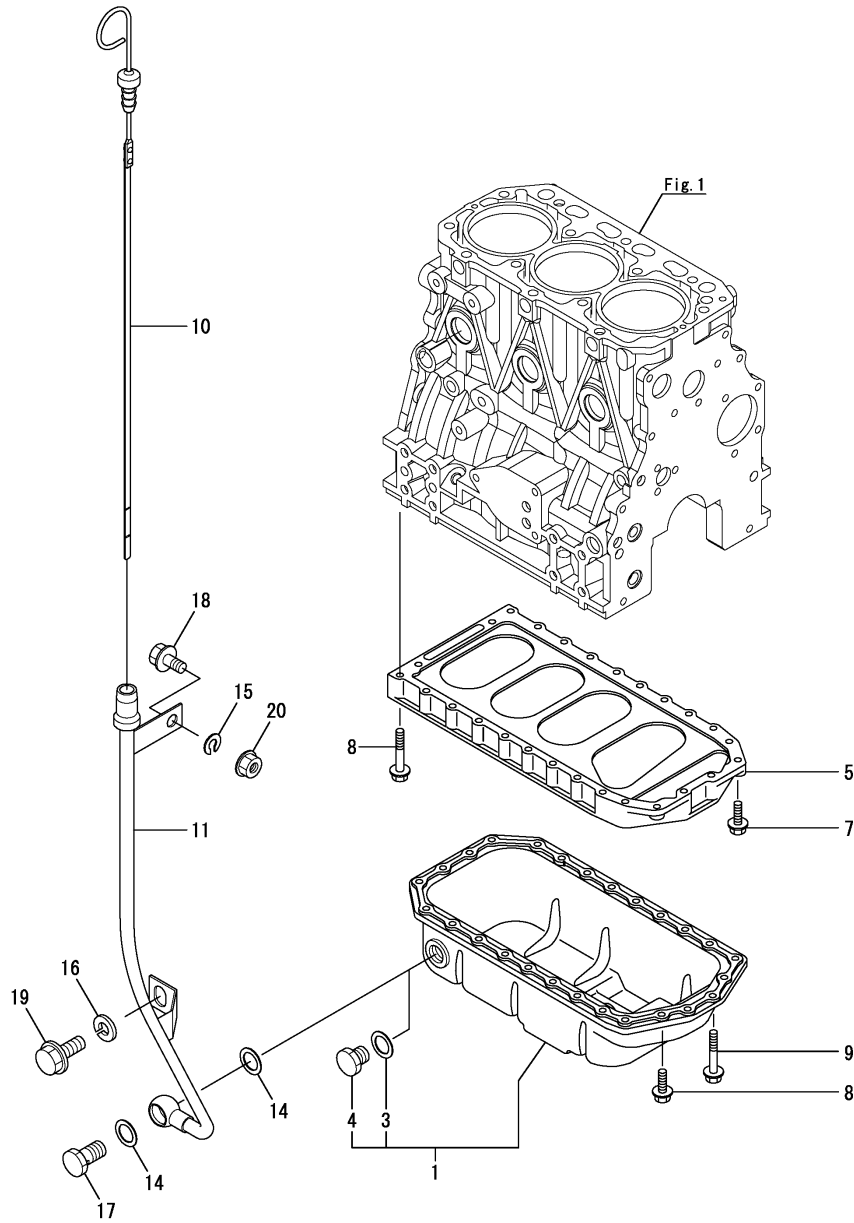
(D)=
(E)=
(F)=



| No. | Lev. | Parts No. | Description | Q'ty | | | | | | I | R |
|--------------|------|--------------|----------------------|------|-----|-----|-----|-----|-----|---|-----|
| | | | | (A) | (B) | (C) | (D) | (E) | (F) | | |
| 1 | 1 | 129670-08110 | FOOT | 1 | | | | | | | |
| 2 | 1 | 129670-08120 | FOOT | 1 | | | | | | | |
| 3 | 1 | 129670-08130 | FOOT | 1 | | | | | | | |
| 4 | 1 | 26106-100222 | BOLT, M10X 22 PLATED | 2 | | | | | | | |
| 5 | 1 | 26106-100302 | BOLT, M10X 30 PLATED | 2 | | | | | | | |
| 6 | 1 | 26116-120252 | BOLT, M12X 25 PLATED | 4 | | | | | | | |
| 7 | 1 | 129670-08340 | MOUNT, FLEXIBLE 150 | 2 | | | | | | | 1 |
| 7-1 | 1 | 129670-08341 | MOUNTING, FLEXIBLE | 2 | | | | | | | R 1 |
| (A=*2009.03) | | | | | | | | | | | |
| 8 | 1 | 128377-08350 | MOUNT, FLEXIBLE 100 | 2 | | | | | | | 1 |
| 8-1 | 1 | 128377-08351 | MOUNTING, FLEXIBLE | 2 | | | | | | | R 1 |
| (A=*2009.03) | | | | | | | | | | | |
| 9 | 1 | 129670-08100 | FOOT | 1 | | | | | | | |
| 10 | 1 | 26106-100222 | BOLT, M10X 22 PLATED | 4 | | | | | | | |
| 11 | 1 | 129670-08350 | MOUNT, FLEXIBLE 200 | 2 | | | | | | | 2 |
| 11-1 | 1 | 129670-08351 | MOUNTING, FLEXIBLE | 2 | | | | | | | R 2 |
| (A=*2009.03) | | | | | | | | | | | |
| 11-2 | 1 | 129271-08390 | MOUNT ASSY, FLEXIBLE | 2 | | | | | | | N 2 |
| (A=*2012.12) | | | | | | | | | | | |
| 15 | 1 | 196420-02310 | ABSORBER, SHOCK 230 | 1 | | | | | | | W 3 |
| (A=*2005.11) | | | | | | | | | | | |
| 16 | 1 | 196440-02390 | WASHER | 1 | | | | | | | W 3 |
| (A=*2005.11) | | | | | | | | | | | |
| 17 | 1 | 22217-120000 | WASHER, SPRING 12 | 2 | | | | | | | W 3 |
| (A=*2005.11) | | | | | | | | | | | |
| 18 | 1 | 26716-120002 | NUT, M12 | 2 | | | | | | | W 3 |
| (A=*2005.11) | | | | | | | | | | | |

Remarks
(1)For KM35A
(2)For SD40
(3)For SD

Fig.5. OIL SUMP

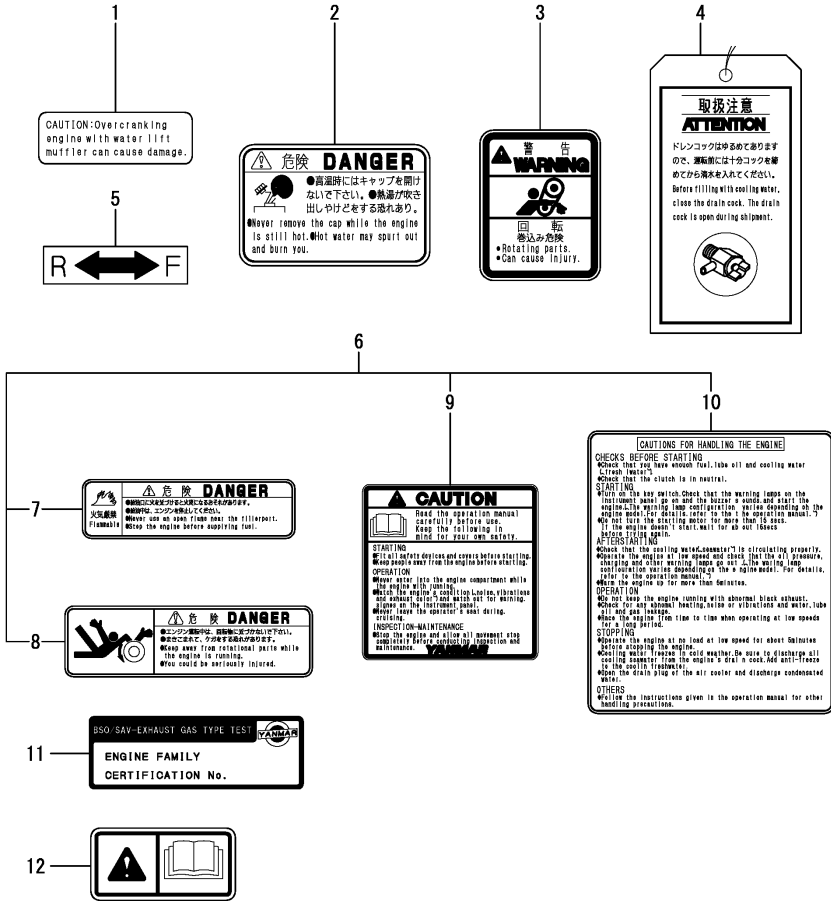


| No. | Lev. | Parts No. | Description | Q'ty | | | | | | I | R |
|------|------|--------------|----------------------|------|-----|-----|-----|-----|-----|---|---|
| | | | | (A) | (B) | (C) | (D) | (E) | (F) | | |
| 1 | 1 | 129271-01700 | SUMP ASSY, OIL | 1 | | | | | | | |
| 3 | 2 | 23414-140000 | GASKET, 14X1.0 | 1 | | | | | | | |
| 4 | 2 | 23887-140002 | PLUG M14 | 1 | | | | | | | |
| 5 | 1 | 129100-01730 | SPACER, OIL SUMP | 1 | | | | | | | |
| 7 | 1 | 26106-080252 | BOLT, M8X 25 PLATED | 2 | | | | | | | |
| 8 | 1 | 26106-080452 | BOLT, M8X 45 PLATED | 20 | | | | | | | |
| 9 | 1 | 26106-080162 | BOLT, M8X 16 PLATED | 4 | | | | | | | |
| 10 | 1 | 129670-34800 | DIPSTICK, OIL | 1 | | | | | | | |
| 11 | 1 | 129271-34880 | GUIDE ASSY, DIPSTICK | 1 | | | | | | | |
| 14 | 1 | 22190-140002 | WASHER, SEAL 14 | 2 | | | | | | | |
| 15 | 1 | 22217-080000 | WASHER, SPRING 8 | 1 | | | | | | | |
| 16 | 1 | 22217-100000 | WASHER, SPRING 10 | 1 | | | | | | | |
| 17 | 1 | 23857-080000 | BOLT, JOINT 8 | 1 | | | | | | | |
| 18 | 1 | 26106-080162 | BOLT, M8X 16 PLATED | 1 | | | | | | | |
| 19 | 1 | 26106-100122 | BOLT, M10X 12 PLATED | 1 | | | | | | | |
| 19-1 | 1 | 26106-100162 | BOLT, M10X 16 PLATED | 1 | | | | | | | R |
| | | (A=*2008.01) | | | | | | | | | |
| 20 | 1 | 26366-080002 | NUT, M8 | 1 | | | | | | | |

Fig.6. LABEL

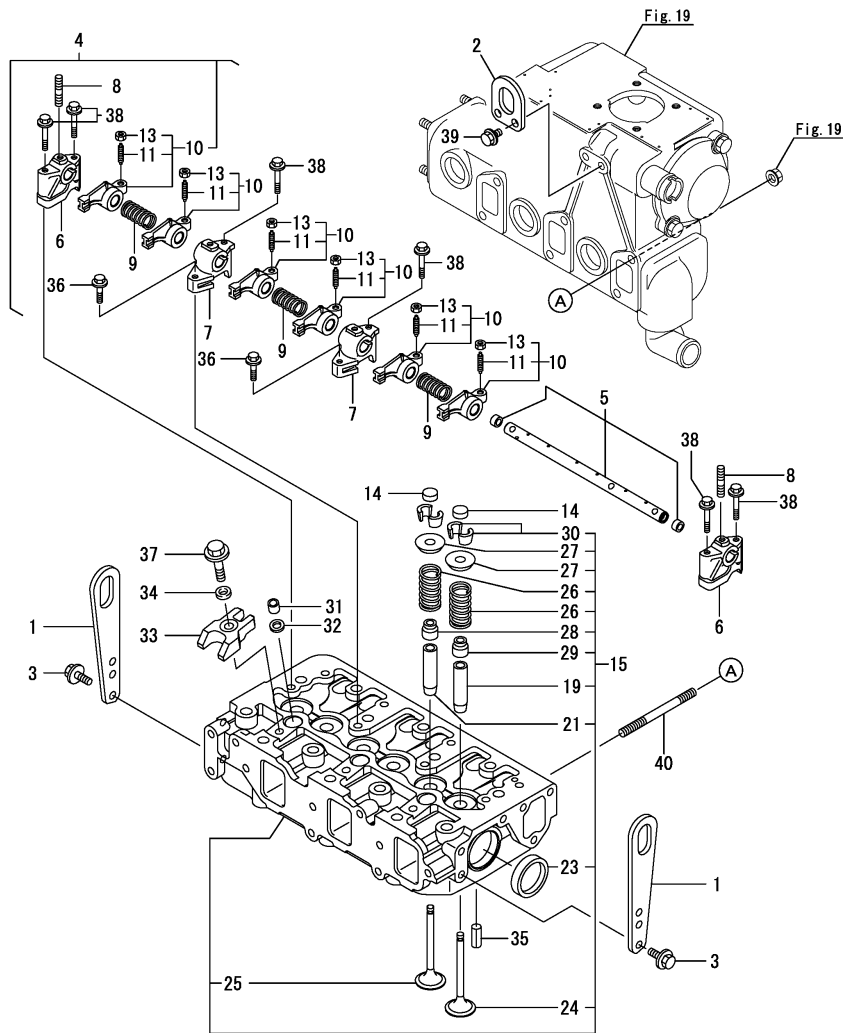
(A)=3JH4E
(B)=
(C)=

(D)=
(E)=
(F)=



| No. | Lev. | Parts No. | Description | (A) | (B) | (C) | (D) | (E) | (F) | Q'ty | I | R |
|-----|------|--------------|---------------------|-----|-----|-----|-----|-----|-----|------|---|---|
| 1 | 1 | 128377-07150 | LABEL, CAUTION | 1 | | | | | | | | |
| 2 | 1 | 128377-07260 | LABEL, PRESSURE CAP | 1 | | | | | | | | |
| 3 | 1 | 128377-07350 | LABEL, CAUTION | 1 | | | | | | | | |
| 4 | 1 | 123682-07852 | LABEL, CAUTION | 1 | | | | | | | | |
| 5 | 1 | 177088-02430 | LABEL | 1 | | | | | | | | |
| 6 | 1 | 128377-07190 | LABEL, LOOSE PARTS | 1 | | | | | | | | |
| 7 | 2 | 128377-07400 | LABEL, DANGER | 2 | | | | | | | | |
| 8 | 2 | 128377-07420 | LABEL, DANGER | 1 | | | | | | | | |
| 9 | 2 | 128377-07450 | LABEL, CAUTION | 1 | | | | | | | | |
| 10 | 2 | 128377-07460 | LABEL, CAUTION | 1 | | | | | | | | |
| 11 | 1 | 129271-07560 | LABEL, BSO | 1 | | | | | | | | |
| 12 | 1 | 196630-12980 | LABEL, CAUTION | 1 | | | | | | | | |

Fig.7. CYLINDER HEAD



(A)=3JH4E
(B)=
(C)=

(D)=
(E)=
(F)=

| No. | Lev. | Parts No. | Description | Q'ty | | | | | | I | R |
|--------------|------|--------------|---------------------|------|-----|-----|-----|-----|-----|---|---|
| | | | | (A) | (B) | (C) | (D) | (E) | (F) | | |
| 1 | 1 | 129900-07900 | LIFTER | 2 | | | | | | | |
| 2 | 1 | 129470-07230 | LIFTER | 1 | | | | | | | |
| 2-1 | 1 | 129670-07230 | LIFTER | 1 | | | | | | | R |
| (A=*2007.02) | | | | | | | | | | | |
| 2-2 | 1 | 129670-07230 | LIFTER | 1 | | | | | | | Z |
| (A=*2007.12) | | | | | | | | | | | |
| 3 | 1 | 26106-080162 | BOLT, M8X 16 PLATED | 4 | | | | | | | |
| 4 | 1 | 129004-11241 | SHAFT ASSY, ROCKER | 1 | | | | | | | |
| 5 | 2 | 129004-11251 | SHAFT, ROCKER ARM | 1 | | | | | | | |
| 6 | 2 | 119802-11260 | SUPPORT, ROCKER ARM | 2 | | | | | | | |
| 7 | 2 | 119802-11270 | SUPPORT, ROCKER ARM | 2 | | | | | | | |
| 8 | 2 | 119802-11280 | STUD | 3 | | | | | | | |
| 9 | 2 | 129150-11280 | SPRING | 3 | | | | | | | |
| 10 | 2 | 129004-11650 | ARM, ROCKER | 6 | | | | | | | |
| 11 | 3 | 129150-11230 | SCREW, VALVE ADJUST | 6 | | | | | | | |
| 13 | 3 | 129150-11750 | NUT, M8 | 6 | | | | | | | |
| 14 | 1 | 129150-11370 | CAP, VALVE | 6 | | | | | | | |
| 15 | 1 | 129271-11700 | HEAD ASSY, CYLINDER | 1 | | | | | | | |
| 19 | 2 | 120130-11860 | GUIDE, VALVE | 3 | | | | | | | 1 |
| 21 | 2 | 129150-11810 | GUIDE, VALVE | 3 | | | | | | | 1 |
| 23 | 2 | 27241-400000 | PLUG, 40 | 2 | | | | | | | |
| 24 | 2 | 129004-11100 | VALVE, INTAKE | 3 | | | | | | | |
| 24-1 | 2 | 129004-11101 | VALVE, INTAKE | 3 | | | | | | | R |
| (A=E02342) | | | | | | | | | | | |
| 24-2 | 2 | 129004-11130 | VALVE, INTAKE | 3 | | | | | | | R |
| (A=E02856) | | | | | | | | | | | |
| 25 | 2 | 129100-11110 | VALVE, EXHAUST | 3 | | | | | | | |
| 25-1 | 2 | 129100-11111 | VALVE, EXHAUST | 3 | | | | | | | R |
| (A=E02186) | | | | | | | | | | | |
| 25-2 | 2 | 129100-11112 | VALVE, EXHAUST | 3 | | | | | | | R |
| (A=E02856) | | | | | | | | | | | |
| 26 | 2 | 129795-11120 | SPRING, VALVE | 6 | | | | | | | |
| 27 | 2 | 129795-11180 | RETAINER, SPRING | 6 | | | | | | | |
| 28 | 2 | 121400-11340 | SEAL, VALVE STEM | 3 | | | | | | | |
| 29 | 2 | 124460-11340 | SEAL, VALVE STEM | 3 | | | | | | | |
| 30 | 2 | 27310-080001 | COTTER, 8 | 6 | | | | | | | |
| 31 | 1 | 119802-11870 | PROTECTOR, NOZZLE | 3 | | | | | | | |
| 32 | 1 | 119625-11880 | SEAT, NOZZLE | 3 | | | | | | | |
| 33 | 1 | 129004-11900 | RETAINER, NOZZLE | 3 | | | | | | | |
| 34 | 1 | 120270-54410 | WASHER, INJECTOR | 3 | | | | | | | |
| 35 | 1 | 22351-060012 | PIN, SPRING 6.0X12 | 2 | | | | | | | |
| 36 | 1 | 26106-080252 | BOLT, M8X 25 PLATED | 2 | | | | | | | |
| 37 | 1 | 26106-080352 | BOLT, M8X 35 PLATED | 3 | | | | | | | |
| 38 | 1 | 26106-080502 | BOLT, M8X 50 PLATED | 6 | | | | | | | |
| 39 | 1 | 26106-080162 | BOLT, M8X 16 PLATED | 2 | | | | | | | Z |
| (A=*2007.12) | | | | | | | | | | | |
| 40 | 1 | 129693-44300 | STUD | 2 | | | | | | | W |
| (A=E00409) | | | | | | | | | | | |

Remarks

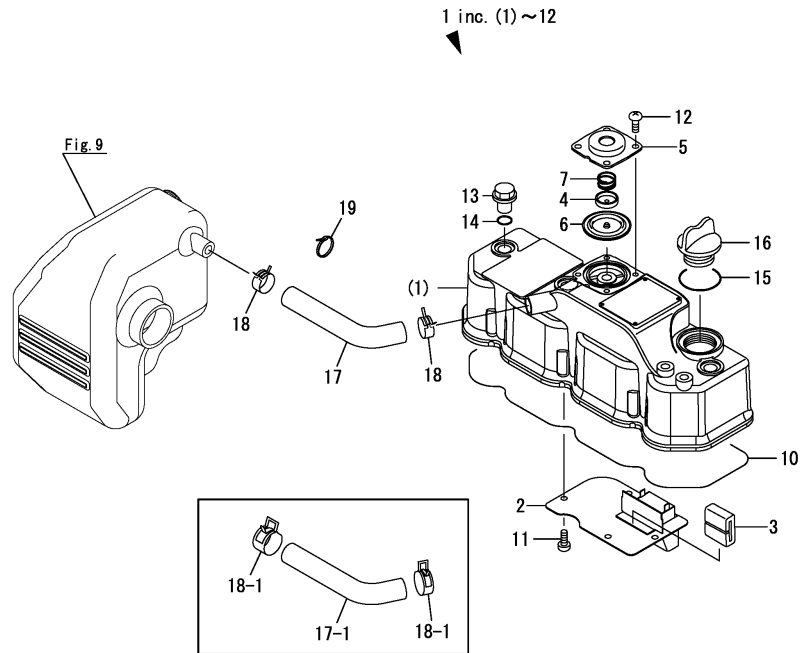
(1) Spare parts.

N:Old $\begin{matrix} \leftarrow \text{Yes} \\ \text{No} \end{matrix}$ New, Q:Old $\begin{matrix} \leftarrow \text{No} \\ \text{Yes} \end{matrix}$ New, R:Old $\begin{matrix} \leftarrow \text{Yes} \\ \text{Yes} \end{matrix}$ New, S:Old $\begin{matrix} \leftarrow \text{No} \\ \text{No} \end{matrix}$ New, W:Add, Z:Discontinued, F:Interchangeable by set, K:Q'ty Change

Fig.8. BONNET

(A)=3JH4E
(B)=
(C)=

(D)=
(E)=
(F)=



| No. | Lev. | Parts No. | Description | Q'ty | | | | | | I | R |
|--------------|------|--------------|-------------------|------|-----|-----|-----|-----|-----|---|-----|
| | | | | (A) | (B) | (C) | (D) | (E) | (F) | | |
| 1 | 1 | 129004-11350 | BONNET ASSY, HEAD | 1 | | | | | | | |
| 2 | 2 | 129004-03010 | PLATE | 1 | | | | | | | |
| 3 | 2 | 129150-03070 | BAFFLE, BREATHER | 1 | | | | | | | |
| 4 | 2 | 119802-03110 | PLATE | 1 | | | | | | | |
| 5 | 2 | 119802-03120 | COVER, DIAPHRAGM | 1 | | | | | | | |
| 5-1 | 2 | 119802-03121 | COVER, DIAPHRAGM | 1 | | | | | | | N |
| (A=E01247) | | | | | | | | | | | |
| 6 | 2 | 119802-03130 | DIAPHRAGM | 1 | | | | | | | |
| 7 | 2 | 119802-03140 | SPRING, DIAPHRAGM | 1 | | | | | | | |
| 7-1 | 2 | 119802-03141 | SPRING, DIAPHRAGM | 1 | | | | | | | R |
| (A=E01247) | | | | | | | | | | | |
| 10 | 2 | 129004-11310 | GASKET, BONNET | 1 | | | | | | | |
| 11 | 2 | 22857-500100 | SCREW, 5X10 | 4 | | | | | | | |
| 12 | 2 | 22857-500100 | SCREW, 5X10 | 4 | | | | | | | |
| 13 | 1 | 124160-11360 | KNOB | 3 | | | | | | | |
| 14 | 1 | 24311-000120 | O-RING, 1AP12.0 | 3 | | | | | | | |
| 15 | 1 | 24311-000320 | O-RING, 1AP32.0 | 1 | | | | | | | |
| 16 | 1 | 124160-01751 | COVER, FILLER | 1 | | | | | | | |
| 17 | 1 | 129271-03090 | PIPE, BREATHER | 1 | | | | | | | |
| 17-1 | 1 | 129271-03091 | PIPE, BREATHER | 1 | | | | | | | S 1 |
| (A=*2010.06) | | | | | | | | | | | |
| 18 | 1 | 129410-03990 | CLIP, HOSE 21.5 | 2 | | | | | | | |
| 18-1 | 1 | 124398-49700 | CLIP, HOSE 24.0 | 2 | | | | | | | S 1 |
| (A=*2010.06) | | | | | | | | | | | |
| 19 | 1 | 128990-59890 | BAND,200 | 1 | | | | | | | |

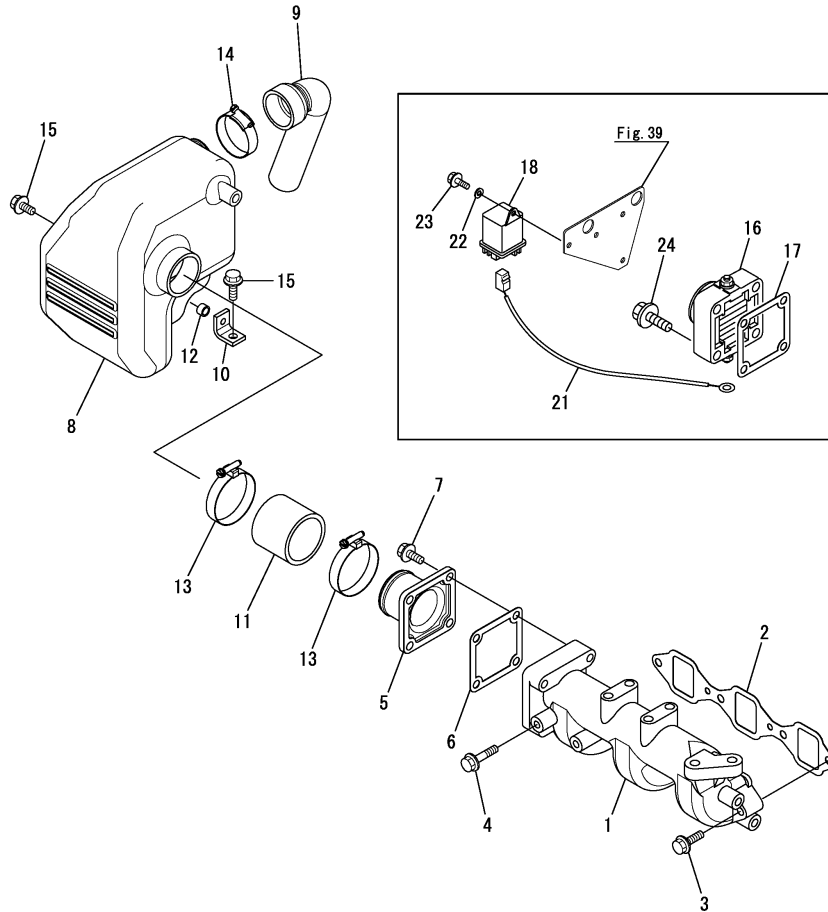
Remarks

(1)Interchangeable by simultaneous replacement with No.17-1, 18-1.

Fig.9. SUCTION MANIFOLD

(A)=3JH4E
(B)=
(C)=

(D)=
(E)=
(F)=



| No. | Lev. | Parts No. | Description | Q'ty | | | | | | I | R |
|--------------|------|--------------|----------------------|------|-----|-----|-----|-----|-----|---|-----|
| | | | | (A) | (B) | (C) | (D) | (E) | (F) | | |
| 1 | 1 | 129170-12100 | MANIFOLD, AIR INTAKE | 1 | | | | | | | |
| 2 | 1 | 129150-12111 | GASKET, MANIFOLD | 1 | | | | | | | |
| 3 | 1 | 26106-080252 | BOLT, M8X 25 PLATED | 3 | | | | | | | |
| 4 | 1 | 26106-080352 | BOLT, M8X 35 PLATED | 1 | | | | | | | |
| 5 | 1 | 129486-12581 | JOINT, MANIFOLD | 1 | | | | | | | |
| 6 | 1 | 129150-77511 | GASKET | 1 | | | | | | | |
| 7 | 1 | 26106-080202 | BOLT, M8X 20 PLATED | 4 | | | | | | | |
| 8 | 1 | 129271-12310 | SILENCER | 1 | | | | | | | |
| 8-1 | 1 | 129271-12311 | SILENCER | 1 | | | | | | | N |
| (A=*2006.08) | | | | | | | | | | | |
| 9 | 1 | 129271-12350 | PIPE, SILENCER | 1 | | | | | | | |
| 10 | 1 | 129271-12410 | BRACKET, SILENCER | 1 | | | | | | | |
| 11 | 1 | 129271-12810 | PIPE,SUC AIR | 1 | | | | | | | |
| 12 | 1 | 105100-55540 | COLLAR | 1 | | | | | | | |
| 12-1 | 1 | 128990-77430 | COLLAR | 1 | | | | | | | R |
| (A=*2004.03) | | | | | | | | | | | |
| 13 | 1 | 23000-060000 | CLAMP, 60 | 2 | | | | | | | |
| 14 | 1 | 23000-048000 | CLAMP, 48 | 1 | | | | | | | |
| 15 | 1 | 26106-080162 | BOLT, M8X 16 PLATED | 2 | | | | | | | |
| 16 | 1 | 129120-77501 | HEATER | 1 | | | | | | | 1 |
| 16-1 | 1 | 129120-77502 | HEATER | 1 | | | | | | | R 1 |
| (A=*2006.07) | | | | | | | | | | | |
| 17 | 1 | 129100-77510 | GASKET | 1 | | | | | | | 1 |
| 18 | 1 | 128990-77910 | RELAY, GROW | 1 | | | | | | | 1 |
| 18-1 | 1 | 128990-77911 | RELAY ASSY, GLOW | 1 | | | | | | | N 1 |
| (A=*2010.11) | | | | | | | | | | | |
| 21 | 1 | 129271-77920 | HARNES, WIRE | 1 | | | | | | | 1 |
| 21-1 | 1 | 129271-77921 | HARNES,WIRE(HEATER) | 1 | | | | | | | R 1 |
| (A=*2005.05) | | | | | | | | | | | |
| 22 | 1 | 22217-060000 | WASHER, SPRING 6 | 1 | | | | | | | 1 |
| 23 | 1 | 26106-060082 | BOLT, M6X 8 PLATED | 1 | | | | | | | 1 |
| 24 | 1 | 26106-080352 | BOLT, M8X 35 PLATED | 4 | | | | | | | 1 |

Remarks

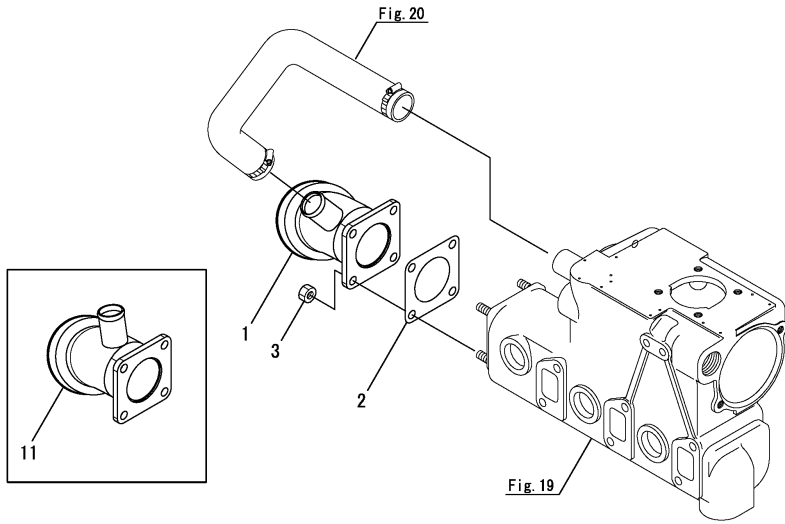
(1)Optional parts.

N:Old $\begin{matrix} \leftarrow \text{Yes} \\ \text{No} \end{matrix}$ New, Q:Old $\begin{matrix} \leftarrow \text{No} \\ \text{Yes} \end{matrix}$ New, R:Old $\begin{matrix} \leftarrow \text{Yes} \\ \text{No} \end{matrix}$ New, S:Old $\begin{matrix} \leftarrow \text{No} \\ \text{Yes} \end{matrix}$ New, W:Add, Z:Discontinued, F:Interchangeable by set, K:Q'ty Change

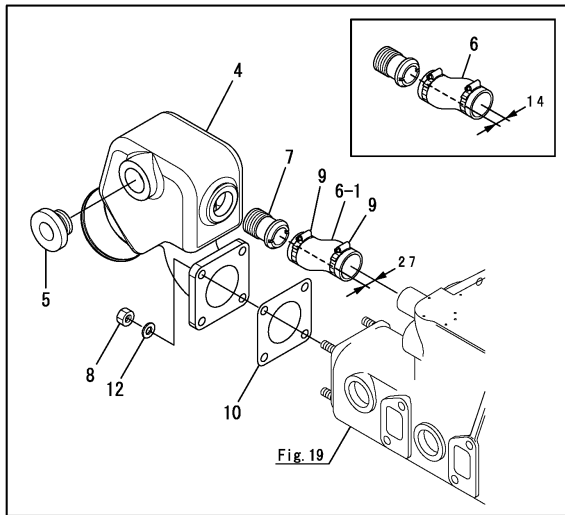
Fig.10. MIXING ELBOW

(A)=3JH4E
(B)=
(C)=

(D)=
(E)=
(F)=

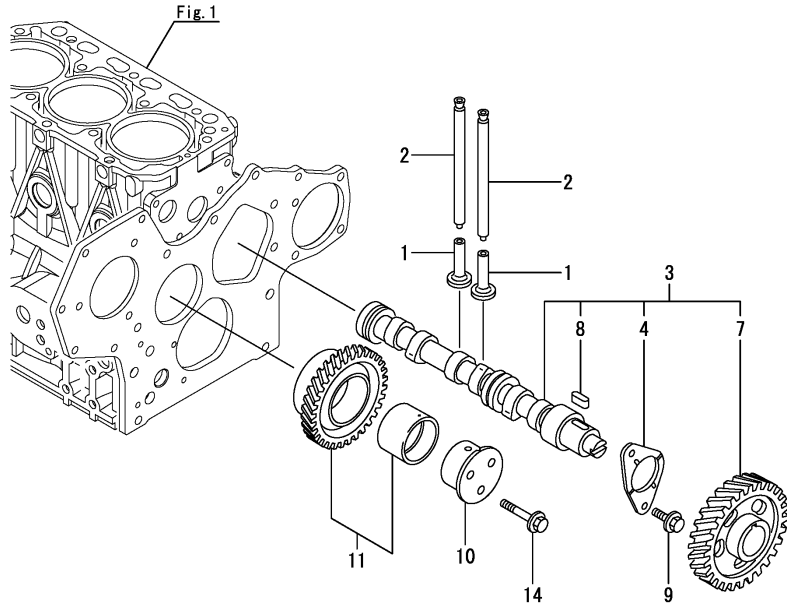


| No. | Lev. | Parts No. | Description | Q'ty | | | | | | I | R |
|--------------|------|--------------|---------------|------|-----|-----|-----|-----|-----|---|-----|
| | | | | (A) | (B) | (C) | (D) | (E) | (F) | | |
| 1 | 1 | 129670-13560 | ELBOW | 1 | | | | | | | |
| 1-1 | 1 | 129670-13561 | ELBOW | 1 | | | | | | | N |
| (A=*2007.11) | | | | | | | | | | | |
| 2 | 1 | 129472-18090 | GASKET | 1 | | | | | | | |
| 3 | 1 | 26703-080002 | NUT, M8 | 4 | | | | | | | 1 |
| 4 | 1 | 129470-13541 | ELBOW | 1 | | | | | | | 1 |
| 5 | 1 | 129472-13560 | PLUG, PT3/4 | 1 | | | | | | | 1 |
| 6 | 1 | 129670-49200 | PIPE, WATER | 1 | | | | | | | 1 |
| 6-1 | 1 | 129670-49280 | PIPE, WATER | 1 | | | | | | | S 1 |
| (A=E00395) | | | | | | | | | | | |
| 7 | 1 | 123325-49421 | JOINT, PIPE | 1 | | | | | | | 1 |
| 8 | 1 | 26703-080002 | NUT, M8 | 4 | | | | | | | 1 |
| 9 | 1 | 129670-49500 | CLIP, HOSE 38 | 2 | | | | | | | 1 |
| 10 | 1 | 129472-18090 | GASKET | 1 | | | | | | | 1 |
| 11 | 1 | 129670-13580 | ELBOW | 1 | | | | | | | W 1 |
| (A=*2005.12) | | | | | | | | | | | |
| 11-1 | 1 | 129670-13580 | ELBOW | 1 | | | | | | | Z 1 |
| (A=*2007.11) | | | | | | | | | | | |
| 12 | 1 | 22137-080000 | WASHER, 8 | 4 | | | | | | | W 1 |
| (A=*2004.11) | | | | | | | | | | | |



Remarks
(1)Optional parts.

Fig.11. CAMSHAFT

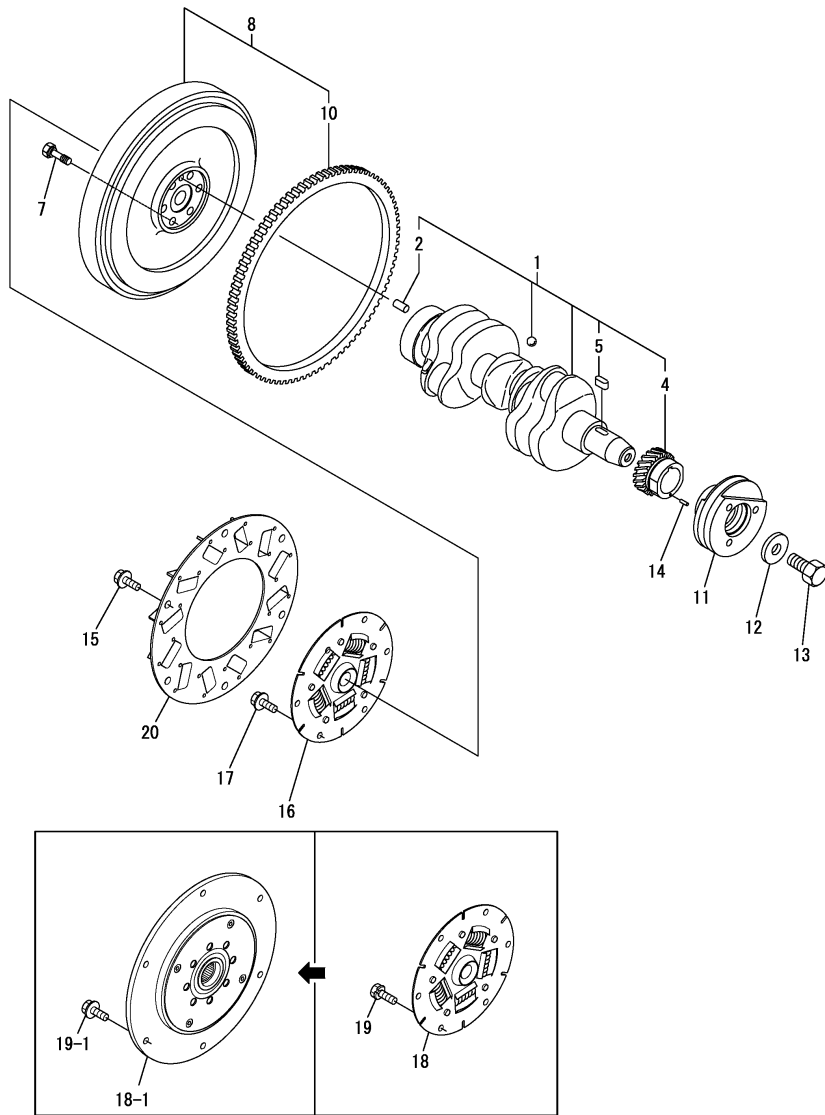


(A)=3JH4E
(B)=
(C)=

(D)=
(E)=
(F)=

| No. | Lev. | Parts No. | Description | Q'ty | | | | | | I | R |
|------|------|--------------|---------------------|------|-----|-----|-----|-----|-----|---|---|
| | | | | (A) | (B) | (C) | (D) | (E) | (F) | | |
| 1 | 1 | 129150-14200 | TAPPET | 6 | | | | | | | |
| 2 | 1 | 129150-14400 | ROD, PUSH L=178 | 6 | | | | | | | |
| 3 | 1 | 129129-14580 | CAMSHAFT ASSY | 1 | | | | | | | |
| 4 | 2 | 129150-02450 | BEARING, THRUST | 1 | | | | | | | |
| 7 | 2 | 129150-14101 | GEAR, CAMSHAFT | 1 | | | | | | | |
| 8 | 2 | 22512-070140 | KEY, 7X 14 | 1 | | | | | | | |
| 9 | 1 | 26106-080142 | BOLT, M8X 14 PLATED | 2 | | | | | | | |
| 10 | 1 | 119802-25051 | SHAFT, IDLE | 1 | | | | | | | |
| 11 | 1 | 119802-25100 | GEAR ASSY, IDLE | 1 | | | | | | | |
| 11-1 | 1 | 119802-25101 | GEAR ASSY, IDLE | 1 | | | | | | | N |
| | | (A=E03798) | | | | | | | | | |
| 14 | 1 | 26106-080402 | BOLT, M8X 40 PLATED | 3 | | | | | | | |

Fig.12. CRANKSHAFT & FLYWHEEL



(A)=3JH4E
(B)=
(C)=

(D)=
(E)=
(F)=

| No. | Lev. | Parts No. | Description | Q'ty | | | | | | I | R |
|--------------|------|--------------|---------------------|------|-----|-----|-----|-----|-----|---|-----|
| | | | | (A) | (B) | (C) | (D) | (E) | (F) | | |
| 1 | 1 | 129004-21001 | CRANKSHAFT ASSY | 1 | | | | | | | |
| 1-1 | 1 | 129004-21002 | CRANKSHAFT ASSY | 1 | | | | | | | N |
| (A=E01149) | | | | | | | | | | | |
| 2 | 2 | 129100-01580 | PIN, 8X16 | 1 | | | | | | | |
| 4 | 2 | 119802-21201 | GEAR, CRANKSHAFT | 1 | | | | | | | |
| 4-1 | 2 | 119802-21202 | GEAR, CRANKSHAFT | 1 | | | | | | | N |
| (A=E01149) | | | | | | | | | | | |
| 5 | 2 | 22512-070140 | KEY, 7X 14 | 1 | | | | | | | |
| 7 | 1 | 121111-21501 | BOLT, FLYWHEEL | 6 | | | | | | | |
| 8 | 1 | 129270-21591 | FLYWHEEL ASSY | 1 | | | | | | | |
| 10 | 2 | 119865-21600 | GEAR, RING | 1 | | | | | | | |
| 11 | 1 | 129005-21650 | V-PULLEY, 120 | 1 | | | | | | | |
| 12 | 1 | 129795-21661 | WASHER | 1 | | | | | | | |
| 13 | 1 | 121850-21680 | BOLT | 1 | | | | | | | |
| 14 | 1 | 22351-030010 | PIN, SPRING 3.0X10 | 1 | | | | | | | |
| 15 | 1 | 26013-080142 | BOLT, M8X 14 | 6 | | | | | | | 1 |
| 16 | 1 | 177070-03520 | DISK, DAMPER D190 | 1 | | | | | | | 1 |
| 17 | 1 | 26106-080162 | BOLT, M8X 16 PLATED | 6 | | | | | | | 1 |
| 18 | 1 | 177099-03500 | DISK, DAMPER | 1 | | | | | | | 2 |
| 18-1 | 1 | 196440-04310 | COUPLING, 250 SP10 | 1 | | | | | | | F 3 |
| (A=*2004.04) | | | | | | | | | | | |
| 19 | 1 | 26013-080142 | BOLT, M8X 14 | 6 | | | | | | | 2 |
| 19-1 | 1 | 26106-080222 | BOLT, M8X 22 PLATED | 6 | | | | | | | F 3 |
| (A=*2004.04) | | | | | | | | | | | |
| 19-2 | 1 | 26106-080202 | BOLT, M8X 20 PLATED | 6 | | | | | | | R |
| (A=*2008.01) | | | | | | | | | | | |
| 20 | 1 | 129670-81850 | FAN, FLYWHEEL | 1 | | | | | | | |

Remarks

(1)For KM35P, KM35A

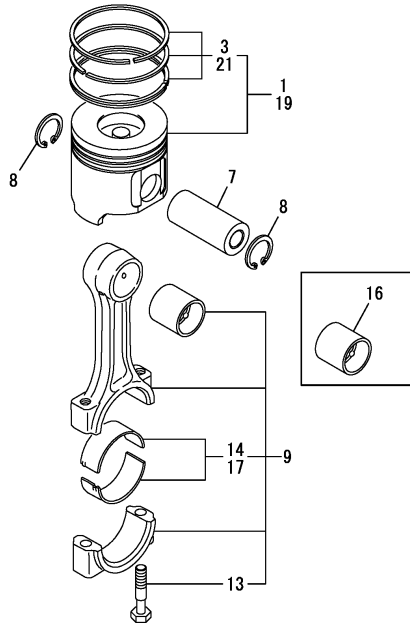
(2)For SD40

(3)Interchangeable by simultaneous replacement with No.18-1, 19-1.

Fig.13. PISTON & CONNECTING ROD

(A)=3JH4E
(B)=
(C)=

(D)=
(E)=
(F)=

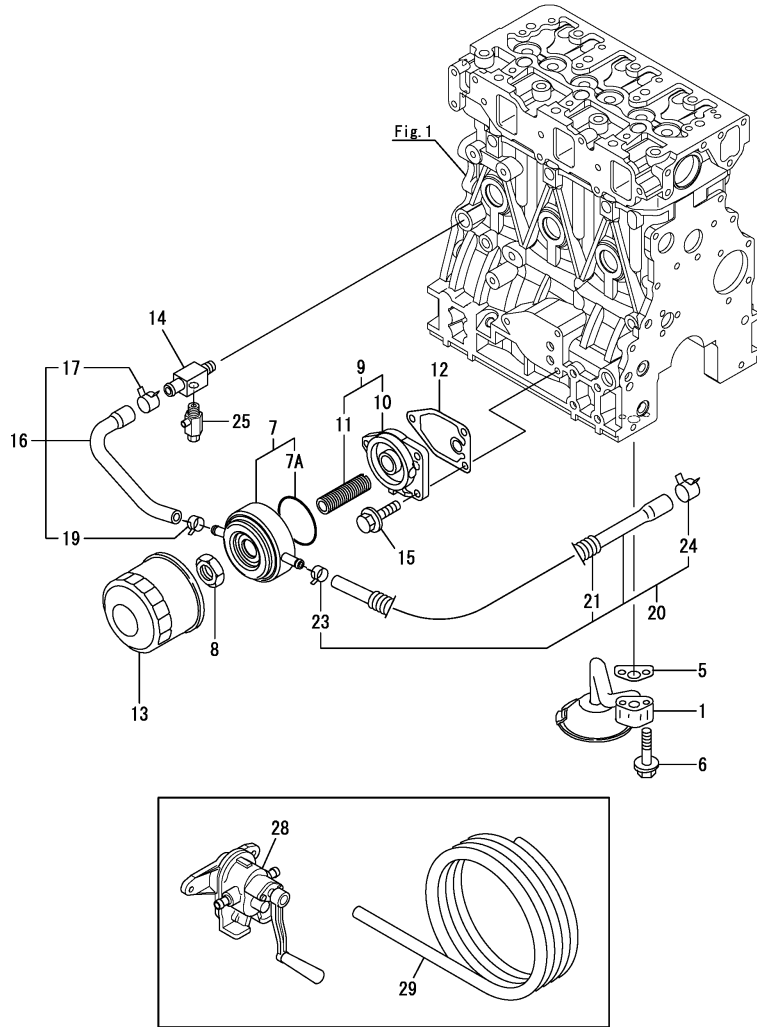


| No. | Lev. | Parts No. | Description | Q'ty | | | | | | I | R |
|------------|------|--------------|----------------------|------|-----|-----|-----|-----|-----|---|---|
| | | | | (A) | (B) | (C) | (D) | (E) | (F) | | |
| 1 | 1 | 129005-22080 | PISTON ASSY | 3 | | | | | | | |
| 3 | 2 | 129005-22500 | RING SET, PISTON | 3 | | | | | | | |
| 7 | 1 | 129202-22300 | PIN, PISTON D26 L70 | 3 | | | | | | | |
| 8 | 1 | 22252-000260 | RING, 26 | 6 | | | | | | | |
| 9 | 1 | 729402-23100 | ROD ASSY, CONNECTING | 3 | | | | | | | |
| 13 | 3 | 121550-23200 | BOLT, CONNECTING ROD | 6 | | | | | | | |
| 14 | 2 | 129150-23600 | BEARING, CRANK PIN | 3 | | | | | | | |
| 14-1 | 2 | 129150-23601 | BEARING, CRANK PIN | 3 | | | | | | | N |
| (A=E04680) | | | | | | | | | | | |
| 16 | 1 | 129100-23910 | BEARING, PISTON PIN | 3 | | | | | | | 1 |
| 17 | 1 | 129150-23610 | BEARING, 0.25 US | 3 | | | | | | | 2 |
| 19 | 1 | 129005-22900 | PISTON ASSY, 0.25 OS | 3 | | | | | | | 3 |
| 21 | 2 | 129005-22950 | RING SET, 0.25 OS | 3 | | | | | | | 3 |

Remarks

- (1) Spare parts.
- (2) Under-sized (U.S.=0.25) parts.
- (3) Over-sized (O.S.=0.25) parts.

Fig.14. LUB. OIL SYSTEM



(A)=3JH4E
(B)=
(C)=

(D)=
(E)=
(F)=

| No. | Lev. | Parts No. | Description | Q'ty | | | | | | I | R |
|--------------|------|--------------|----------------------|------|-----|-----|-----|-----|-----|---|-----|
| | | | | (A) | (B) | (C) | (D) | (E) | (F) | | |
| 1 | 1 | 129150-35091 | PIPE ASSY, OIL INLET | 1 | | | | | | | |
| 5 | 1 | 129150-35042 | GASKET | 1 | | | | | | | |
| 6 | 1 | 26106-080352 | BOLT, M8X 35 PLATED | 2 | | | | | | | |
| 7 | 1 | 129508-33010 | COOLER ASSY, OIL | 1 | | | | | | | |
| 7A | 2 | 129508-33050 | O-RING | 1 | | | | | | | W |
| (A=FROM 1ST) | | | | | | | | | | | |
| 8 | 1 | 129417-33110 | NUT | 1 | | | | | | | |
| 8-1 | 1 | 129417-33111 | NUT, OIL COOLER | 1 | | | | | | | R |
| (A=*2012.03) | | | | | | | | | | | |
| 9 | 1 | 129006-35100 | BRACKET ASSY, FILTER | 1 | | | | | | | |
| 10 | 2 | 119802-35110 | BRACKET, FILTER | 1 | | | | | | | |
| 11 | 2 | 129417-35150 | STUD, L=67 | 1 | | | | | | | |
| 12 | 1 | 129150-35111 | GASKET | 1 | | | | | | | |
| 13 | 1 | 119305-35150 | FILTER, OIL | 1 | | | | | | | |
| 13-1 | 1 | 119305-35151 | FILTER ASSY, D68XL65 | 1 | | | | | | | R |
| (A=E00409) | | | | | | | | | | | |
| 14 | 1 | 129006-44480 | JOINT | 1 | | | | | | | |
| 15 | 1 | 26106-080202 | BOLT, M8X 20 PLATED | 3 | | | | | | | |
| 16 | 1 | 129508-49030 | PIPE ASSY, WATER | 1 | | | | | | | |
| 17 | 2 | 171008-03990 | CLIP, HOSE 18.5 | 1 | | | | | | | |
| 19 | 2 | 23080-015000 | CLAMP, 15 | 1 | | | | | | | |
| 20 | 1 | 129508-49040 | PIPE ASSY, WATER | 1 | | | | | | | |
| 21 | 2 | 119940-59130 | TUBE, CORRUGATED | 1 | | | | | | | |
| 23 | 2 | 23080-015000 | CLAMP, 15 | 1 | | | | | | | |
| 24 | 2 | 23080-018000 | CLAMP, 18 | 1 | | | | | | | |
| 24-1 | 2 | 171008-03990 | CLIP, HOSE 18.5 | 1 | | | | | | | R |
| (A=E00409) | | | | | | | | | | | |
| 25 | 1 | 119620-49290 | COCK ASSY, 1/4 | 1 | | | | | | | |
| 28 | 1 | 124413-39100 | PUMP ASSY, WASTE | 1 | | | | | | | 1 |
| 29 | 1 | 43720-001220 | PIPE | 1 | | | | | | | 1 |
| 29-1 | 1 | 129670-39990 | HOSE,OIL DRAIN 3M | 1 | | | | | | | R 1 |
| (A=*2008.01) | | | | | | | | | | | |

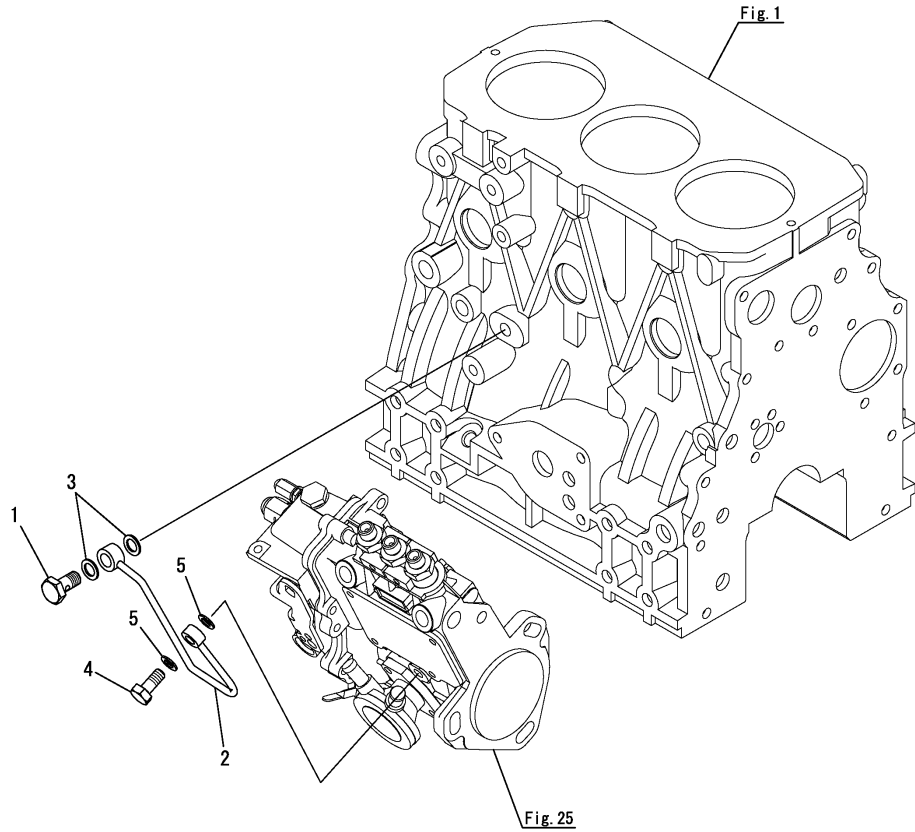
Remarks

(1)Optional parts.

Fig.15. LUB. OIL PIPE

(A)=3JH4E
(B)=
(C)=

(D)=
(E)=
(F)=



| No. | Lev. | Parts No. | Description | Q'ty | | | | | | I | R |
|-----|------|--------------|----------------------|------|-----|-----|-----|-----|-----|---|---|
| | | | | (A) | (B) | (C) | (D) | (E) | (F) | | |
| 1 | 1 | 124160-39140 | BOLT, PIPE JOINT M10 | 1 | | | | | | | |
| 2 | 1 | 129271-39450 | PIPE ASSY, OIL | 1 | | | | | | | |
| 3 | 1 | 22190-100002 | WASHER, SEAL 10 | 2 | | | | | | | |
| 4 | 1 | 124550-59820 | BOLT, PIPE JOINT M8 | 1 | | | | | | | |
| 5 | 1 | 22190-080002 | WASHER, SEAL 8 | 2 | | | | | | | |

Fig.16. COOLING SEA WATER PUMP

(A)=3JH4E
(B)=
(C)=

(D)=
(E)=
(F)=

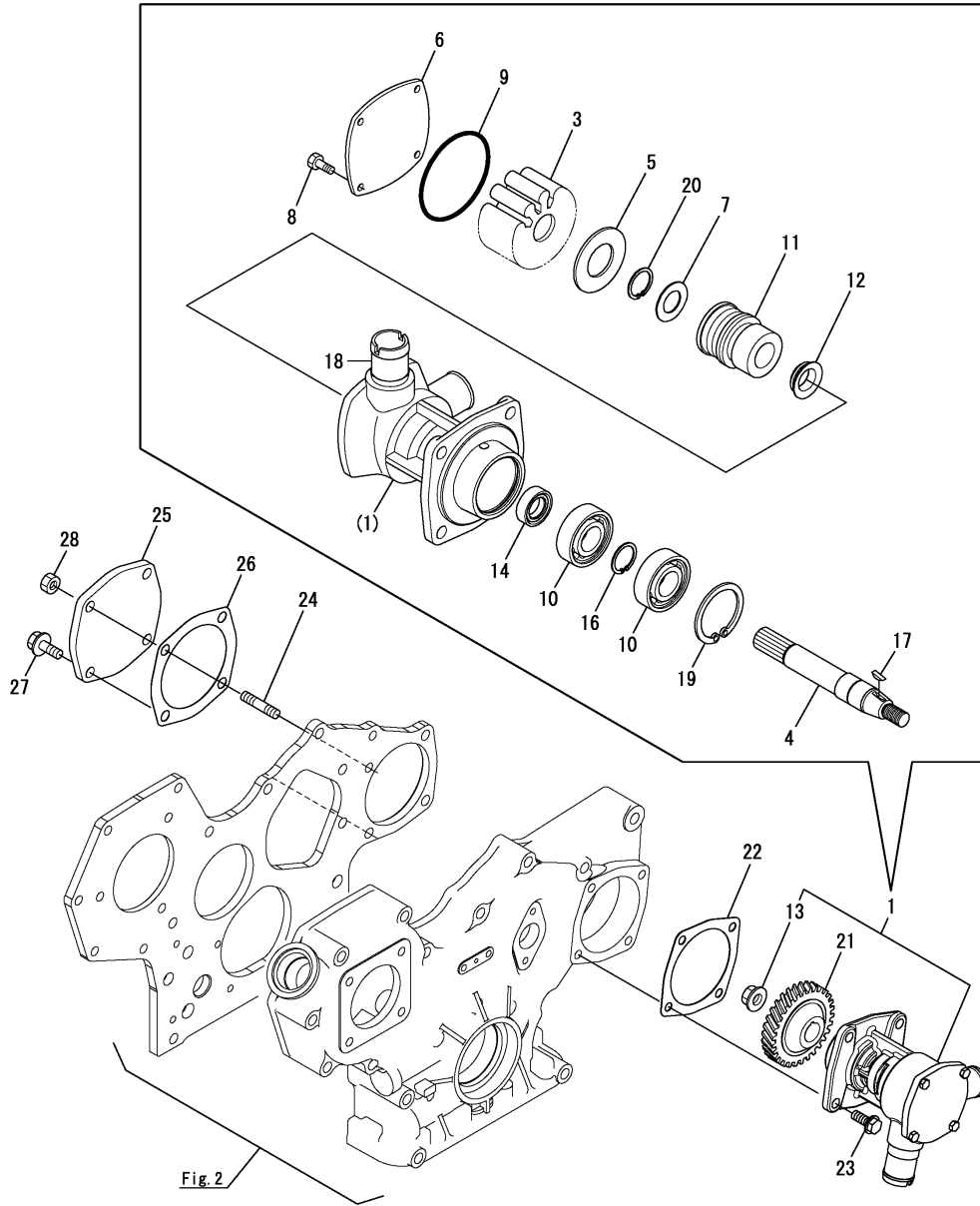


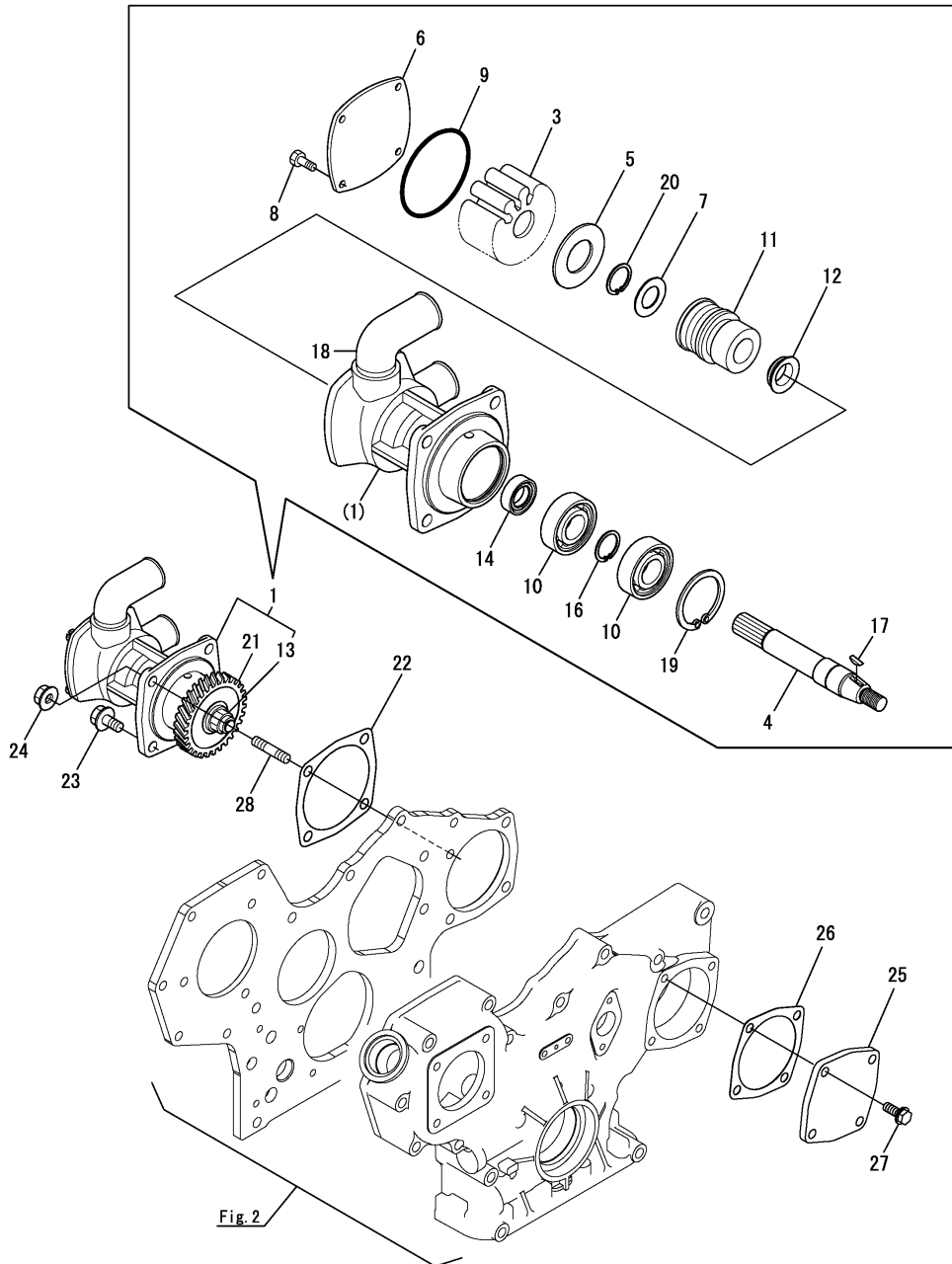
Fig. 2

| No. | Lev. | Parts No. | Description | Qty | | | | | | I | R |
|---------------|------|--------------|---------------------|-----|-----|-----|-----|-----|-----|---|---|
| | | | | (A) | (B) | (C) | (D) | (E) | (F) | | |
| 1 | 1 | 129271-42500 | PUMP ASSY, WATER | 1 | | | | | | | |
| 1-1 | 1 | 129271-42501 | PUMP ASSY, WATER | 1 | | | | | | | N |
| (A=*2005.06.) | | | | | | | | | | | |
| 3 | 2 | 129670-42530 | IMPELLER | 1 | | | | | | | |
| 3-1 | 2 | 129670-42531 | IMPELLER | 1 | | | | | | | N |
| (A=*2005.06.) | | | | | | | | | | | |
| 4 | 2 | X0146531 | SHAFT | 1 | | | | | | | |
| 5 | 2 | 129670-42540 | PLATE | 1 | | | | | | | |
| 6 | 2 | 129670-42520 | COVER | 1 | | | | | | | |
| 7 | 2 | 129670-42550 | WASHER | 1 | | | | | | | |
| 8 | 2 | 129271-42510 | SCREW | 4 | | | | | | | |
| 9 | 2 | 119773-42570 | O-RING | 1 | | | | | | | |
| 10 | 2 | X03431483 | BEARING | 2 | | | | | | | |
| 11 | 2 | 129670-42560 | SEAL, MECHANICAL | 1 | | | | | | | |
| 12 | 2 | X02230015 | RING | 1 | | | | | | | |
| 13 | 2 | X00190001 | NUT, LOCK | 1 | | | | | | | |
| 14 | 2 | X02233001 | SEAL, LIP | 1 | | | | | | | |
| 16 | 2 | X00370017 | CIRCLIP | 1 | | | | | | | |
| 17 | 2 | 129670-42580 | KEY | 1 | | | | | | | |
| 18 | 2 | 123325-49421 | JOINT, PIPE | 1 | | | | | | | |
| 19 | 2 | X00371040 | CIRCLIP | 1 | | | | | | | |
| 20 | 2 | 129670-42570 | CIRCLIP | 1 | | | | | | | |
| 21 | 1 | 129271-42700 | GEAR, PUMP | 1 | | | | | | | |
| 22 | 1 | 129150-01881 | GASKET | 1 | | | | | | | |
| 23 | 1 | 26106-080202 | BOLT, M8X 20 PLATED | 4 | | | | | | | |
| 24 | 1 | 121450-01560 | STUD, M8X22 | 1 | | | | | | | |
| 25 | 1 | 124240-01871 | COVER | 1 | | | | | | | |
| 26 | 1 | 129150-01881 | GASKET | 1 | | | | | | | |
| 26-1 | 1 | 129C26-01890 | GASKET, HO-P | 1 | | | | | | | R |
| (A=*2012.06.) | | | | | | | | | | | |
| 27 | 1 | 26106-080252 | BOLT, M8X 25 PLATED | 3 | | | | | | | |
| 28 | 1 | 26306-080002 | NUT, M8 | 1 | | | | | | | |

Fig.17. COOLING SEA WATER PUMP(OPTIONAL)

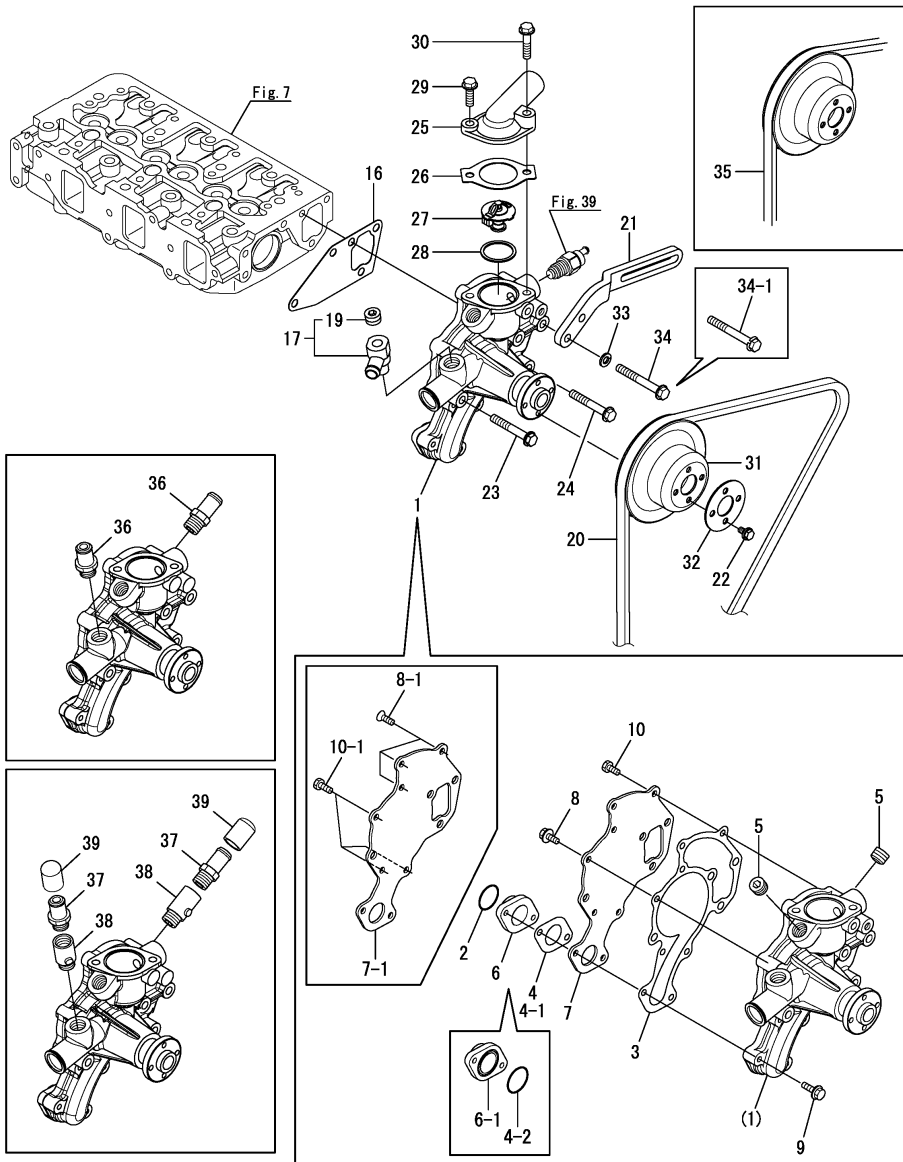
(A)=3JH4E
(B)=
(C)=

(D)=
(E)=
(F)=



| No. | Lev. | Parts No. | Description | Q'ty | | | | | | I | R |
|---------------|------|--------------|---------------------|------|-----|-----|-----|-----|-----|---|---|
| | | | | (A) | (B) | (C) | (D) | (E) | (F) | | |
| 1 | 1 | 129670-42511 | PUMP ASSY, WATER | 1 | | | | | | | |
| 2-1 | 1 | 129670-42512 | PUMP ASSY, WATER | 1 | | | | | | | N |
| (A=*2005.06.) | | | | | | | | | | | |
| 3 | 2 | 129670-42530 | IMPELLER | 1 | | | | | | | |
| 3-1 | 2 | 129670-42531 | IMPELLER | 1 | | | | | | | N |
| (A=*2005.06.) | | | | | | | | | | | |
| 4 | 2 | X0146531 | SHAFT | 1 | | | | | | | |
| 5 | 2 | 129670-42540 | PLATE | 1 | | | | | | | |
| 6 | 2 | 129670-42520 | COVER | 1 | | | | | | | |
| 7 | 2 | 129670-42550 | WASHER | 1 | | | | | | | |
| 8 | 2 | 129271-42510 | SCREW | 4 | | | | | | | |
| 9 | 2 | 119773-42570 | O-RING | 1 | | | | | | | |
| 10 | 2 | X03431483 | BEARING | 2 | | | | | | | |
| 11 | 2 | 129670-42560 | SEAL, MECHANICAL | 1 | | | | | | | |
| 12 | 2 | X02230015 | RING | 1 | | | | | | | |
| 13 | 2 | X00190001 | NUT, LOCK | 1 | | | | | | | |
| 14 | 2 | X02233001 | SEAL, LIP | 1 | | | | | | | |
| 16 | 2 | X00370017 | CIRCLIP | 1 | | | | | | | |
| 17 | 2 | 129670-42580 | KEY | 1 | | | | | | | |
| 18 | 2 | X01357681 | CONNECTOR | 1 | | | | | | | |
| 19 | 2 | X00371040 | CIRCLIP | 1 | | | | | | | |
| 20 | 2 | 129670-42570 | CIRCLIP | 1 | | | | | | | |
| 21 | 1 | 129670-42700 | GEAR, PUMP | 1 | | | | | | | |
| 22 | 1 | 129150-01881 | GASKET | 1 | | | | | | | |
| 23 | 1 | 26106-080252 | BOLT, M8X 25 PLATED | 3 | | | | | | | |
| 24 | 1 | 26366-080002 | NUT, M8 | 1 | | | | | | | |
| 25 | 1 | 124240-01871 | COVER | 1 | | | | | | | |
| 26 | 1 | 129150-01881 | GASKET | 1 | | | | | | | |
| 26-1 | 1 | 129C26-01890 | GASKET, HO-P | 1 | | | | | | | R |
| (A=*2012.06.) | | | | | | | | | | | |
| 27 | 1 | 26106-080162 | BOLT, M8X 16 PLATED | 4 | | | | | | | |
| 28 | 1 | 121450-01560 | STUD, M8X22 | 1 | | | | | | | |

Fig.18. COOLING FRESH WATER PUMP



(A)=3JH4E
(B)=
(C)=

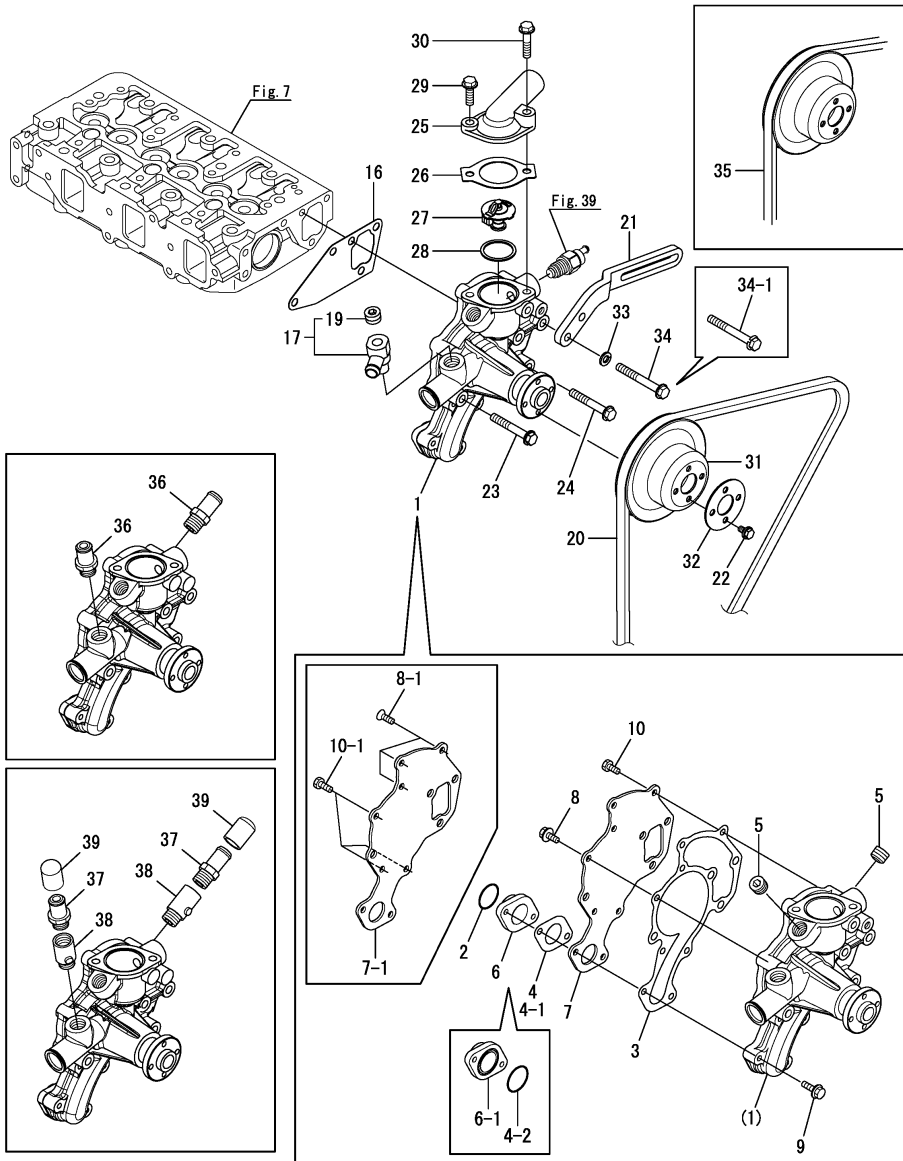
(D)=
(E)=
(F)=

| No. | Lev. | Parts No. | Description | Q'ty | | | | | | I | R |
|--------------|------|--------------|---------------------|------|-----|-----|-----|-----|-----|---|-----|
| | | | | (A) | (B) | (C) | (D) | (E) | (F) | | |
| 1 | 1 | 129271-42000 | PUMP ASSY, WATER | 1 | | | | | | | |
| 1-1 | 1 | 129271-42001 | PUMP ASSY, WATER | 1 | | | | | | | N |
| (A=E02306) | | | | | | | | | | | |
| 2 | 2 | 129054-42320 | O-RING | 1 | | | | | | | |
| 3 | 2 | 129052-42050 | GASKET | 1 | | | | | | | |
| 3-1 | 2 | 129150-42059 | GASKET | 1 | | | | | | | R |
| (A=E02306) | | | | | | | | | | | |
| 4 | 2 | 129052-42310 | GASKET | 1 | | | | | | | |
| 4-1 | 2 | 129150-42319 | GASKET | 1 | | | | | | | R |
| (A=E02306) | | | | | | | | | | | |
| 4-2 | 2 | 24358-240310 | O-RING, 524031 | 1 | | | | | | | S 1 |
| (A=E04012) | | | | | | | | | | | |
| 5 | 2 | 23875-030000 | PLUG, R03 | 3 | | | | | | | |
| 5-1 | 2 | 129916-49740 | PLUG, R03 | 3 | | | | | | | R |
| (A=E02306) | | | | | | | | | | | |
| 6 | 2 | 129150-42300 | FLANGE | 1 | | | | | | | |
| 6-1 | 2 | 129150-42301 | FLANGE | 1 | | | | | | | S 1 |
| (A=E04012) | | | | | | | | | | | |
| 7 | 2 | 129150-42129 | PLATE | 1 | | | | | | | |
| 7-1 | 2 | 129263-42120 | PLATE | 1 | | | | | | | S |
| (A=E02306) | | | | | | | | | | | |
| 8 | 2 | 26106-060142 | BOLT, M6X 14 PLATED | 5 | | | | | | | |
| 8-1 | 2 | 26577-060142 | SCREW M 6X 14 | 3 | | | | | | | S |
| (A=E02306) | | | | | | | | | | | |
| 9 | 2 | 26106-060202 | BOLT, M6X 20 PLATED | 2 | | | | | | | |
| 10 | 2 | 26116-060162 | BOLT, M6X 16 PLATED | 1 | | | | | | | |
| 10-1 | 2 | 26116-060162 | BOLT, M6X 16 PLATED | 3 | | | | | | | K |
| (A=E02306) | | | | | | | | | | | |
| 16 | 1 | 129486-42050 | GASKET, WATER PUMP | 1 | | | | | | | |
| 17 | 1 | 129270-49400 | JOINT ASSY, PUMP | 1 | | | | | | | |
| 19 | 2 | 23875-030000 | PLUG, R03 | 1 | | | | | | | |
| 20 | 1 | 25152-004300 | V-BELT, A43 | 1 | | | | | | | |
| 21 | 1 | 129495-77330 | ADJUSTER, BELT | 1 | | | | | | | |
| 22 | 1 | 26106-060102 | BOLT, M6X 10 PLATED | 4 | | | | | | | |
| 23 | 1 | 26106-080552 | BOLT, M8X 55 PLATED | 2 | | | | | | | |
| 24 | 1 | 26106-080552 | BOLT, M8X 55 PLATED | 1 | | | | | | | |
| 25 | 1 | 129470-49540 | COVER, THERMOSTAT | 1 | | | | | | | |
| 26 | 1 | 129795-49551 | GASKET | 1 | | | | | | | |
| 27 | 1 | 129470-49801 | THERMOSTAT, 76.5 | 1 | | | | | | | |
| 28 | 1 | 129470-49810 | GASKET, THERMOSTAT | 1 | | | | | | | |
| 28-1 | 1 | 129150-49811 | GASKET, THERMOSTAT | 1 | | | | | | | R |
| (A=*2009.12) | | | | | | | | | | | |
| 29 | 1 | 26106-080252 | BOLT, M8X 25 PLATED | 1 | | | | | | | |
| 30 | 1 | 26106-080352 | BOLT, M8X 35 PLATED | 1 | | | | | | | |
| 31 | 1 | 129550-42350 | V-PULLEY, D=120 | 1 | | | | | | | |
| 32 | 1 | 129156-44760 | WASHER | 1 | | | | | | | |
| 33 | 1 | 22217-080000 | WASHER, SPRING 8 | 1 | | | | | | | Z |
| (A=*2004.10) | | | | | | | | | | | |
| 34 | 1 | 26106-080652 | BOLT, M8X 65 PLATED | 1 | | | | | | | |
| 34-1 | 1 | 26013-080652 | BOLT, M8X 65 | 1 | | | | | | | N |
| (A=*2004.10) | | | | | | | | | | | |

Remarks

- (1)Heater kit (with out Cock)
- (2)Heater kit (with Cock)

Fig.18. COOLING FRESH WATER PUMP



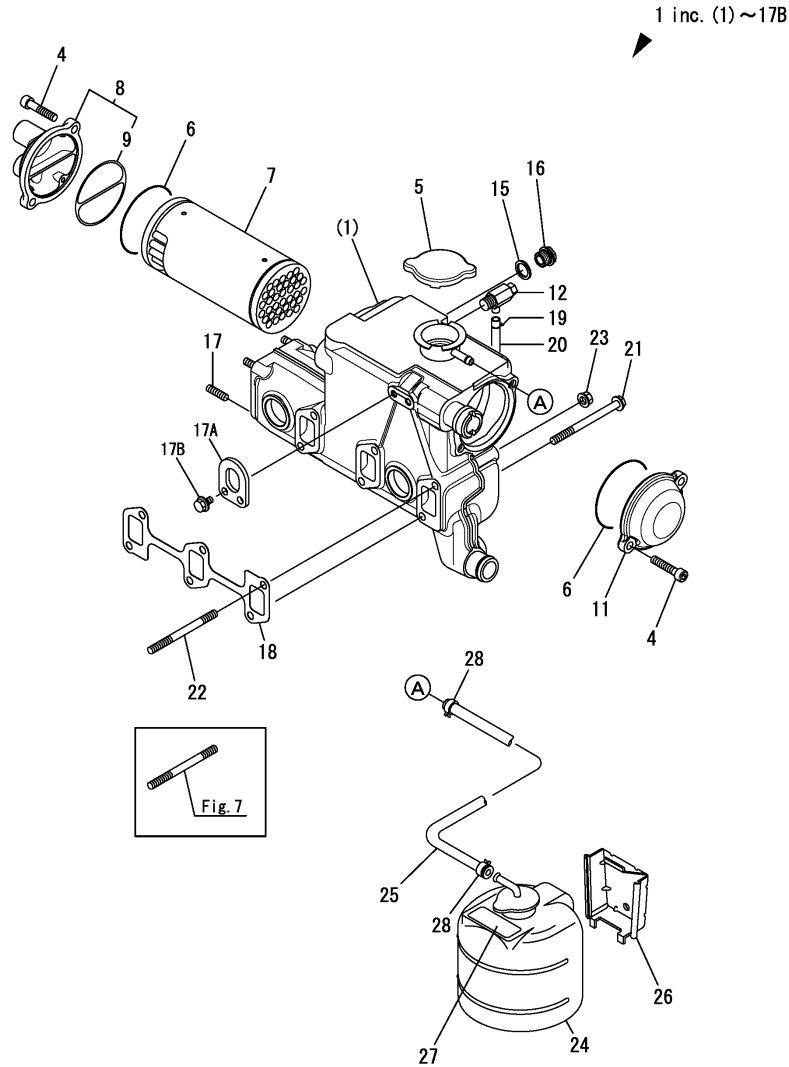
(A)=3JH4E
(B)=
(C)=

(D)=
(E)=
(F)=

| No. | Lev. | Parts No. | Description | Q'ty | | | | | | I | R |
|-----|------|---------------|----------------------|------|-----|-----|-----|-----|-----|---|---|
| | | | | (A) | (B) | (C) | (D) | (E) | (F) | | |
| 35 | 1 | 129271-42280 | V-BELT, A43.5 | 1 | | | | | | | W |
| | | (A=*FROM 1ST) | | | | | | | | | |
| 36 | 1 | 128990-49320 | JOINT, 3/8 | 2 | | | | | | | W |
| | | (A=*2004.11) | | | | | | | | | |
| 37 | 1 | 128990-49320 | JOINT, 3/8 | 2 | | | | | | | W |
| | | (A=*2004.11) | | | | | | | | | |
| 38 | 1 | 129670-49390 | COCK ASSY,R1/4XRP3/8 | 2 | | | | | | | W |
| | | (A=*2004.11) | | | | | | | | | |
| 39 | 1 | 128990-49400 | CAP,WATER | 2 | | | | | | | W |
| | | (A=*2004.11) | | | | | | | | | |

Remarks
(1)Heater kit (with out Cock)
(2)Heater kit (with Cock)

Fig.19. COOLING FRESH WATER COOLER

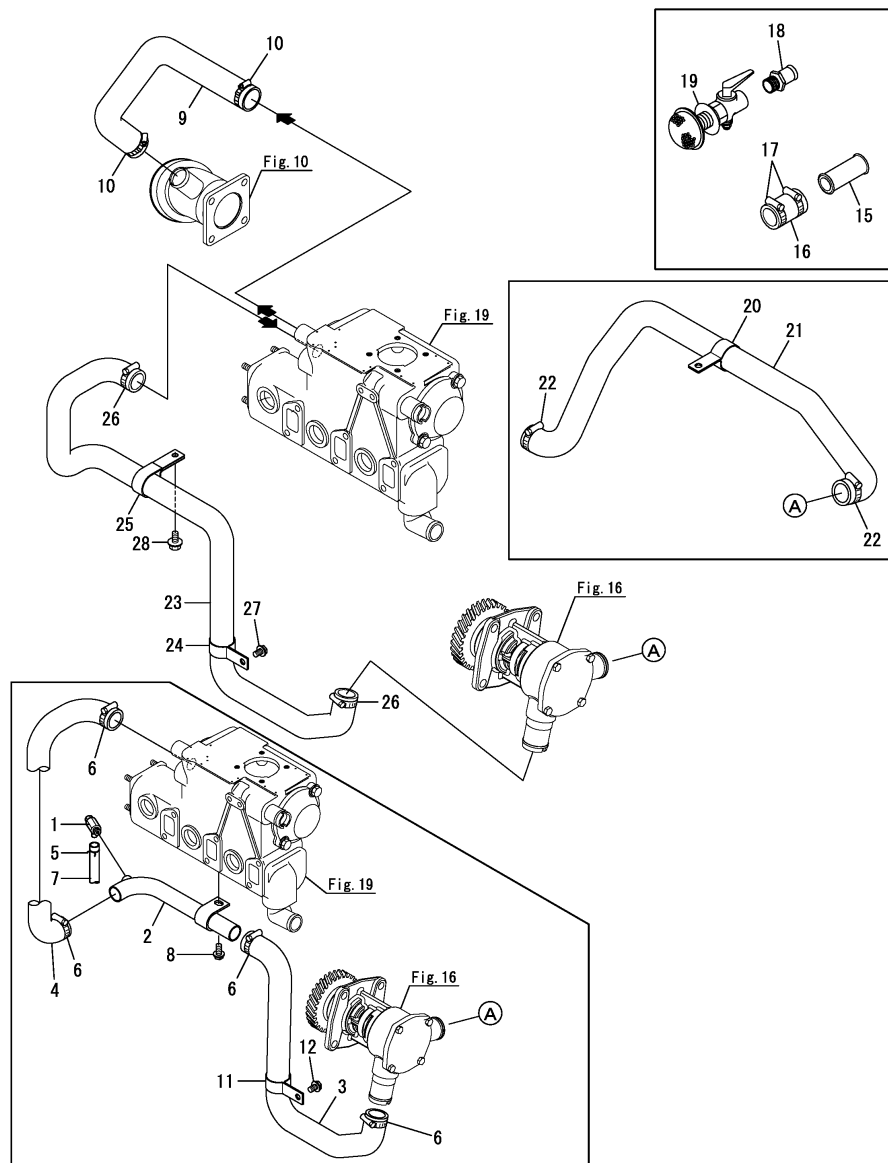


| No. | Lev. | Parts No. | Description | Q'ty | | | | | | I | R |
|--------------|------|--------------|---------------------|------|-----|-----|-----|-----|-----|---|---|
| | | | | (A) | (B) | (C) | (D) | (E) | (F) | | |
| 1 | 1 | 129270-44910 | COOLER ASSY, WATER | 1 | | | | | | | |
| 4 | 2 | 129673-44090 | BOLT, M8X40 | 4 | | | | | | | |
| 5 | 2 | 129673-44130 | CAP | 1 | | | | | | | |
| 5-1 | 2 | 129673-44131 | CAP | 1 | | | | | | | N |
| (A=*2005.06) | | | | | | | | | | | |
| 6 | 2 | 129670-44150 | O-RING, 74.5X3 | 2 | | | | | | | |
| 7 | 2 | 129270-44410 | CORE ASSY, COOLER | 1 | | | | | | | |
| 8 | 2 | 129670-44430 | COVER CMP,COOLER A | 1 | | | | | | | |
| 9 | 3 | 120322-33050 | GASKET | 1 | | | | | | | |
| 11 | 2 | 129670-44450 | COVER, COOLER | 1 | | | | | | | |
| 12 | 2 | 119620-49290 | COCK ASSY, 1/4 | 1 | | | | | | | |
| 15 | 2 | 23414-170000 | GASKET, 17X1.0 | 1 | | | | | | | |
| 16 | 2 | 23893-030002 | PLUG, G3/8 | 1 | | | | | | | |
| 16-1 | 2 | 23894-030002 | PLUG, G3/8 | 1 | | | | | | | R |
| (A=*2007.12) | | | | | | | | | | | |
| 17 | 2 | 128170-13600 | STUD, M8X31 | 4 | | | | | | | |
| 17-1 | 2 | 129670-13600 | STUD | 4 | | | | | | | R |
| (A=*2006.07) | | | | | | | | | | | |
| 17A | 2 | 129670-07230 | LIFTER | 1 | | | | | | | W |
| (A=*2007.12) | | | | | | | | | | | |
| 17B | 2 | 26450-080162 | BOLT, M8X 16 | 2 | | | | | | | W |
| (A=*2007.12) | | | | | | | | | | | |
| 18 | 1 | 129150-13110 | GASKET | 1 | | | | | | | |
| 19 | 1 | 124460-77680 | RETAINER | 1 | | | | | | | |
| 20 | 1 | 23061-070300 | PIPE, 7X 300 | 1 | | | | | | | |
| 21 | 1 | 26106-081002 | BOLT, M8X100 PLATED | 4 | | | | | | | |
| 22 | 1 | 26216-081002 | STUD, M8X100 | 2 | | | | | | | Z |
| (A=E00409) | | | | | | | | | | | |
| 23 | 1 | 26366-080002 | NUT, M8 | 2 | | | | | | | |
| 24 | 1 | 128397-44500 | TANK ASSY, SUB | 1 | | | | | | | |
| 25 | 1 | 129270-44500 | PIPE, OVERFLOW | 1 | | | | | | | |
| 25-1 | 1 | 129270-44501 | PIPE | 1 | | | | | | | |
| 26 | 1 | 128397-44510 | BRACKET | 1 | | | | | | | |
| 27 | 1 | 129670-44570 | LABEL, SUB-TANK | 1 | | | | | | | |
| 28 | 1 | 23010-013000 | CLAMP 13 | 2 | | | | | | | |

Fig.20. COOLING SEA WATER PIPE

(A)=3JH4E
(B)=
(C)=

(D)=
(E)=
(F)=



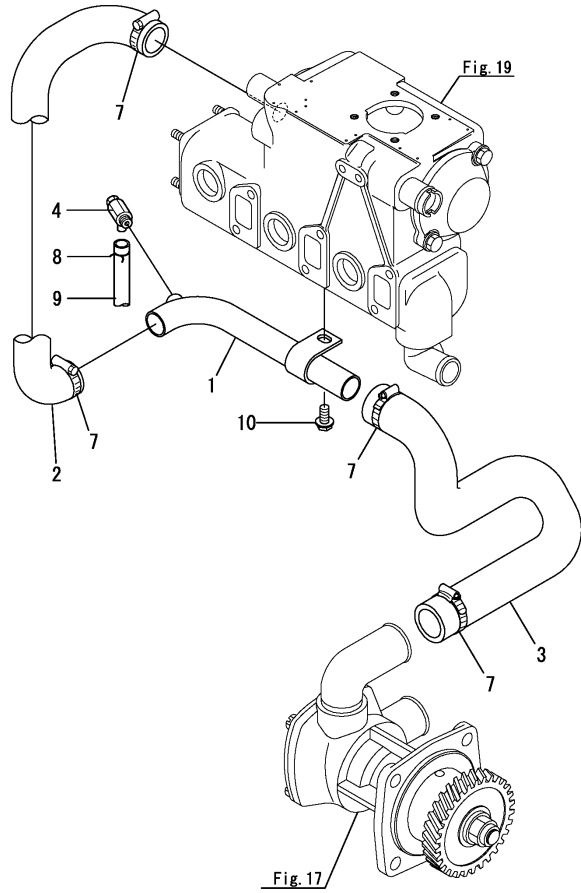
| No. | Lev. | Parts No. | Description | Q'ty | | | | | | I | R |
|------|------|------------------------------|---------------------|------|-----|-----|-----|-----|-----|---|-----|
| | | | | (A) | (B) | (C) | (D) | (E) | (F) | | |
| 1 | 1 | 129670-49290 (A=*2007.02) | COCK ASSY, R1/8 | 1 | | | | | | | Z |
| 2 | 1 | 129170-49010 (A=*2007.02) | PIPE, WATER | 1 | | | | | | | Z |
| 3 | 1 | 129271-49010 (A=*2007.02) | PIPE, WATER | 1 | | | | | | | Z |
| 4 | 1 | 129270-49040 (A=*2007.02) | PIPE, WATER | 1 | | | | | | | Z |
| 5 | 1 | 124460-77680 (A=*2007.02) | RETAINER | 1 | | | | | | | Z |
| 6 | 1 | 129670-49500 (A=*2007.02) | CLIP, HOSE 38 | 4 | | | | | | | Z |
| 7 | 1 | 23061-070300 (A=*2007.02) | PIPE, 7X 300 | 1 | | | | | | | Z |
| 8 | 1 | 26106-080162 (A=*2007.02) | BOLT, M8X 16 PLATED | 1 | | | | | | | Z |
| 9 | 1 | 129670-49150 | PIPE, WATER | 1 | | | | | | | |
| 10 | 1 | 129670-49500 | CLIP, HOSE 38 | 2 | | | | | | | |
| 11 | 1 | 129271-49110 (A=*2007.02) | RETAINER, PIPE | 1 | | | | | | | Z |
| 12 | 1 | 26106-080122 (A=*2007.02) | BOLT, M8X 12 PLATED | 1 | | | | | | | Z |
| 15 | 1 | 129490-49070 | JOINT | 1 | | | | | | | 1 |
| 16 | 1 | 129171-49900 | JOINT, RUBBER | 1 | | | | | | | 1 |
| 17 | 1 | 129670-49500 | CLIP, HOSE 38 | 2 | | | | | | | 1 |
| 18 | 1 | 43530-500570 | JOINT, PIPE | 1 | | | | | | | 1 |
| 19 | 1 | 43662-025030 | COCK ASSY, KINGSTON | 1 | | | | | | | 1 |
| 19-1 | 1 | 43662-025031 (A=*2006.12) | COCK, KINGSTON | 1 | | | | | | | N 1 |
| 20 | 1 | 129671-49110 | RETAINER | 1 | | | | | | | 2 |
| 21 | 1 | 129271-49210 | PIPE, WATER | 1 | | | | | | | 2 |
| 22 | 1 | 129670-49500 | CLIP, HOSE 38 | 2 | | | | | | | 2 |
| 23 | 1 | 129271-49040 | PIPE, COOLING WATER | 1 | | | | | | | W |
| 24 | 1 | 129271-49110 (A=*2007.02) | RETAINER, PIPE | 1 | | | | | | | W |
| 25 | 1 | 129671-49120 (A=*2007.02) | RETAINER | 1 | | | | | | | W |
| 26 | 1 | 129670-49500 (A=*2007.02) | CLIP, HOSE 38 | 2 | | | | | | | W |
| 27 | 1 | 26106-080122 (A=*2007.02) | BOLT, M8X 12 PLATED | 1 | | | | | | | W |
| 28 | 1 | 26106-080162 (A=*2007.02) | BOLT, M8X 16 PLATED | 1 | | | | | | | W |

Remarks
(1)Optional parts.
(2)For SD40

Fig.47. (20A)COOLING SEA WATER PIPE(REAR PUMP SPEC.:OPTIONAL)

(A)=3JH4E
(B)=
(C)=

(D)=
(E)=
(F)=

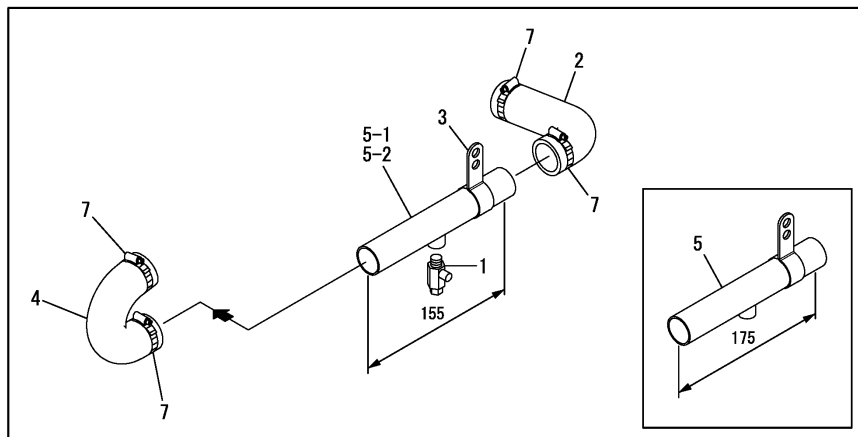
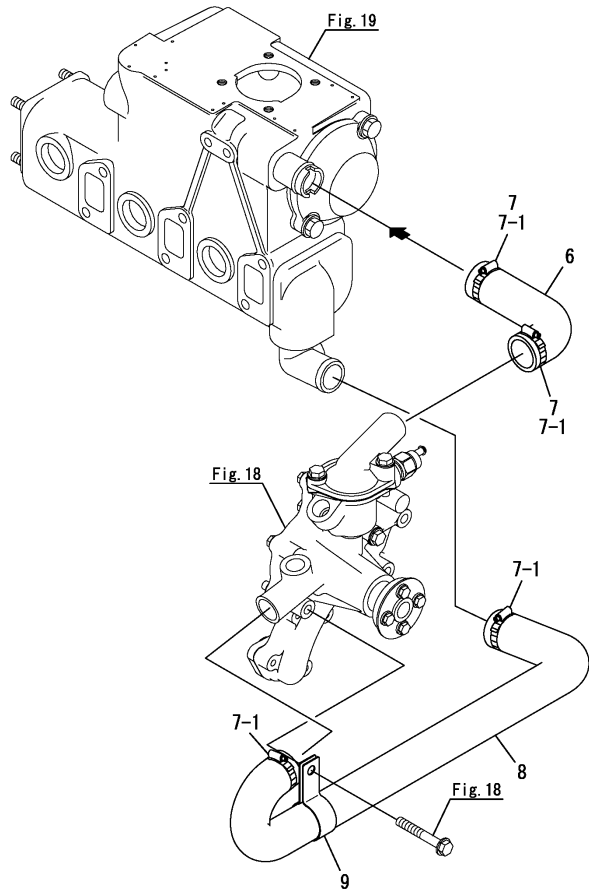


| No. | Lev. | Parts No. | Description | Q'ty | | | | | | I | R |
|-----|------|--------------|---------------------|------|-----|-----|-----|-----|-----|---|---|
| | | | | (A) | (B) | (C) | (D) | (E) | (F) | | |
| 1 | 1 | 129170-49010 | PIPE, WATER | 1 | | | | | | | |
| 2 | 1 | 129270-49040 | PIPE, WATER | 1 | | | | | | | |
| 3 | 1 | 129670-49110 | PIPE, WATER | 1 | | | | | | | |
| 4 | 1 | 129670-49290 | COCK ASSY, R1/8 | 1 | | | | | | | |
| 7 | 1 | 129670-49500 | CLIP, HOSE 38 | 4 | | | | | | | |
| 8 | 1 | 124460-77680 | RETAINER | 1 | | | | | | | |
| 9 | 1 | 23061-070300 | PIPE, 7X 300 | 1 | | | | | | | |
| 10 | 1 | 26106-080162 | BOLT, M8X 16 PLATED | 1 | | | | | | | |

Fig.21. COOLING FRESH WATER PIPE

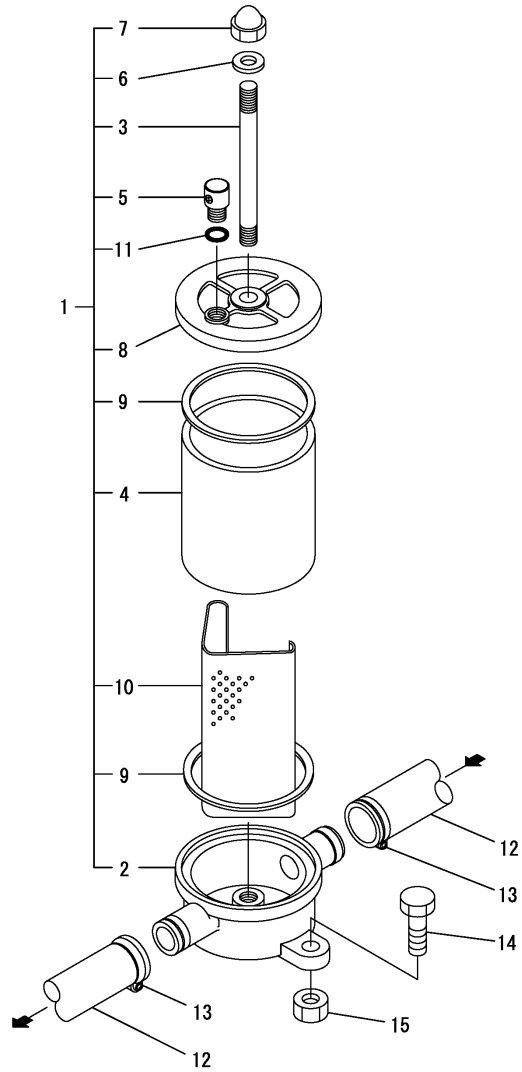
(A)=3JH4E
(B)=
(C)=

(D)=
(E)=
(F)=



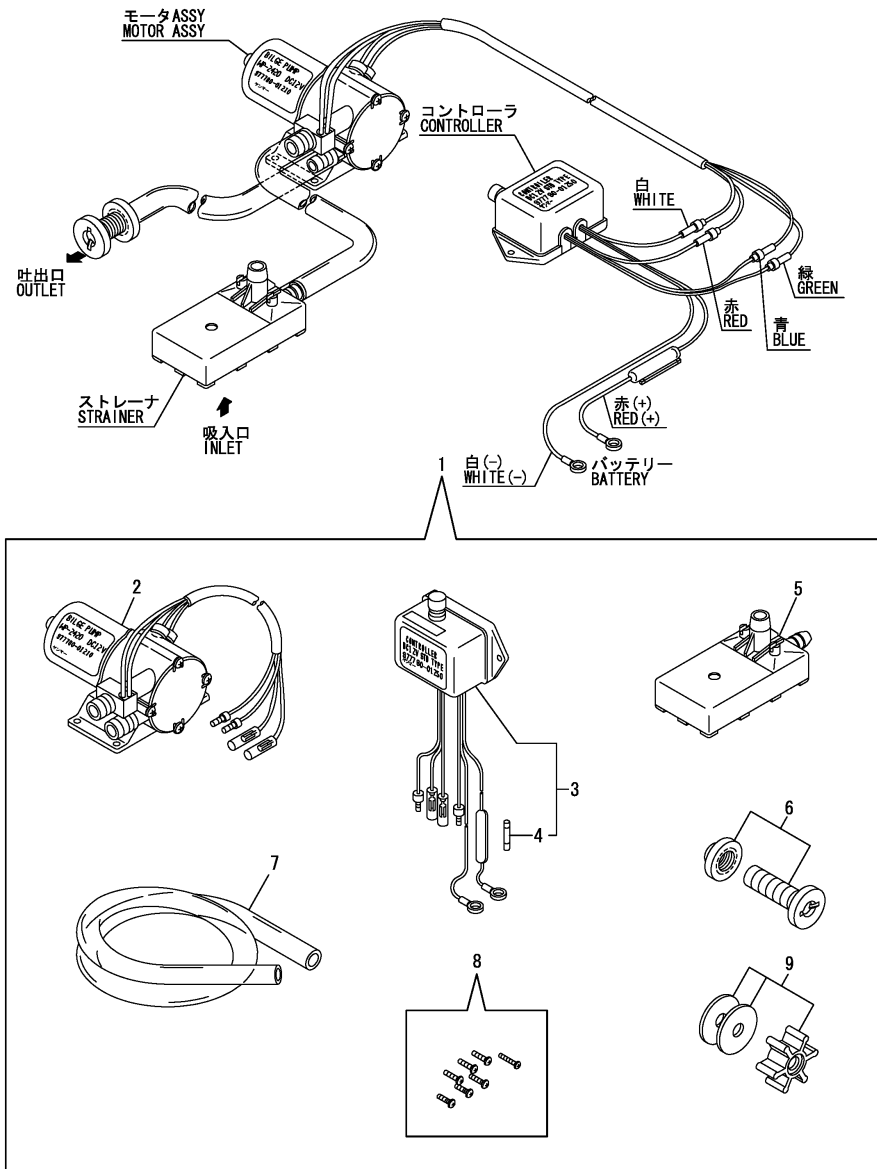
| No. | Lev. | Parts No. | Description | Q'ty | | | | | | I | R |
|-----|------|------------------------------|---------------------|------|-----|-----|-----|-----|-----|---|---|
| | | | | (A) | (B) | (C) | (D) | (E) | (F) | | |
| 1 | 1 | 129670-49290 (A=*2007.02) | COCK ASSY, R1/8 | 1 | | | | | | | Z |
| 2 | 1 | 129270-49210 (A=*2007.02) | PIPE, WATER | 1 | | | | | | | Z |
| 3 | 1 | 129470-49220 (A=*2007.02) | RETAINER | 1 | | | | | | | Z |
| 4 | 1 | 129673-49230 (A=*2007.02) | PIPE, WATER | 1 | | | | | | | Z |
| 5 | 1 | 129470-49250 | PIPE, WATER | 1 | | | | | | | |
| 5-1 | 1 | 129271-49250 (A=E00395) | PIPE, COOLING WATER | 1 | | | | | | | S |
| 5-2 | 1 | 129271-49250 (A=*2007.02) | PIPE, COOLING WATER | 1 | | | | | | | Z |
| 6 | 1 | 129270-49210 | PIPE, WATER | 1 | | | | | | | |
| 7 | 1 | 129670-49500 | CLIP, HOSE 38 | 6 | | | | | | | |
| 7-1 | 1 | 129670-49500 (A=*2007.02) | CLIP, HOSE 38 | 4 | | | | | | | K |
| 8 | 1 | 129271-49220 (A=*2007.02) | PIPE, COOLING WATER | 1 | | | | | | | W |
| 9 | 1 | 129271-49110 (A=*2009.06) | RETAINER, PIPE | 1 | | | | | | | W |

Fig.22. COOLING SEA WATER STRAINER(OPTIONAL)



| No. | Lev. | Parts No. | Description | Q'ty | | | | | | I | R |
|-----|------|--------------|---------------------|------|-----|-----|-----|-----|-----|---|---|
| | | | | (A) | (B) | (C) | (D) | (E) | (F) | | |
| 1 | 1 | 129795-48800 | STRAINER | 1 | | | | | | | |
| 2 | 2 | XTST25S001 | BODY | 1 | | | | | | | |
| 3 | 2 | XTST25S002 | BOLT M 8X125 | 1 | | | | | | | |
| 4 | 2 | XTST25S003 | PIPE, OUTER | 1 | | | | | | | |
| 5 | 2 | XTST25S004 | PLUG M 8 | 1 | | | | | | | |
| 6 | 2 | XTST25S005 | PACKING | 1 | | | | | | | |
| 7 | 2 | 26664-080002 | NUT, CAP M8 | 1 | | | | | | | |
| 8 | 2 | XTST25S007 | COVER | 1 | | | | | | | |
| 9 | 2 | XTST25S008 | PACKING | 2 | | | | | | | |
| 10 | 2 | XTST25S009 | FILTER | 1 | | | | | | | |
| 11 | 2 | 24311-000060 | O-RING, 1AP6.0 | 1 | | | | | | | |
| 12 | 1 | 23072-101000 | HOSE, 10X1000 | 1 | | | | | | | |
| 13 | 1 | 129670-49500 | CLIP, HOSE 38 | 2 | | | | | | | |
| 14 | 1 | 26116-080302 | BOLT, M8X 30 PLATED | 2 | | | | | | | |
| 15 | 1 | 26703-080002 | NUT, M8 | 2 | | | | | | | |

Fig.23. BILGE PUMP(STD)(OPTIONAL)



(A)=3JH4E
(B)=
(C)=

(D)=
(E)=
(F)=

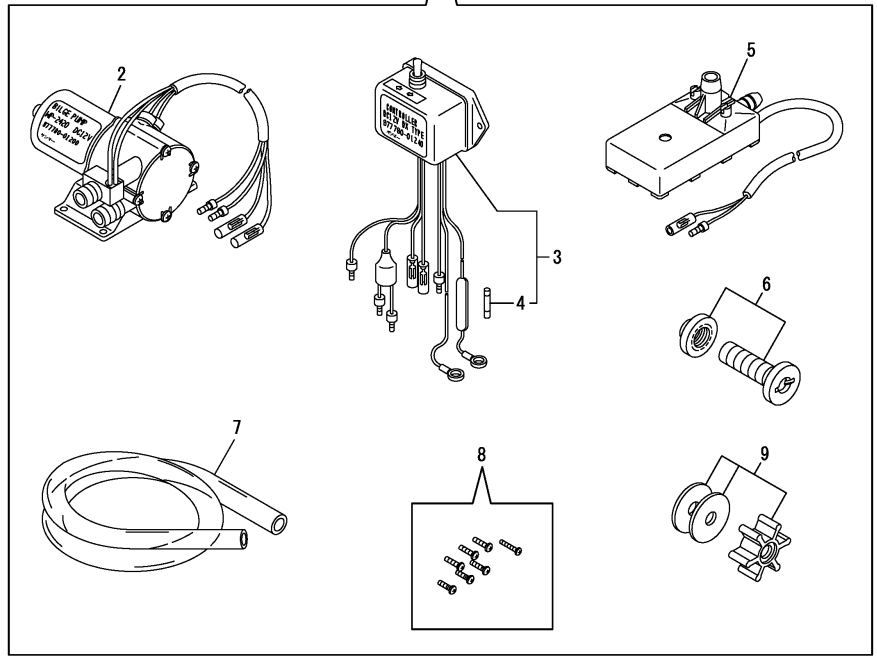
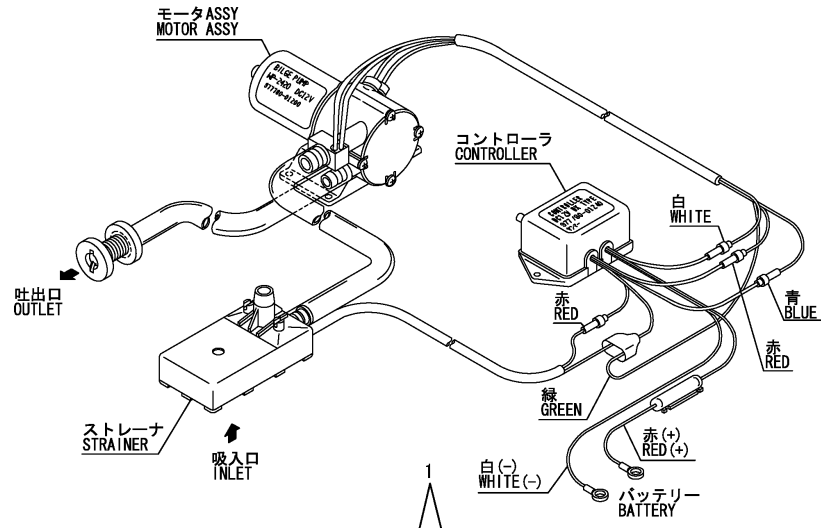
| No. | Lev. | Parts No. | Description | Qty | | | | | | I | R |
|--------------|------|--------------|----------------------|-----|-----|-----|-----|-----|-----|---|-----|
| | | | | (A) | (B) | (C) | (D) | (E) | (F) | | |
| 1 | 1 | 977780-01210 | PUMP(12V),BILGE | 1 | | | | | | | |
| 1-1 | 1 | 977780-01211 | PUMP ASSY, BILGE | 1 | | | | | | | N 1 |
| (A=*1997.01) | | | | | | | | | | | |
| 2 | 2 | 977780-01230 | MOTOR ASSY(BILG PUMP | 1 | | | | | | | |
| 3 | 2 | 977780-01250 | CONTROLLER | 1 | | | | | | | |
| 4 | 3 | X8636008003 | FUSE | 1 | | | | | | | |
| 5 | 2 | X179100021X | STRAINER | 1 | | | | | | | |
| 6 | 2 | X179100100X | PIPE ASSY | 1 | | | | | | | |
| 7 | 2 | X0044021509 | HOSE A | 1 | | | | | | | |
| 8 | 2 | X199903800X | SCREW KIT | 1 | | | | | | | |
| 9 | 2 | 977780-03000 | INPELLER | 1 | | | | | | | |

Remarks
(1)Inner parts are shown in Fig.48(24A).

Fig.24. BILGE PUMP(DX)(OPTIONAL)

(A)=3JH4E
(B)=
(C)=

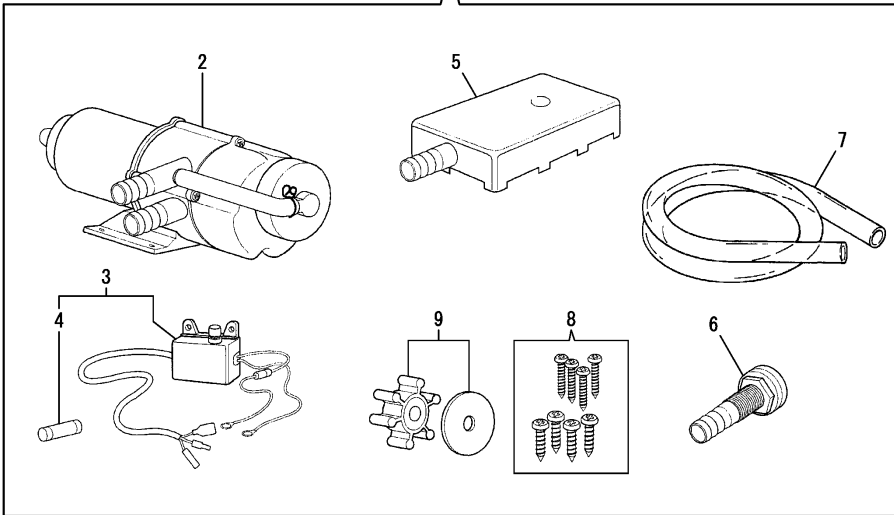
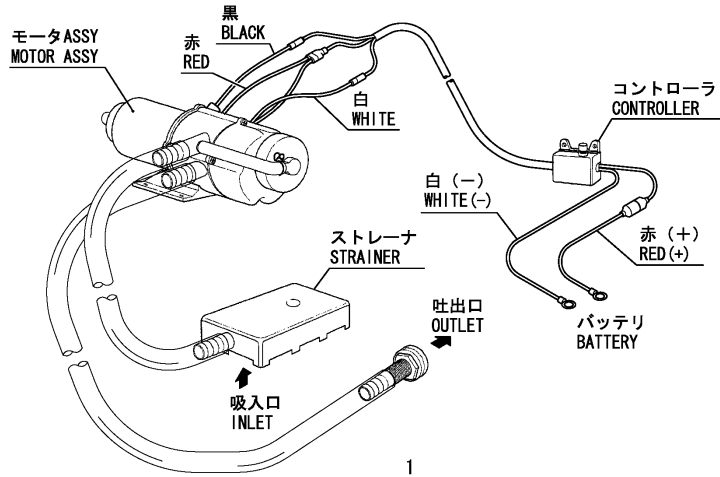
(D)=
(E)=
(F)=



| No. | Lev. | Parts No. | Description | Q'ty | | | | | | I | R |
|--------------|------|--------------|----------------------|------|-----|-----|-----|-----|-----|---|---|
| | | | | (A) | (B) | (C) | (D) | (E) | (F) | | |
| 1 | 1 | 977780-01200 | PUMP(12V),BILGE | 1 | | | | | | | |
| 1-1 | 1 | 977780-01211 | PUMP ASSY, BILGE | 1 | | | | | | N | 1 |
| (A=*1997.01) | | | | | | | | | | | |
| 2 | 2 | 977780-01230 | MOTOR ASSY(BILG PUMP | 1 | | | | | | | |
| 3 | 2 | 977780-01240 | CONTROLLER | 1 | | | | | | | |
| 4 | 3 | X8636008003 | FUSE | 1 | | | | | | | |
| 5 | 2 | X179100011X | STRAINER | 1 | | | | | | | |
| 6 | 2 | X179100100X | PIPE ASSY | 1 | | | | | | | |
| 7 | 2 | X0044021509 | HOSE A | 1 | | | | | | | |
| 8 | 2 | X199903800X | SCREW KIT | 1 | | | | | | | |
| 9 | 2 | 977780-03000 | INPELLER | 1 | | | | | | | |

Remarks
(1)Inner parts are shown in Fig.48(24A).

Fig.48. (24A)BILGE PUMP(OPTIONAL)

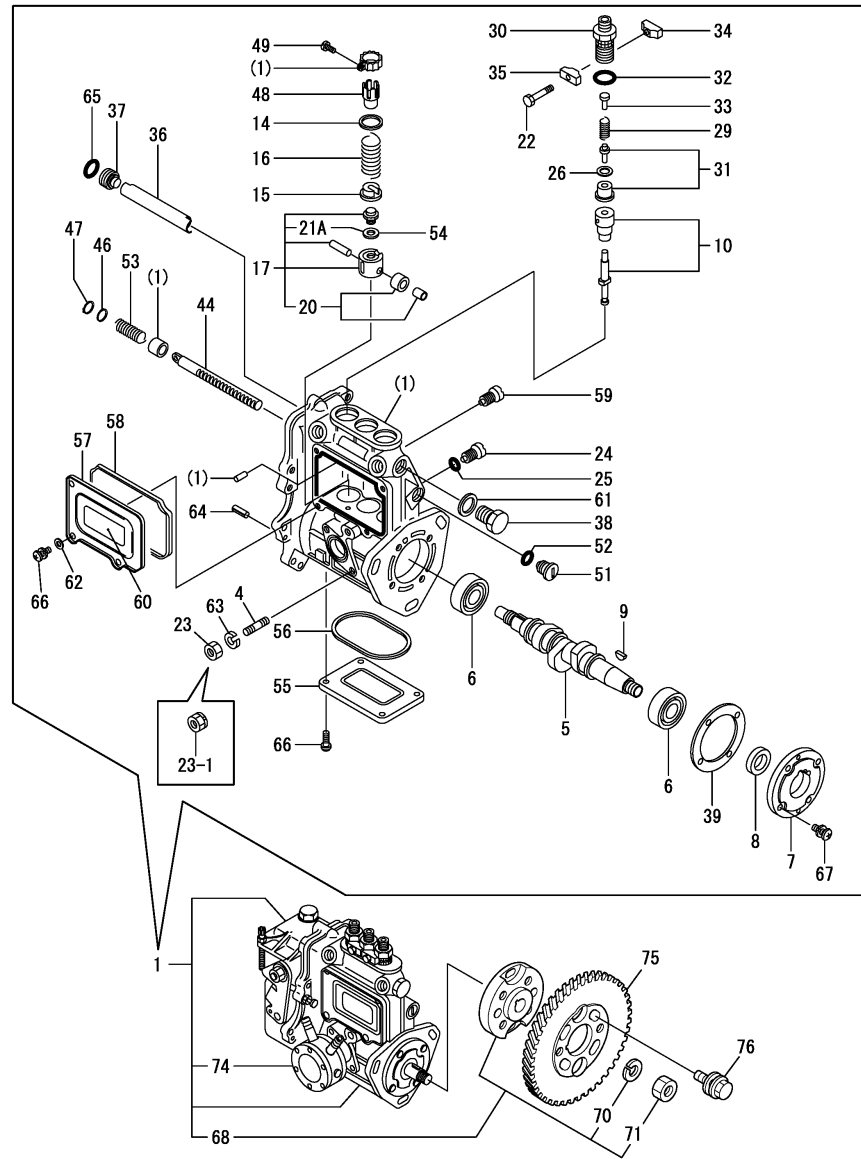


(A)=3JH4E
(B)=
(C)=

(D)=
(E)=
(F)=

| No. | Lev. | Parts No. | Description | Q'ty | | | | | | I | R |
|-----|------|--------------|-------------------|------|-----|-----|-----|-----|-----|---|---|
| | | | | (A) | (B) | (C) | (D) | (E) | (F) | | |
| 1 | 1 | 977780-01211 | PUMP ASSY, BILGE | 1 | | | | | | | |
| 2 | 2 | X0318101004 | MOTOR ASSY, BILGE | 1 | | | | | | | |
| 3 | 2 | X158606410X | SWITH | 1 | | | | | | | |
| 4 | 3 | X8636015001 | FUSE | 1 | | | | | | | |
| 5 | 2 | X179100022X | STRAINER | 1 | | | | | | | |
| 6 | 2 | X179100100X | PIPE ASSY | 1 | | | | | | | |
| 7 | 2 | X0044021509 | HOSE A | 1 | | | | | | | |
| 8 | 2 | X199906101X | SCREW SET | 1 | | | | | | | |
| 9 | 2 | 977780-03000 | INPELLER | 1 | | | | | | | |

Fig.25. FUEL INJECTION PUMP



(A)=3JH4E

(B)=

(C)=

(D)=

(E)=

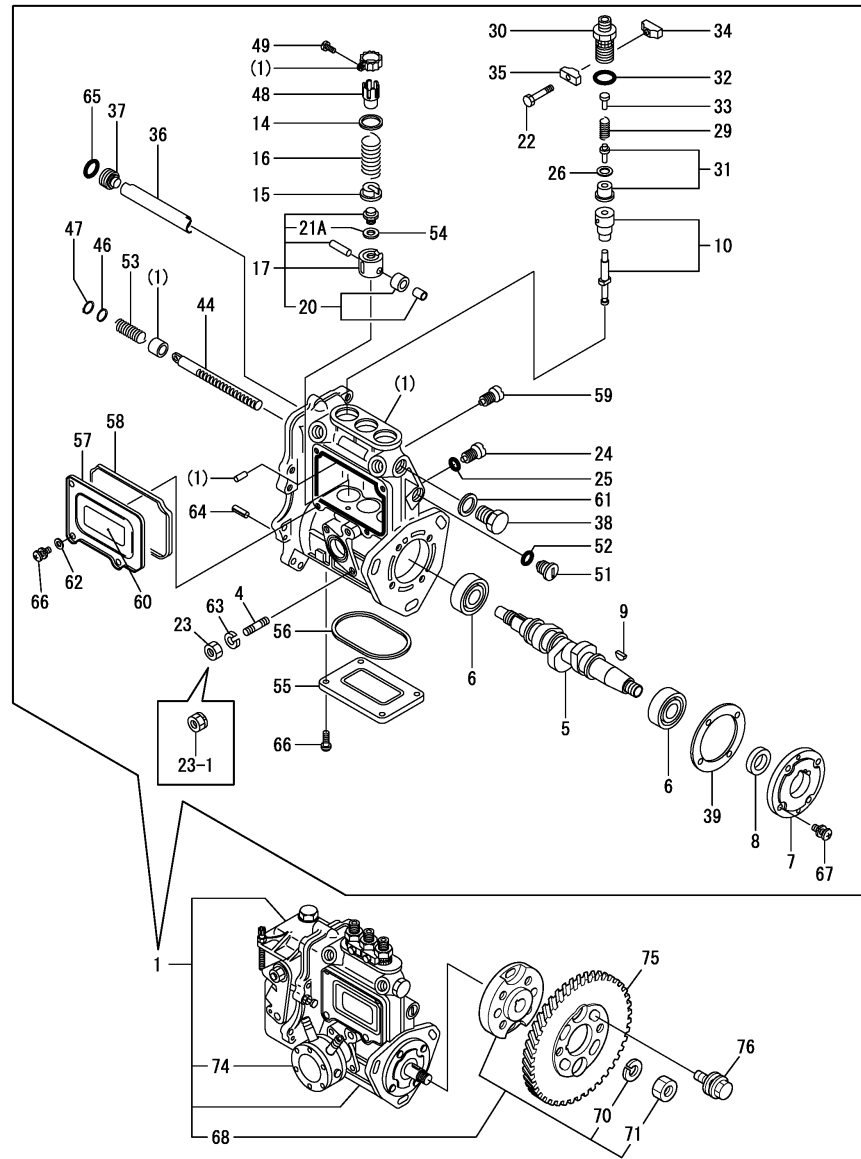
(F)=

| No. | Lev. | Parts No. | Description | Q'ty | | | | | | I | R |
|------|------|--------------|----------------------|------|-----|-----|-----|-----|-----|---|---|
| | | | | (A) | (B) | (C) | (D) | (E) | (F) | | |
| 1 | 1 | 729271-51450 | PUMP ASSY, INJECTION | 1 | | | | | | | 1 |
| 4 | 3 | 129155-51020 | STUD | 2 | | | | | | | |
| 5 | 3 | 129171-51040 | CAMSHAFT | 1 | | | | | | | |
| 6 | 3 | 122710-51050 | BEARING, HR30203J | 2 | | | | | | | |
| 7 | 3 | 129486-51060 | SUPPORT, CAMSHAFT | 1 | | | | | | | |
| 8 | 3 | 129470-51080 | SEAL, AF0741F0 | 1 | | | | | | | |
| 9 | 3 | 122710-51090 | KEY | 1 | | | | | | | |
| 10 | 3 | 129470-51101 | PLUNGER ASSY | 3 | | | | | | | |
| 14 | 3 | 174307-51170 | RETAINER, SPRING A | 3 | | | | | | | |
| 14-1 | 3 | 158600-51170 | RETAINER, SPRING | 3 | | | | | | | R |
| | | (A=*2009.02) | | | | | | | | | |
| 15 | 3 | 129155-51180 | RETAINER, SPRING | 3 | | | | | | | |
| 16 | 3 | 124950-51190 | SPRING, PLUNGER | 3 | | | | | | | |
| 17 | 3 | 129155-51200 | TAPPET ASSY | 3 | | | | | | | |
| 20 | 4 | 711100-51540 | ROLLER ASSY | 3 | | | | | | | |
| 21A | 4 | 129155-51630 | SHIM, T=1.2 | 3 | | | | | | | W |
| | | (A=*2006.10) | | | | | | | | | |
| 22 | 3 | 26116-050302 | BOLT, M5X 30 PLATED | 2 | | | | | | | |
| 23 | 3 | 26716-060002 | NUT, M6 | 2 | | | | | | | |
| 23-1 | 3 | 119717-51860 | NUT, M6 | 2 | | | | | | | R |
| | | (A=*2010.01) | | | | | | | | | |
| 24 | 3 | 129155-51270 | STOPPER, TAPPET | 3 | | | | | | | |
| 24-1 | 3 | 158600-51270 | STOPPER, TAPPET | 3 | | | | | | | R |
| | | (A=*2009.10) | | | | | | | | | |
| 25 | 3 | 129155-51280 | O-RING, S6 | 3 | | | | | | | |
| 26 | 3 | 129670-51300 | VALVE ASSY, DELIVERY | 3 | | | | | | | |
| 29 | 3 | 129573-51330 | SPRING, DELIVERY | 3 | | | | | | | |
| 30 | 3 | 129573-51340 | RETAINER | 3 | | | | | | | |
| 31 | 3 | 124550-51350 | GASKET, DELIVERY | 3 | | | | | | | |
| 32 | 3 | 124550-51370 | O-RING | 3 | | | | | | | |
| 32-1 | 3 | 24316-000150 | O-RING, 4DP15.0 | 3 | | | | | | | N |
| | | (A=*2006.02) | | | | | | | | | |
| 33 | 3 | 129573-51370 | STOPPER, VALVE | 3 | | | | | | | |
| 34 | 3 | 129155-51380 | STOPPER | 2 | | | | | | | |
| 35 | 3 | 129155-51390 | STOPPER | 2 | | | | | | | |
| 36 | 3 | 129155-51400 | DEFLECTOR | 1 | | | | | | | |
| 37 | 3 | 129155-51410 | BOLT | 1 | | | | | | | |
| 37-1 | 3 | 158600-51410 | PLUG, DEFLECTOR | 1 | | | | | | | R |
| | | (A=E05638) | | | | | | | | | |
| 38 | 3 | 129155-51420 | PLUG, M16 | 1 | | | | | | | |
| 38-1 | 3 | 158600-51420 | PLUG, DEFLECTOR | 1 | | | | | | | R |
| | | (A=E05638) | | | | | | | | | |
| 39 | 3 | 129155-51450 | SHIM SET, ADJUSTING | 1 | | | | | | | |
| 44 | 3 | 129155-51500 | RACK, CONTROL | 1 | | | | | | | |
| 44-1 | 3 | 119717-51500 | RACK, CONTROL | 1 | | | | | | | R |
| | | (A=*2005.05) | | | | | | | | | |
| 46 | 3 | 129155-51530 | SPACER | 1 | | | | | | | |
| 47 | 3 | 129155-51540 | CIRCLIP | 1 | | | | | | | |
| 48 | 3 | 129155-51550 | PINION, CONTROL | 3 | | | | | | | |
| 49 | 3 | 129100-51570 | SCREW | 3 | | | | | | | |
| 51 | 3 | 129155-51570 | PLUG, M12 | 1 | | | | | | | |

Remarks

(1)Governor(Fig.26) is incorporated in this Fuel Injection Pump(No.1).

Fig.25. FUEL INJECTION PUMP



(A)=3JH4E
(B)=
(C)=

(D)=
(E)=
(F)=

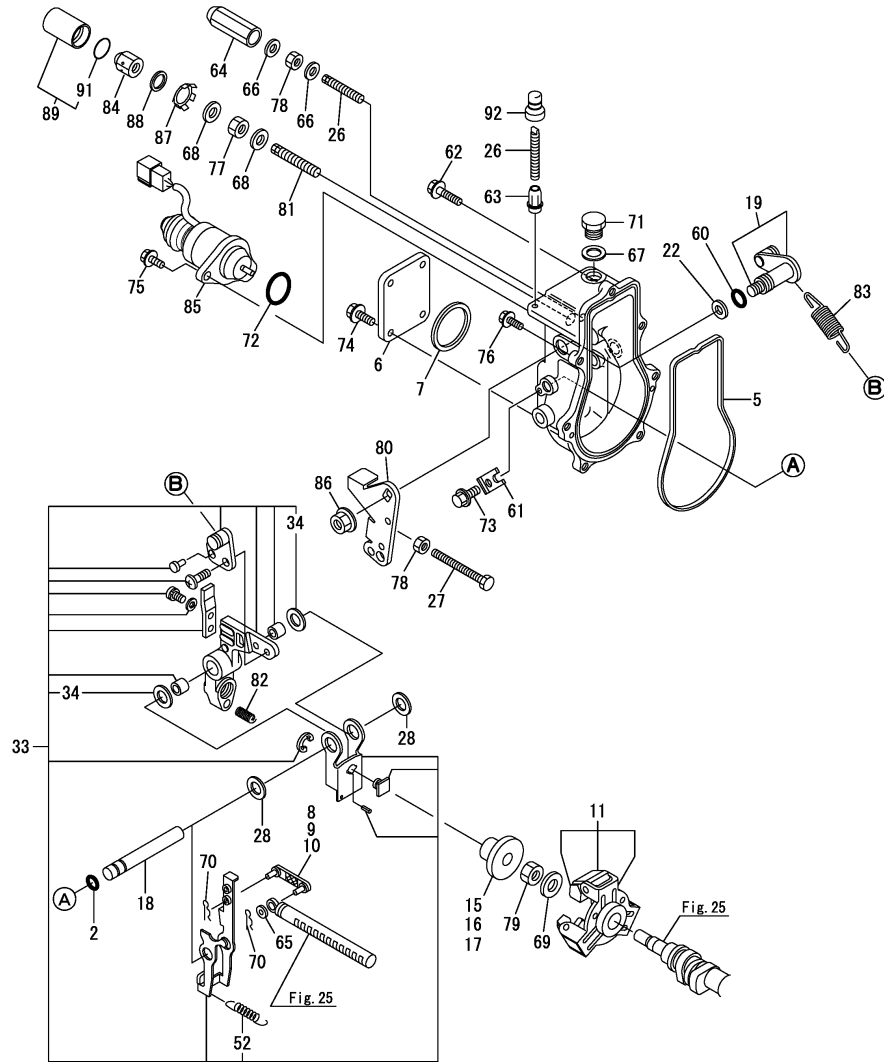
| No. | Lev. | Parts No. | Description | Q'ty | | | | | | I | R |
|------|------|------------------------------|----------------------|------|-----|-----|-----|-----|-----|---|---|
| | | | | (A) | (B) | (C) | (D) | (E) | (F) | | |
| 51-1 | 3 | 158600-51570 (A=*2009.10) | PLUG | 1 | | | | | | | R |
| 52 | 3 | 129155-51580 | O-RING | 1 | | | | | | | |
| 53 | 3 | 129155-51591 | SPRING, RACK | 1 | | | | | | | |
| 53-1 | 3 | 129190-51590 (A=E00576) | SPRING, RACK | 1 | | | | | | | N |
| 54 | 3 | 129155-51600 (A=*2006.10) | SHIM SET, ADJUSTING | 3 | | | | | | | Z |
| 55 | 3 | 129155-51701 | COVER | 1 | | | | | | | |
| 56 | 3 | 129155-51711 | GASKET | 1 | | | | | | | |
| 57 | 3 | 129155-51751 | COVER | 1 | | | | | | | |
| 58 | 3 | 129155-51761 | GASKET | 1 | | | | | | | |
| 59 | 3 | 129155-51790 | STOOPER, RACK | 1 | | | | | | | |
| 59-1 | 3 | 158600-51790 (A=*2009.10) | STOOPER, RACK | 1 | | | | | | | R |
| 60 | 3 | 129156-51910 | LABEL, CAUTION | 1 | | | | | | | |
| 61 | 3 | 22190-160002 | WASHER, SEAL 16 | 1 | | | | | | | |
| 62 | 3 | 22217-050000 | WASHER, SPRING 5 | 2 | | | | | | | |
| 63 | 3 | 22217-060000 (A=*2010.01) | WASHER, SPRING 6 | 2 | | | | | | | Z |
| 64 | 3 | 22351-050010 | PIN, SPRING 5.0X10 | 2 | | | | | | | |
| 65 | 3 | 24341-000160 | O-RING, 1AS16.0 | 1 | | | | | | | |
| 65-1 | 3 | 119717-51420 (A=*2006.02) | O-RING | 1 | | | | | | | N |
| 66 | 3 | 26022-050122 | SCREW, M5X12 | 8 | | | | | | | |
| 67 | 3 | 26022-060162 | SCREW, M6X16 | 4 | | | | | | | |
| 68 | 3 | 129208-54500 | FLANGE ASSY | 1 | | | | | | | |
| 70 | 4 | 22217-120000 | WASHER, SPRING 12 | 1 | | | | | | | |
| 71 | 4 | 26716-120002 | NUT, M12 | 1 | | | | | | | |
| 74 | 2 | 129158-52000 | PUMP ASSY, FUEL FEED | 1 | | | | | | | |
| 75 | 1 | 129150-25931 | GEAR, PUMP | 1 | | | | | | | |
| 76 | 1 | 129150-25301 | BOLT | 4 | | | | | | | |

Remarks

(1)Governor(Fig.26) is incorporated in this Fuel Injection Pump(No.1).

N:Old $\xrightarrow{\text{Yes}}$ New, Q:Old $\xrightarrow{\text{No}}$ New, R:Old $\xrightarrow{\text{Yes}}$ New, S:Old $\xrightarrow{\text{No}}$ New, W:Add, Z:Discontinued, F:Interchangeable by set, K:Q'ty Change

Fig.26. GOVERNOR



(A)=3JH4E

(B)=

(C)=

(D)=

(E)=

(F)=

| No. | Lev. | Parts No. | Description | Q'ty | | | | | | I | R |
|--------------|------|--------------|----------------------|------|-----|-----|-----|-----|-----|---|-----|
| | | | | (A) | (B) | (C) | (D) | (E) | (F) | | |
| 2 | 2 | 129155-51280 | O-RING, S6 | 1 | | | | | | | |
| 5 | 2 | 129052-61051 | GASKET | 1 | | | | | | | |
| 6 | 2 | 129052-61060 | COVER, GOVERNOR CASE | 1 | | | | | | | |
| 7 | 2 | 129052-61071 | GASKET | 1 | | | | | | | |
| 8 | 2 | 129155-61120 | LINK, L=30 MARK 0 | 1 | | | | | | | 1 |
| 9 | 2 | 129155-61130 | LINK, L=31 MARK 1 | 1 | | | | | | | 1 |
| 10 | 2 | 129155-61140 | LINK, L=30.5 MARK 05 | 1 | | | | | | | 1 |
| 11 | 2 | 129486-61201 | WEIGHT ASSY,GOVERNOR | 1 | | | | | | | |
| 11-1 | 2 | 129486-61202 | WEIGHT ASSY,GOVERNOR | 1 | | | | | | | R |
| (A=*2010.03) | | | | | | | | | | | |
| 15 | 2 | 129155-61341 | SLEEVE | 1 | | | | | | | Z 2 |
| (A=*2008.05) | | | | | | | | | | | |
| 16 | 2 | 129155-61350 | SLEEVE, L=24.9 | 1 | | | | | | | Z 2 |
| (A=*2008.05) | | | | | | | | | | | |
| 17 | 2 | 129155-61360 | SLEEVE, L=25.2 | 1 | | | | | | | 2 |
| 18 | 2 | 129052-61390 | SHAFT | 1 | | | | | | | |
| 19 | 2 | 129100-61400 | SHAFT ASSY | 1 | | | | | | | |
| 22 | 2 | 129155-61430 | SPACER | 1 | | | | | | | |
| 26 | 2 | 129155-61450 | BOLT, LIMITER | 2 | | | | | | | |
| 27 | 2 | 129155-61460 | BOLT, IDLE | 1 | | | | | | | |
| 28 | 2 | 129155-61480 | SPACER ASSY | 2 | | | | | | | |
| 33 | 2 | 119908-61501 | LEVER ASSY, GOVERNOR | 1 | | | | | | | |
| 34 | 3 | 174307-51700 | SHIM SET | 2 | | | | | | | |
| 52 | 3 | 129486-61540 | SPRING, SET | 1 | | | | | | | |
| 60 | 2 | 129155-61830 | O-RING, S10 | 1 | | | | | | | |
| 61 | 2 | 119660-61901 | RETAINER, SHAFT | 1 | | | | | | | |
| 62 | 2 | 129155-61950 | BOLT | 1 | | | | | | | |
| 63 | 2 | 129209-61370 | NUT, M6 | 1 | | | | | | | |
| 64 | 2 | 119600-66840 | NUT, CAP | 1 | | | | | | | |
| 65 | 2 | 22117-040000 | WASHER, 4 | 1 | | | | | | | |
| 66 | 2 | 22190-060003 | SEAL WASER 6 | 2 | | | | | | | |
| 67 | 2 | 22190-100002 | WASHER, SEAL 10 | 1 | | | | | | | |
| 68 | 2 | 22190-120002 | WASHER, SEAL 12 | 2 | | | | | | | |
| 69 | 2 | 22287-120000 | WASHER, 12 | 1 | | | | | | | |
| 70 | 2 | 22372-040000 | PIN, SNAP 4 | 2 | | | | | | | |
| 71 | 2 | 23887-100002 | PLUG, 10 | 1 | | | | | | | |
| 72 | 2 | 24341-000280 | O-RING, 1AS28.0 | 1 | | | | | | | |
| 72-1 | 2 | 158552-61900 | O-RING | 1 | | | | | | | N |
| (A=E03678) | | | | | | | | | | | |
| 73 | 2 | 26106-060102 | BOLT, M6X 10 PLATED | 1 | | | | | | | |
| 74 | 2 | 26106-060102 | BOLT, M6X 10 PLATED | 4 | | | | | | | |
| 75 | 2 | 26106-060142 | BOLT, M6X 14 PLATED | 2 | | | | | | | |
| 76 | 2 | 26106-060202 | BOLT, M6X 20 PLATED | 6 | | | | | | | |
| 77 | 2 | 26736-120002 | NUT, M12 | 1 | | | | | | | |
| 77-1 | 2 | 129209-61920 | NUT, ARB | 1 | | | | | | | R |
| (A=E07164) | | | | | | | | | | | |
| 78 | 2 | 26756-060002 | NUT, LOCK M6 | 2 | | | | | | | |
| 79 | 2 | 26776-120002 | NUT, LOCK M12 | 1 | | | | | | | |
| 80 | 2 | 129100-61440 | LEVER, CONTROL | 1 | | | | | | | |
| 81 | 2 | 120323-61470 | BOLT, CONTROL | 1 | | | | | | | |
| 82 | 2 | 129470-61650 | SPRING, FUEL CONTROL | 1 | | | | | | | |

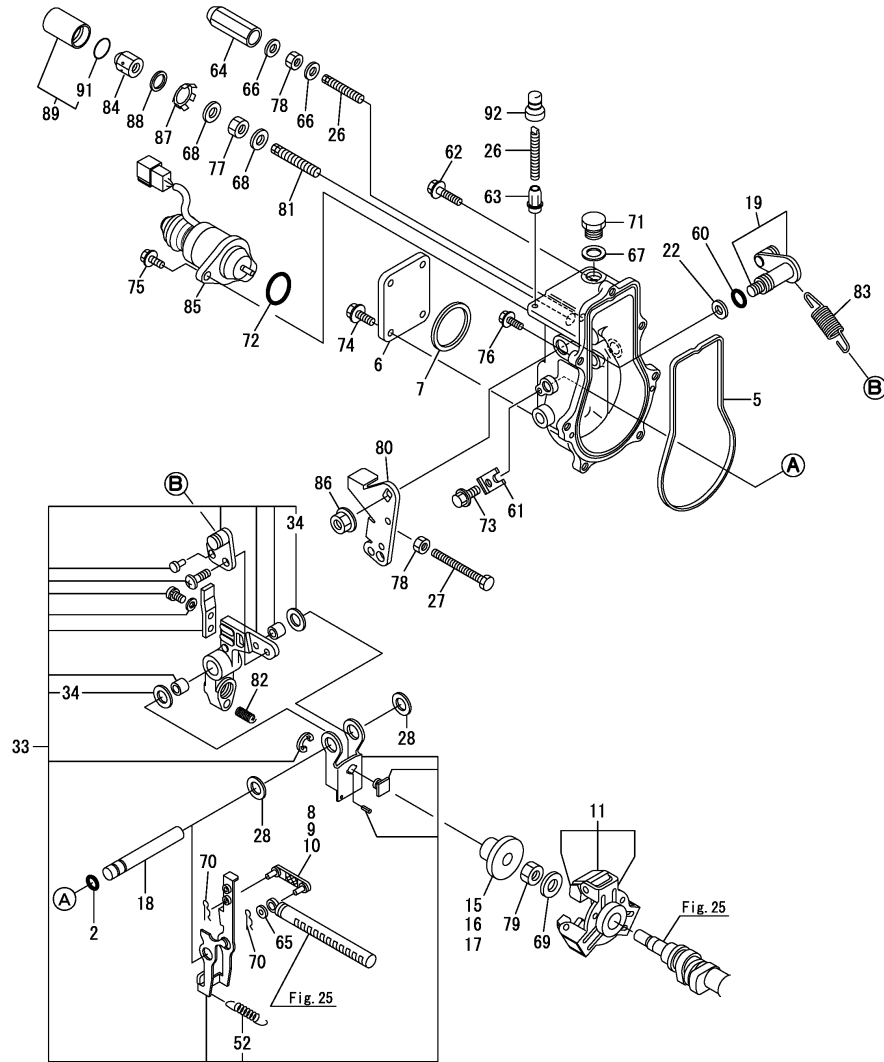
Remarks

- (1) Selective parts.
Certain the classification mark, then place your order(Refer to illustration).
- (2) Selective parts.

Fig.26. GOVERNOR

(A)=3JH4E
(B)=
(C)=

(D)=
(E)=
(F)=



| No. | Lev. | Parts No. | Description | Q'ty | | | | | | I | R |
|------|------|----------------------------|----------------------|------|-----|-----|-----|-----|-----|---|---|
| | | | | (A) | (B) | (C) | (D) | (E) | (F) | | |
| 82-1 | 2 | 119800-61650 (A=E00576) | SPRING, FUEL CONTROL | 1 | | | | | | | R |
| 83 | 2 | 171353-61700 | SPRING, GOVERNOR | 1 | | | | | | | |
| 84 | 2 | 129209-61930 | NUT, CAP | 1 | | | | | | | |
| 85 | 2 | 129271-77950 | SOLENOID, STOP | 1 | | | | | | | |
| 86 | 2 | 26366-080002 | NUT, M8 | 1 | | | | | | | |
| 87 | 2 | 129209-61970 | PLATE | 1 | | | | | | | |
| 88 | 2 | 23414-120016 | GASKET, 12X1.0 | 1 | | | | | | | |
| 89 | 1 | 129209-61940 | CASE ASSY | 1 | | | | | | | |
| 91 | 2 | 24311-000150 | O-RING, 1AP15.0 | 1 | | | | | | | |
| 92 | 1 | 119285-66610 | CAP, HIGH-IDLE | 1 | | | | | | | |

Remarks

- (1) Selective parts.
Certain the classification mark, then place your order(Refer to illustration).
- (2) Selective parts.

Fig.27. FUEL FEED PUMP

(A)=3JH4E
(B)=
(C)=

(D)=
(E)=
(F)=

| No. | Lev. | Parts No. | Description | Q'ty | | | | | | I | R |
|-----|------|----------------------------|----------------------|------|-----|-----|-----|-----|-----|---|---|
| | | | | (A) | (B) | (C) | (D) | (E) | (F) | | |
| 1 | 2 | 129158-52000 | PUMP ASSY, FUEL FEED | 1 | | | | | | | |
| 2 | 3 | 129155-52051 | GASKET | 1 | | | | | | | |
| 3 | 3 | 129158-52100 | PUMP ASSY, FUEL FEED | 1 | | | | | | | |
| 3-1 | 3 | 129158-52101 (A=E01544) | PUMP ASSY, FUEL FEED | 1 | | | | | | | N |

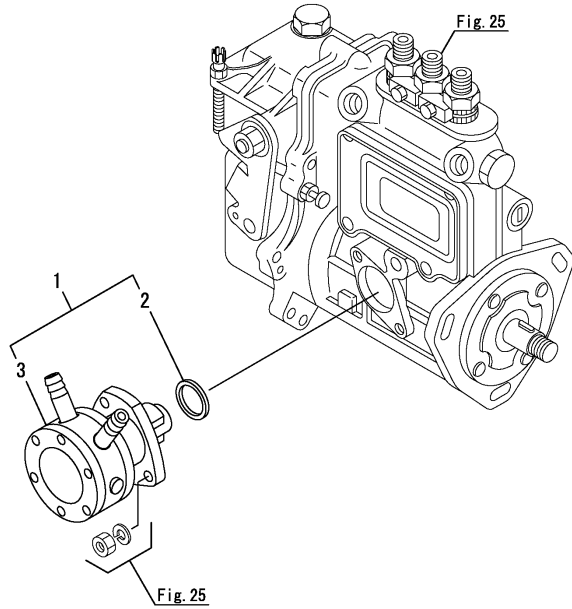
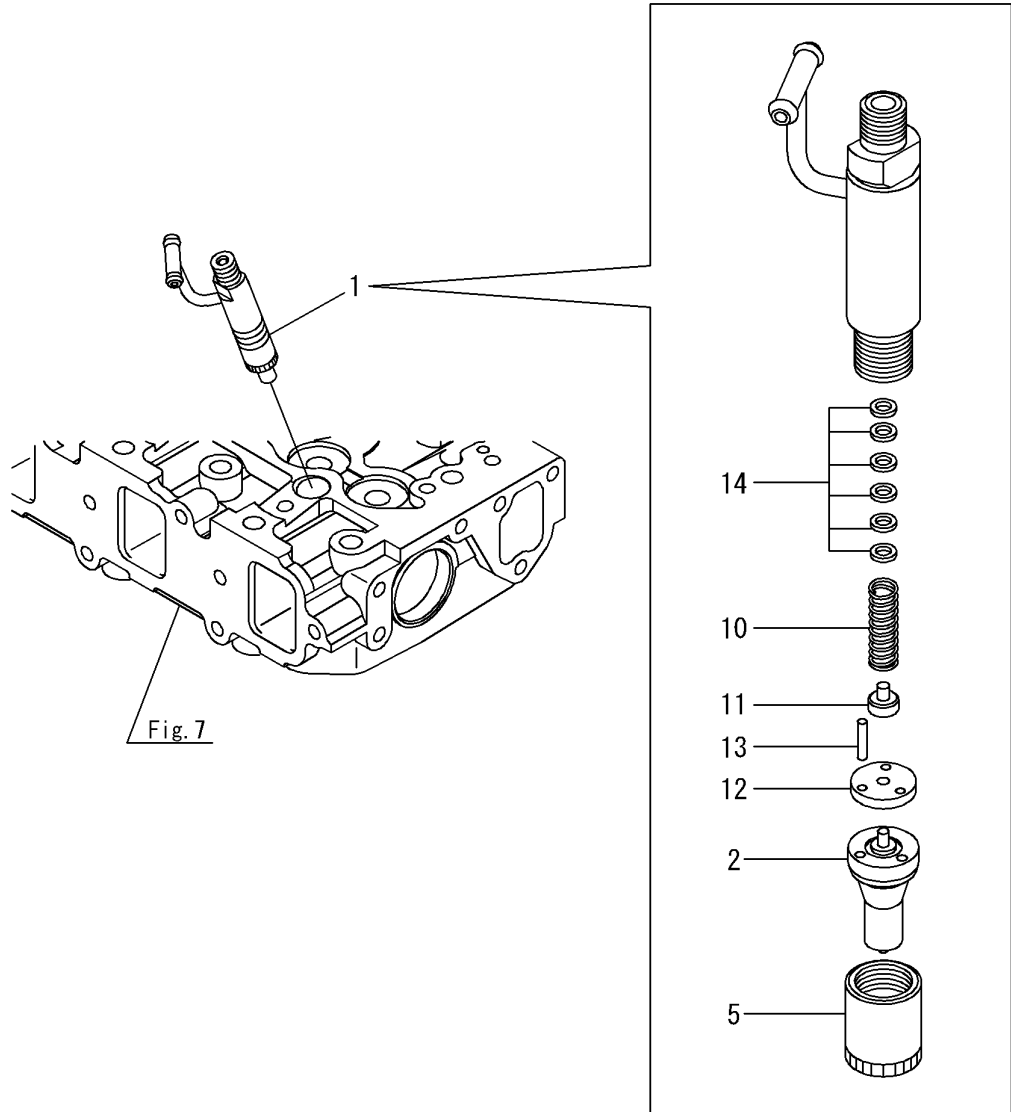


Fig.28. FUEL INJECTION VALVE



(A)=3JH4E
(B)=
(C)=

(D)=
(E)=
(F)=

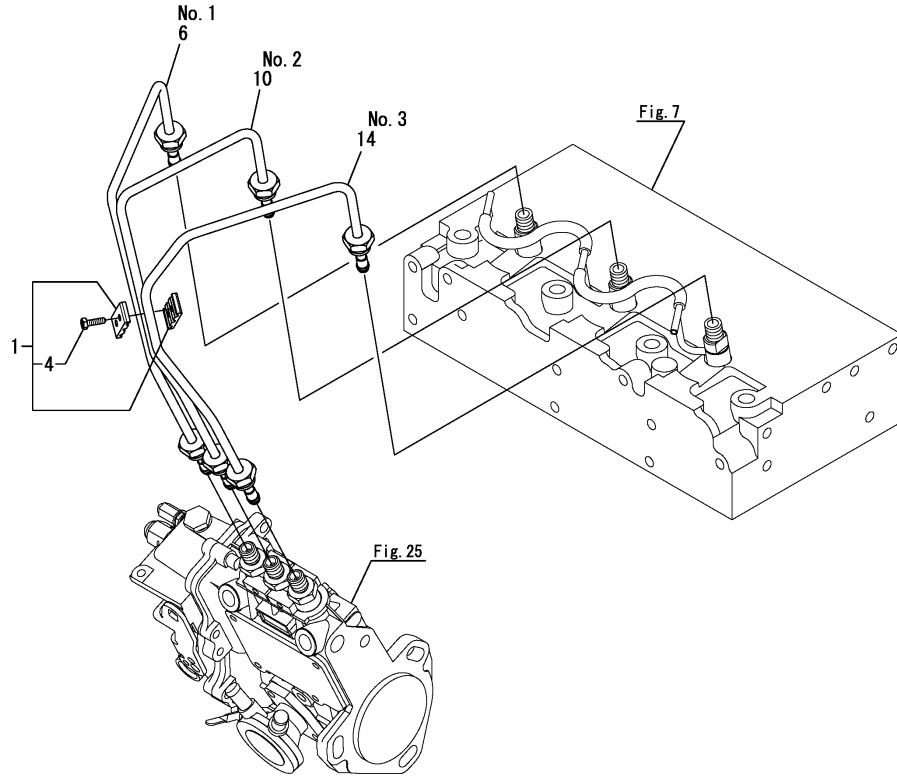
| No. | Lev. | Parts No. | Description | Q'ty | | | | | | I | R |
|------|------|--------------|----------------------|------|-----|-----|-----|-----|-----|---|---|
| | | | | (A) | (B) | (C) | (D) | (E) | (F) | | |
| 1 | 1 | 729602-53101 | VALVE ASSY,INJECTION | 3 | | | | | | | |
| 2 | 2 | 129602-53001 | VALVE ASSY,INJECTION | 3 | | | | | | | |
| 5 | 2 | 114250-53080 | NUT, NOZZLE D16.95 | 3 | | | | | | | |
| 10 | 2 | 114250-53120 | SPRING, NOZZLE | 3 | | | | | | | |
| 11 | 2 | 114250-53130 | SEAT, SPRING | 3 | | | | | | | |
| 12 | 2 | 114250-53140 | PLATE | 3 | | | | | | | |
| 13 | 2 | 114250-53210 | PIN | 6 | | | | | | | |
| 14 | 2 | 114250-53400 | SHIM SET | 3 | | | | | | | |
| 14-1 | 2 | 119803-53400 | SHIM SET | 3 | | | | | | | R |

(A=E06984)

Fig.29. FUEL INJECTION PIPE

(A)=3JH4E
(B)=
(C)=

(D)=
(E)=
(F)=



| No. | Lev. | Parts No. | Description | Q'ty | | | | | | I | R |
|-----|------|--------------|----------------------|------|-----|-----|-----|-----|-----|---|---|
| | | | | (A) | (B) | (C) | (D) | (E) | (F) | | |
| 1 | 1 | 129150-59120 | RETAINER, PIPE | 1 | | | | | | | |
| 4 | 2 | 129150-59131 | BOLT, M4X14 | 2 | | | | | | | |
| 6 | 1 | 129271-59810 | PIPE ASSY, INJECTION | 1 | | | | | | | |
| 10 | 1 | 129271-59820 | PIPE ASSY, INJECTION | 1 | | | | | | | |
| 14 | 1 | 129271-59830 | PIPE ASSY, INJECTION | 1 | | | | | | | |

Fig.30. FUEL PIPE & FUEL STRAINER

(A)=3JH4E

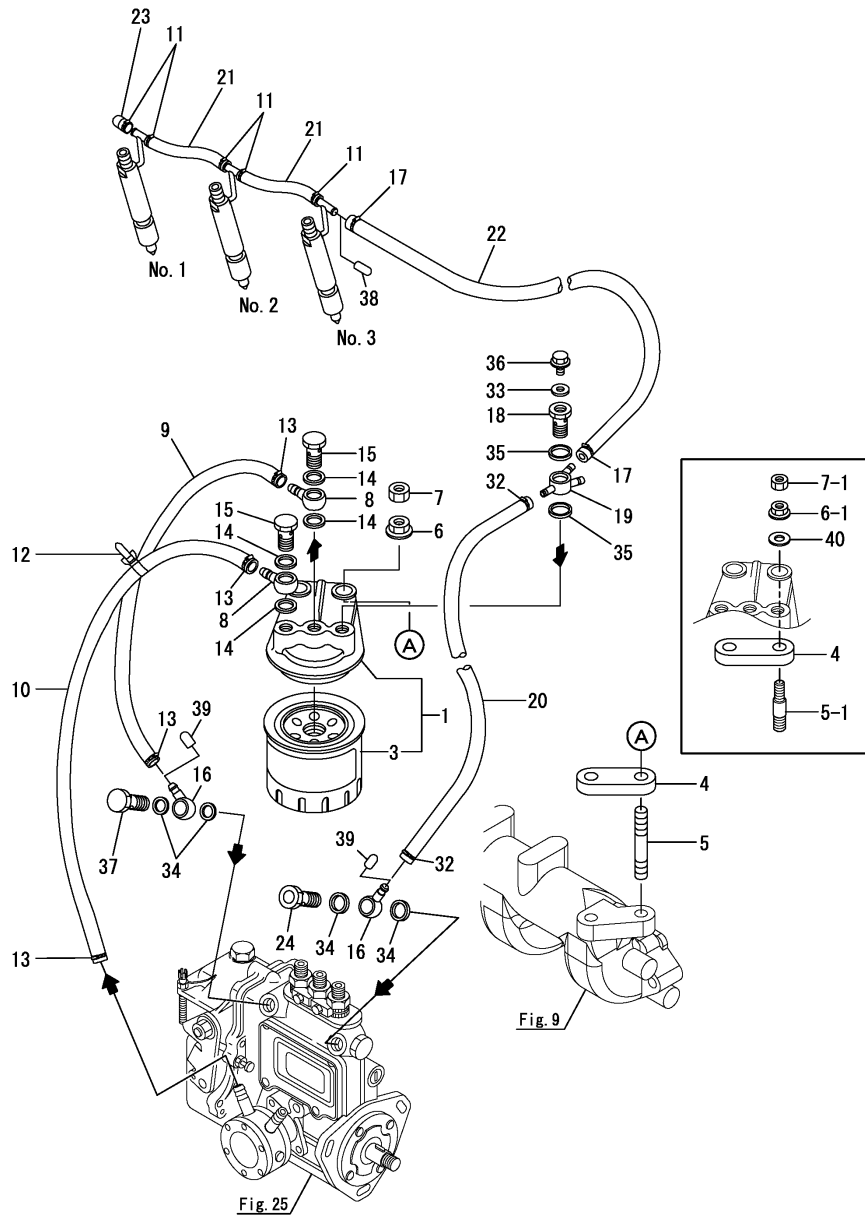
(B)=

(C)=

(D)=

(E)=

(F)=



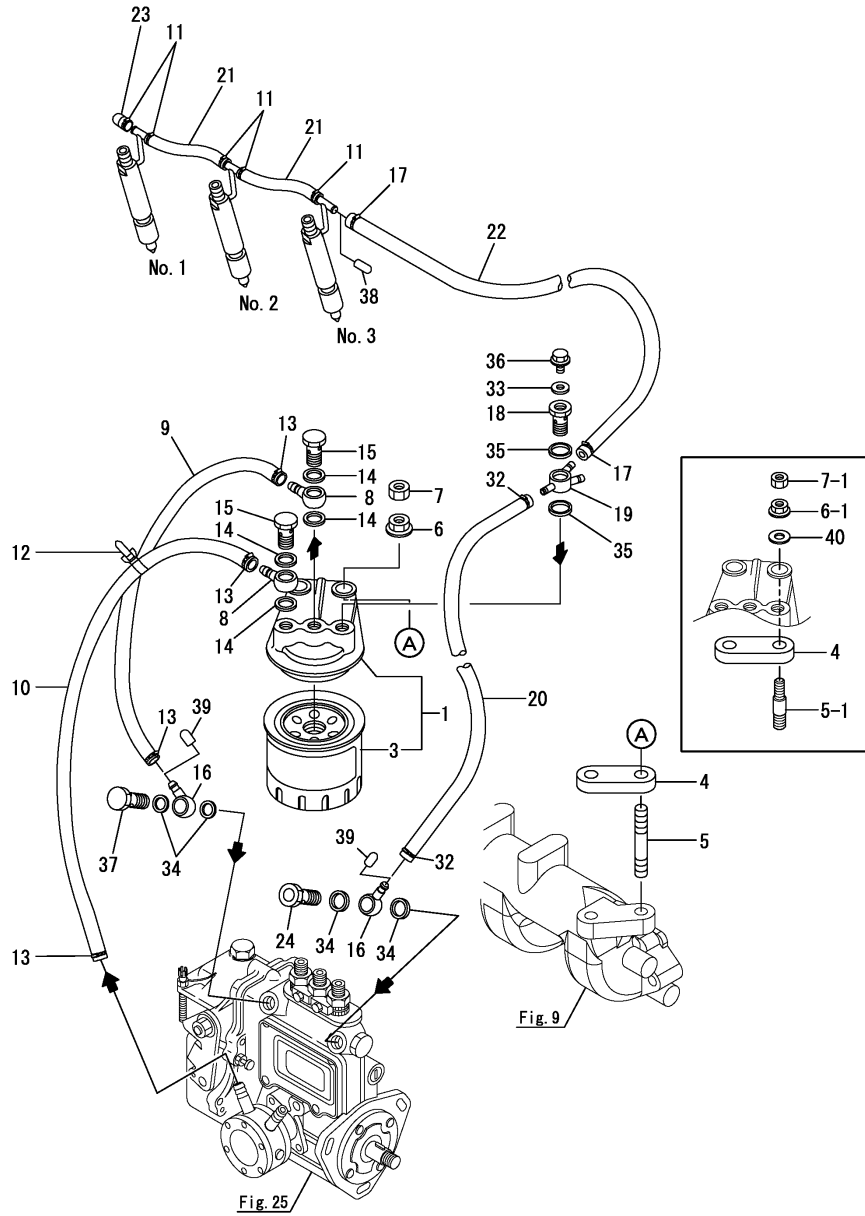
| No. | Lev. | Parts No. | Description | Q'ty | | | | | | I | R |
|--------------|------|--------------|---------------------|------|-----|-----|-----|-----|-----|---|---|
| | | | | (A) | (B) | (C) | (D) | (E) | (F) | | |
| 1 | 1 | 129470-55601 | FILTER ASSY, FUEL | 1 | | | | | | | |
| 3 | 2 | 129470-55701 | STRAINER ASSY, FUEL | 1 | | | | | | | |
| 3-1 | 2 | 129470-55702 | FILTER, FUEL | 1 | | | | | | | R |
| (A=E00409) | | | | | | | | | | | |
| 3-2 | 2 | 129470-55703 | FILTER, FUEL | 1 | | | | | | | R |
| (A=E03880) | | | | | | | | | | | |
| 4 | 1 | 119173-55700 | RUBBER | 1 | | | | | | | |
| 4-1 | 1 | 129670-55700 | RUBBER | 1 | | | | | | | R |
| (A=*2005.06) | | | | | | | | | | | |
| 5 | 1 | 26216-100402 | STUD, M10X 40 | 2 | | | | | | | |
| 5-1 | 1 | 129271-55660 | BOLT,FO FILTER BRK | 2 | | | | | | | S |
| (A=*2005.03) | | | | | | | | | | | |
| 6 | 1 | 26306-100002 | NUT, M10 | 2 | | | | | | | |
| 6-1 | 1 | 26306-080002 | NUT, M8 | 2 | | | | | | | S |
| (A=*2005.03) | | | | | | | | | | | |
| 7 | 1 | 26716-100002 | NUT, M10 | 2 | | | | | | | |
| 7-1 | 1 | 26716-080002 | NUT, M8 | 2 | | | | | | | S |
| (A=*2005.03) | | | | | | | | | | | |
| 8 | 1 | 101304-59020 | JOINT, PIPE 12 | 2 | | | | | | | |
| 9 | 1 | 129470-59122 | PIPE, FUEL | 1 | | | | | | | |
| 9-1 | 1 | 129670-59120 | PIPE, FUEL OIL | 1 | | | | | | | R |
| (A=*2005.05) | | | | | | | | | | | |
| 10 | 1 | 129570-59121 | PIPE, FUEL | 1 | | | | | | | |
| 10-1 | 1 | 129670-59130 | PIPE, FUEL OIL | 1 | | | | | | | R |
| (A=*2005.05) | | | | | | | | | | | |
| 11 | 1 | 23000-013000 | CLAMP, 13 | 5 | | | | | | | |
| 12 | 1 | 121750-59890 | BAND, 140 | 1 | | | | | | | |
| 13 | 1 | 23000-016000 | CLAMP, 16 | 4 | | | | | | | |
| 14 | 1 | 22190-120002 | WASHER, SEAL 12 | 4 | | | | | | | |
| 15 | 1 | 23857-060000 | BOLT, JOINT 6 | 2 | | | | | | | |
| 16 | 1 | 101304-59020 | JOINT, PIPE 12 | 2 | | | | | | | |
| 17 | 1 | 23000-013000 | CLAMP, 13 | 2 | | | | | | | |
| 18 | 1 | 129495-59300 | BOLT, PIPE JOINT | 1 | | | | | | | |
| 18-1 | 1 | 129271-59300 | BOLT, JOINT | 1 | | | | | | | R |
| (A=*2007.02) | | | | | | | | | | | |
| 19 | 1 | 129470-59530 | JOINT, PIPE | 1 | | | | | | | |
| 19-1 | 1 | 129271-59530 | JOINT | 1 | | | | | | | R |
| (A=*2007.02) | | | | | | | | | | | |
| 20 | 1 | 129470-59542 | PIPE, FUEL | 1 | | | | | | | |
| 20-1 | 1 | 128990-59540 | PIPE, FUEL | 1 | | | | | | | R |
| (A=*2005.05) | | | | | | | | | | | |
| 21 | 1 | 129270-59550 | PIPE, FUEL | 2 | | | | | | | |
| 22 | 1 | 129470-59562 | PIPE, FUEL | 1 | | | | | | | |
| 22-1 | 1 | 129670-59560 | PIPE, FUEL OIL | 1 | | | | | | | R |
| (A=*2005.05) | | | | | | | | | | | |
| 23 | 1 | 129270-59580 | CAP | 1 | | | | | | | |
| 24 | 1 | 129100-59951 | VALVE ASSY, CHECK | 1 | | | | | | | |
| 24-1 | 1 | 119813-59950 | VALVE ASSY, CHECK | 1 | | | | | | | N |
| (A=E00576) | | | | | | | | | | | |
| 32 | 1 | 23000-016000 | CLAMP, 16 | 2 | | | | | | | |
| 33 | 1 | 22190-080002 | WASHER, SEAL 8 | 1 | | | | | | | |

N:Old $\xrightarrow{\text{Yes}}$ New, Q:Old $\xrightarrow{\text{No}}$ New, R:Old $\xrightarrow{\text{Yes}}$ New, S:Old $\xrightarrow{\text{No}}$ New, W:Add, Z:Discontinued, F:Interchangeable by set, K:Q'ty Change
 ++ CONTINUE ++
 Copyright (C) 2014 YANMAR CO., LTD. All Rights Reserved.

Fig.30. FUEL PIPE & FUEL STRAINER

(A)=3JH4E
(B)=
(C)=

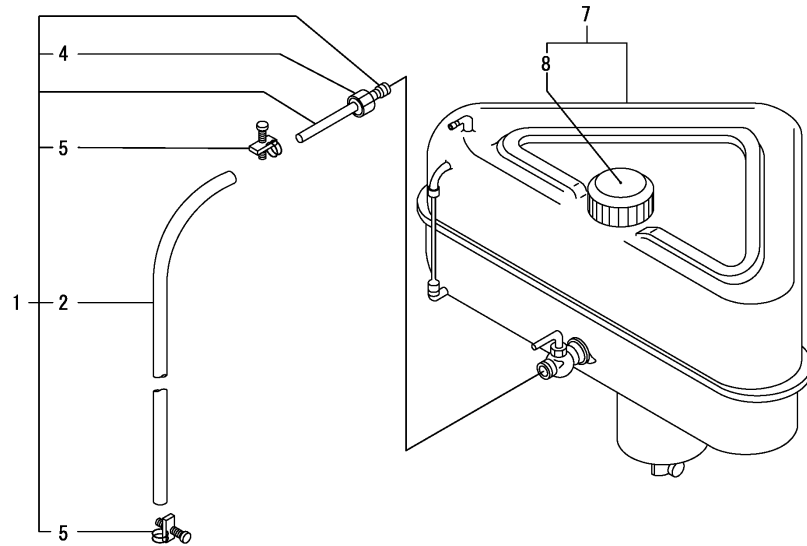
(D)=
(E)=
(F)=



| No. | Lev. | Parts No. | Description | Q'ty | | | | | | I | R |
|-----|------|--------------|---------------------|------|-----|-----|-----|-----|-----|---|---|
| | | | | (A) | (B) | (C) | (D) | (E) | (F) | | |
| 34 | 1 | 22190-120002 | WASHER, SEAL 12 | 4 | | | | | | | |
| 35 | 1 | 22190-140002 | WASHER, SEAL 14 | 2 | | | | | | | |
| 36 | 1 | 26106-080102 | BOLT, M8X 10 PLATED | 1 | | | | | | | |
| 37 | 1 | 23857-060000 | BOLT, JOINT 6 | 1 | | | | | | | |
| 38 | 1 | 129150-59580 | CAP | 1 | | | | | | | |
| 39 | 1 | 129461-59580 | CAP, FUEL OIL | 2 | | | | | | | |
| 40 | 1 | 22137-080000 | WASHER, 8 | 2 | | | | | | | W |

(A=*2005.03)

Fig.31. FUEL TANK(OPTIONAL)



(A)=3JH4E
(B)=
(C)=

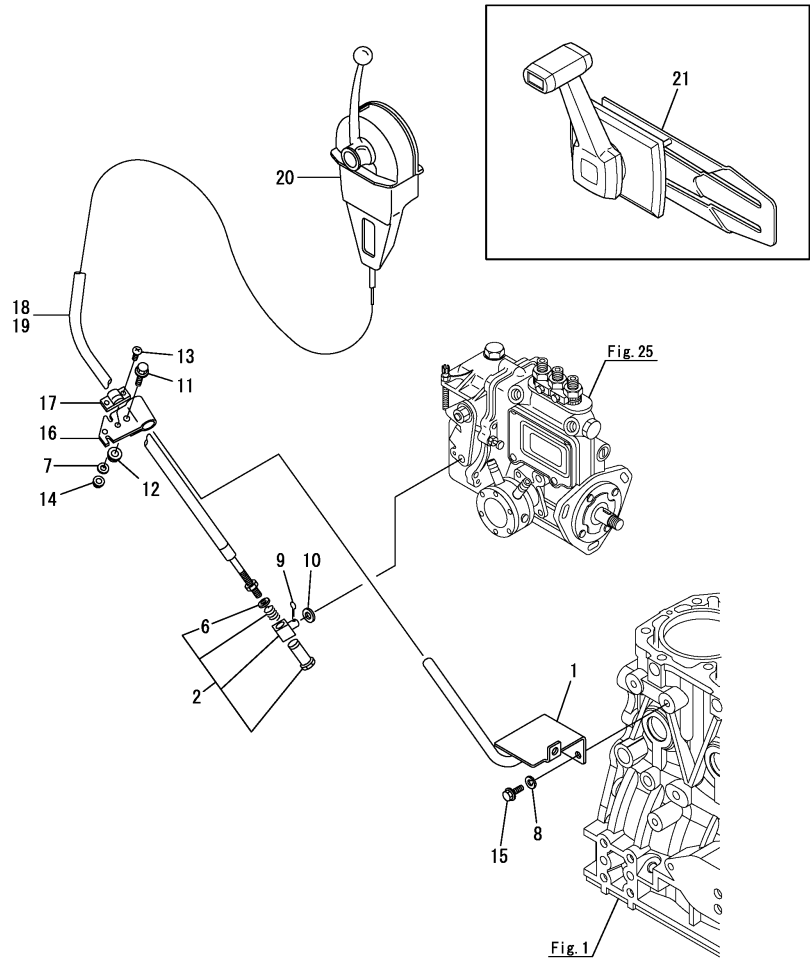
(D)=
(E)=
(F)=

| No. | Lev. | Parts No. | Description | Q'ty | | | | | | I | R |
|--------------|------|--------------|---------------------|------|-----|-----|-----|-----|-----|---|---|
| | | | | (A) | (B) | (C) | (D) | (E) | (F) | | |
| 1 | 1 | 124070-59060 | PIPE ASSY, FUEL | 1 | | | | | | | |
| 1-1 | 1 | 128990-59700 | PIPE ASSY, FUEL | 1 | | | | | | | N |
| (A=*2004.02) | | | | | | | | | | | |
| 2 | 2 | 124070-59130 | PIPE, FUEL 2M | 1 | | | | | | | |
| 2-1 | 2 | 128990-59131 | PIPE, FUEL | 1 | | | | | | | N |
| (A=*2004.02) | | | | | | | | | | | |
| 4 | 2 | 138603-59380 | CAP NUT | 1 | | | | | | | |
| 5 | 2 | 23010-014000 | CLAMP, 14 | 2 | | | | | | | |
| 7 | 1 | 83213-003012 | TANK ASSY, FUEL OIL | 1 | | | | | | | |
| 8 | 2 | 105430-55041 | CAP ASSY | 1 | | | | | | | |

Fig.32. CABLE SUPPORT

(A)=3JH4E
(B)=
(C)=

(D)=
(E)=
(F)=



| No. | Lev. | Parts No. | Description | Q'ty | | | | | | I | R |
|--------------|------|--------------|---------------------|------|-----|-----|-----|-----|-----|---|-----|
| | | | | (A) | (B) | (C) | (D) | (E) | (F) | | |
| 1 | 1 | 129271-67100 | BRACKET, GOVERNOR | 1 | | | | | | | |
| 2 | 1 | 129470-67200 | RETAINER ASSY | 1 | | | | | | | |
| 6 | 2 | 22242-000100 | RING, 10 | 1 | | | | | | | |
| 7 | 1 | 22217-050000 | WASHER, SPRING 5 | 2 | | | | | | | |
| 8 | 1 | 22217-080000 | WASHER, SPRING 8 | 2 | | | | | | | |
| 9 | 1 | 22414-250150 | PIN, COTTER 2.5X15 | 1 | | | | | | | |
| 10 | 1 | 23414-080000 | GASKET, 8X1.0 | 1 | | | | | | | |
| 11 | 1 | 26106-080252 | BOLT, M8X 25 PLATED | 1 | | | | | | | |
| 12 | 1 | 26306-080002 | NUT, M8 | 1 | | | | | | | |
| 13 | 1 | 26557-050122 | SCREW, M5X12 | 2 | | | | | | | |
| 14 | 1 | 26716-050002 | NUT, M5 | 2 | | | | | | | |
| 15 | 1 | 26106-080122 | BOLT, M8X 12 PLATED | 2 | | | | | | | |
| 16 | 1 | 41701-001720 | BRACKET | 1 | | | | | | | |
| 16-1 | 1 | 129670-67110 | BRACKET | 1 | | | | | | | R |
| (A=*2006.01) | | | | | | | | | | | |
| 17 | 1 | 41710-000410 | CLAMP | 1 | | | | | | | |
| 18 | 1 | 41710-000380 | CABLE L=4000 | 2 | | | | | | | 1 |
| 18-1 | 1 | 27730-301400 | CABLE (L=4000) | 2 | | | | | | | R 1 |
| (A=*2012.07) | | | | | | | | | | | |
| 19 | 1 | 129470-86500 | CABLE, L=7000 | 2 | | | | | | | 1 |
| 20 | 1 | 41730-000681 | MT-3 REMO-CON | 1 | | | | | | | 1 |
| 21 | 1 | 128170-86501 | REMOCON HEAD (MN | 1 | | | | | | | 1 |

Remarks
(1)Optional parts.

Fig.33. CLUTCH

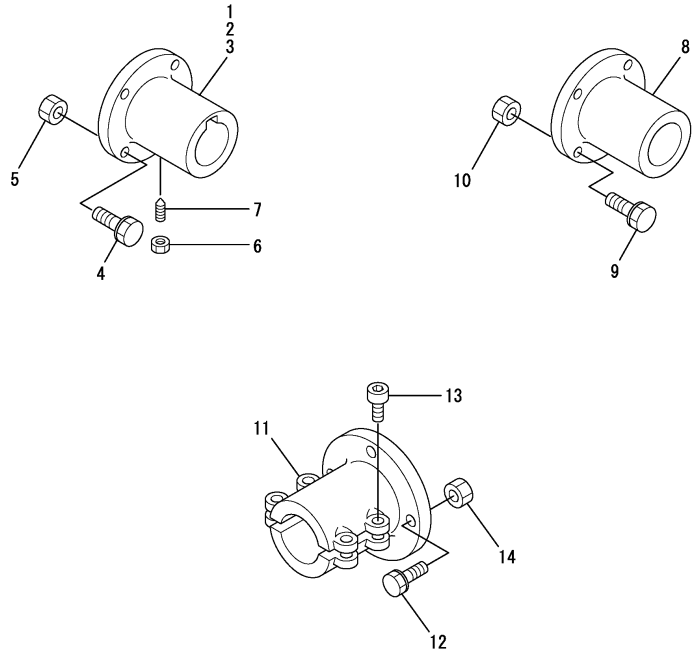
(A)=3JH4E
(B)=
(C)=

(D)=
(E)=
(F)=

| No. | Lev. | Parts No. | Description | Q'ty | | | | | | I | R |
|-----|------|--------------|---------------------|------|-----|-----|-----|-----|-----|---|---|
| | | | | (A) | (B) | (C) | (D) | (E) | (F) | | |
| 1 | 1 | 129270-81120 | CLUTCH ASSY, l=2.61 | 1 | | | | | | | |
| 2 | 1 | 129270-81110 | CLUTCH ASSY, 2.36 | 1 | | | | | | | |
| 3 | 1 | 129270-81170 | CLUTCH ASSY, 2.33 | 1 | | | | | | | |
| 4 | 1 | 129270-81180 | CLUTCH ASSY, l=2.64 | 1 | | | | | | | |
| 5 | 1 | 128170-13600 | STUD, M8X31 | 2 | | | | | | | |
| 5-1 | 1 | 129670-13600 | STUD | 2 | | | | | | | R |
| | | | (A=*2006.07) | | | | | | | | |
| 6 | 1 | 26106-080202 | BOLT, M8X 20 PLATED | 6 | | | | | | | |
| 7 | 1 | 26366-080002 | NUT, M8 | 2 | | | | | | | |
| 8 | 1 | 129670-77800 | CLUTCH ASSY | 1 | | | | | | | W |
| | | | (A=*2007.01) | | | | | | | | |
| 9 | 1 | 129670-77810 | CLUTCH ASSY | 1 | | | | | | | W |
| | | | (A=*2007.01) | | | | | | | | |
| 10 | 1 | 129670-77820 | CLUTCH ASSY | 1 | | | | | | | W |
| | | | (A=*2007.01) | | | | | | | | |
| 11 | 1 | 129670-77830 | CLUTCH ASSY | 1 | | | | | | | W |
| | | | (A=*2007.01) | | | | | | | | |

Remarks
* This figure are not illustrated.

Fig.34. COUPLING(OPTIONAL)



(A)=3JH4E
(B)=
(C)=

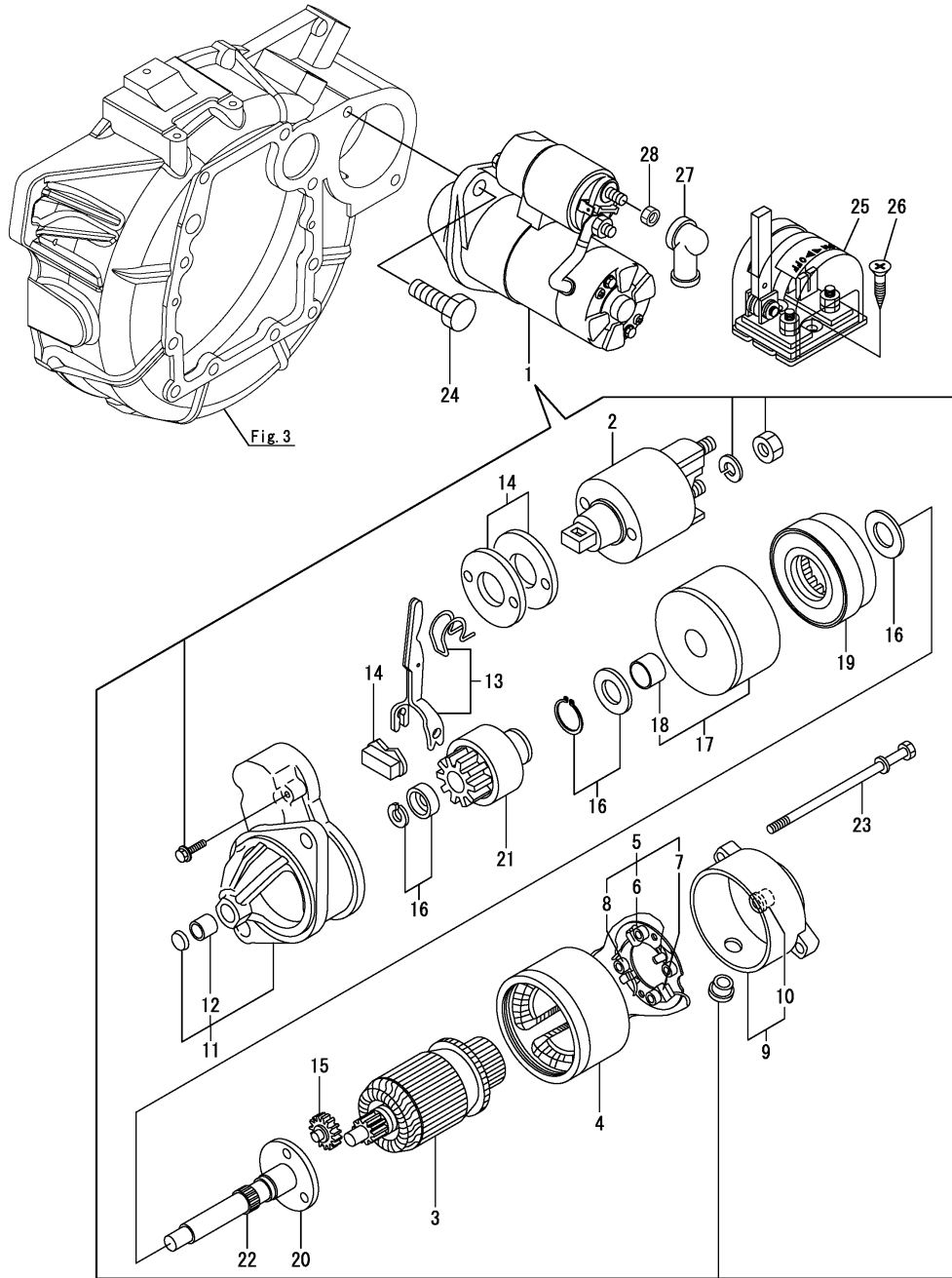
(D)=
(E)=
(F)=

| No. | Lev. | Parts No. | Description | Q'ty | | | | | | I | R |
|--------------|------|--------------|----------------------|------|-----|-----|-----|-----|-----|---|---|
| | | | | (A) | (B) | (C) | (D) | (E) | (F) | | |
| 1 | 1 | 48110-032502 | COUPLING, 30 | 1 | | | | | | | 1 |
| 2 | 1 | 129171-85900 | COUPLING, TAPER 32 | 1 | | | | | | | 1 |
| 3 | 1 | 129670-85900 | COUPLING, TAPER 34 | 1 | | | | | | | 1 |
| 4 | 1 | 26106-100322 | BOLT, M10X 32 PLATED | 4 | | | | | | | |
| 5 | 1 | 26706-100002 | NUT, M10 | 4 | | | | | | | |
| 6 | 1 | 26756-080002 | NUT, LOCK M8 | 1 | | | | | | | |
| 7 | 1 | 48110-032411 | SCREW | 1 | | | | | | | |
| 8 | 1 | 105583-85900 | COUPLING, 22 | 1 | | | | | | | 2 |
| 9 | 1 | 26106-100322 | BOLT, M10X 32 PLATED | 4 | | | | | | | |
| 10 | 1 | 26706-100002 | NUT, M10 | 4 | | | | | | | |
| 11 | 1 | 104214-83980 | COUPLING | 1 | | | | | | | 3 |
| 12 | 1 | 26106-100322 | BOLT, M10X 32 PLATED | 4 | | | | | | | |
| 13 | 1 | 26450-080282 | BOLT, M8X 28 | 4 | | | | | | | |
| 13-1 | 1 | 26450-080302 | BOLT, M8X 30 | 4 | | | | | | | R |
| (A=*2008.01) | | | | | | | | | | | |
| 14 | 1 | 26706-100002 | NUT, M10 | 4 | | | | | | | |

Remarks

- (1)Taper type
- (2)Straight type
- (3)Slit type.

Fig.35. STARTING MOTOR

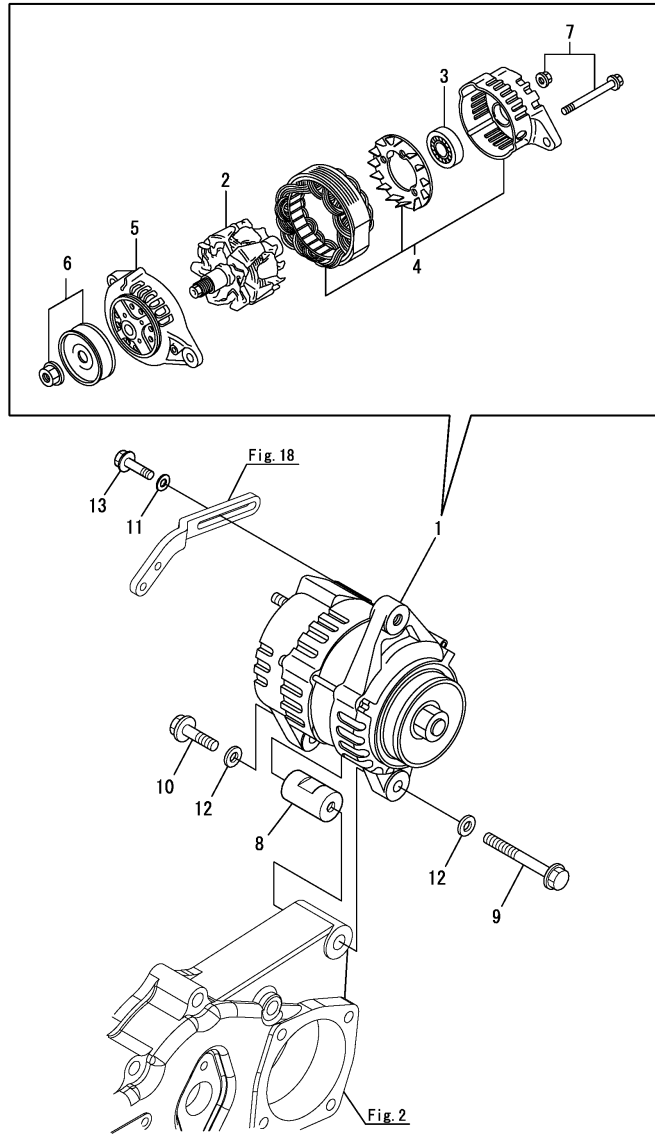


(A)=3JH4E
(B)=
(C)=

(D)=
(E)=
(F)=

| No. | Lev. | Parts No. | Description | Q'ty | | | | | | I | R |
|------|------|--------------|----------------------|------|-----|-----|-----|-----|-----|---|---|
| | | | | (A) | (B) | (C) | (D) | (E) | (F) | | |
| 1 | 1 | 129608-77010 | STARTER, S114-817A | 1 | | | | | | | |
| 2 | 2 | 129698-77020 | SWITCH ASSY | 1 | | | | | | | |
| 3 | 2 | 129698-77101 | ARMATURE ASSY | 1 | | | | | | | |
| 4 | 2 | 129608-77110 | YOKE ASSY | 1 | | | | | | | |
| 5 | 2 | 129698-77120 | HOLDER ASSY, BRUSH | 1 | | | | | | | |
| 6 | 3 | 129698-77140 | BRUSH SET | 1 | | | | | | | |
| 7 | 3 | 129698-77130 | BRUSH | 2 | | | | | | | |
| 8 | 3 | 129698-77150 | SPRING, BRUSH | 4 | | | | | | | |
| 9 | 2 | 129698-77161 | COVER ASSY | 1 | | | | | | | |
| 10 | 3 | 129698-77170 | BEARING | 1 | | | | | | | |
| 11 | 2 | 129698-77260 | CASE ASSY | 1 | | | | | | | |
| 12 | 3 | X2114535200 | METAL, STARTER | 1 | | | | | | | |
| 13 | 2 | 129698-77270 | LEVER SET, SHIFT | 1 | | | | | | | |
| 14 | 2 | 129698-77280 | COVER KIT | 1 | | | | | | | |
| 15 | 2 | 129698-77240 | GEAR | 3 | | | | | | | |
| 16 | 2 | 129698-77250 | WASHER SET | 1 | | | | | | | |
| 17 | 2 | 129698-77180 | BRACKET | 1 | | | | | | | |
| 18 | 3 | 129698-77190 | BRACKET | 1 | | | | | | | |
| 19 | 2 | 129698-77200 | GEAR, INTERNAL | 1 | | | | | | | |
| 20 | 2 | 129698-77210 | BRACKET | 1 | | | | | | | |
| 21 | 2 | 129698-77220 | PINION ASSY | 1 | | | | | | | |
| 22 | 2 | 129698-77230 | SHAFT | 1 | | | | | | | |
| 23 | 2 | 124195-77770 | BOLT, THROUGH | 2 | | | | | | | |
| 24 | 1 | 26116-120302 | BOLT, M12X 30 PLATED | 2 | | | | | | | |
| 25 | 1 | 123310-77640 | SWITCH, BATTERY | 1 | | | | | | | |
| 26 | 1 | 22724-800380 | SCREW, 8.0X38 | 2 | | | | | | | |
| 27 | 1 | 124550-77030 | COVER, TERMINAL | 1 | | | | | | | |
| 27-1 | 1 | 129670-77030 | COVER, TERMINAL | 1 | | | | | | | R |
| | | (A=*2004.11) | | | | | | | | | |
| 28 | 1 | 26756-080002 | NUT, LOCK M8 | 1 | | | | | | | W |
| | | (A=*2004.11) | | | | | | | | | |

Fig.36. GENERATOR(12V-60A)



(A)=3JH4E
(B)=
(C)=

(D)=
(E)=
(F)=

| No. | Lev. | Parts No. | Description | Q'ty | | | | | | I | R |
|------|------|--------------|----------------------|------|-----|-----|-----|-----|-----|---|---|
| | | | | (A) | (B) | (C) | (D) | (E) | (F) | | |
| 1 | 1 | 128271-77200 | GENERATOR, 12V-60A | 1 | | | | | | | 1 |
| 2 | 2 | 123900-77700 | ROTOR ASSY | 1 | | | | | | | |
| 3 | 2 | 129612-77710 | BEARING, BALL | 1 | | | | | | | |
| 3-1 | 2 | 129900-77810 | BEARING, BALL | 1 | | | | | | | R |
| | | (A=*2005.02) | | | | | | | | | |
| 4 | 2 | 128271-77720 | BRACKET(STATOR+REGUL | 1 | | | | | | | |
| 4-1 | 2 | 128271-77730 | BRACKET(STATOR+REGUL | 1 | | | | | | | N |
| | | (A=*2005.02) | | | | | | | | | |
| 5 | 2 | 123900-77730 | BRACKET ASSY | 1 | | | | | | | |
| 6 | 2 | 128271-77740 | PULLEY | 1 | | | | | | | |
| 7 | 2 | 128271-77750 | SCREW KIT | 1 | | | | | | | |
| 8 | 1 | 129670-77340 | PIECE, DISTANCE | 1 | | | | | | | |
| 8-1 | 1 | 129670-77350 | PIECE | 1 | | | | | | | R |
| | | (A=*2004.04) | | | | | | | | | |
| 9 | 1 | 129695-77370 | BOLT, M10X75 | 1 | | | | | | | |
| 9-1 | 1 | 129695-77371 | BOLT, M10X70 | 1 | | | | | | | N |
| | | (A=*2006.02) | | | | | | | | | |
| 9-2 | 1 | 129670-77370 | BOLT 10X 70 | 1 | | | | | | | R |
| | | (A=*2007.12) | | | | | | | | | |
| 10 | 1 | 129695-77380 | BOLT, M10X30 | 1 | | | | | | | |
| 10-1 | 1 | 129670-77380 | BOLT 10X 30 | 1 | | | | | | | R |
| | | (A=*2007.12) | | | | | | | | | |
| 11 | 1 | 22137-080000 | WASHER, 8 | 1 | | | | | | | |
| 12 | 1 | 22137-100000 | WASHER, 10 | 2 | | | | | | | |
| 13 | 1 | 26106-080252 | BOLT, M8X 25 PLATED | 1 | | | | | | | |

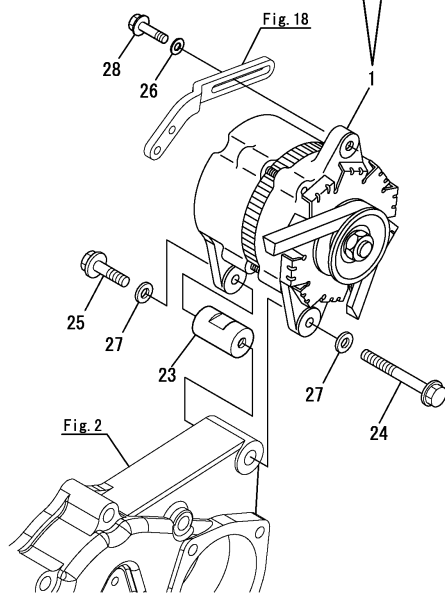
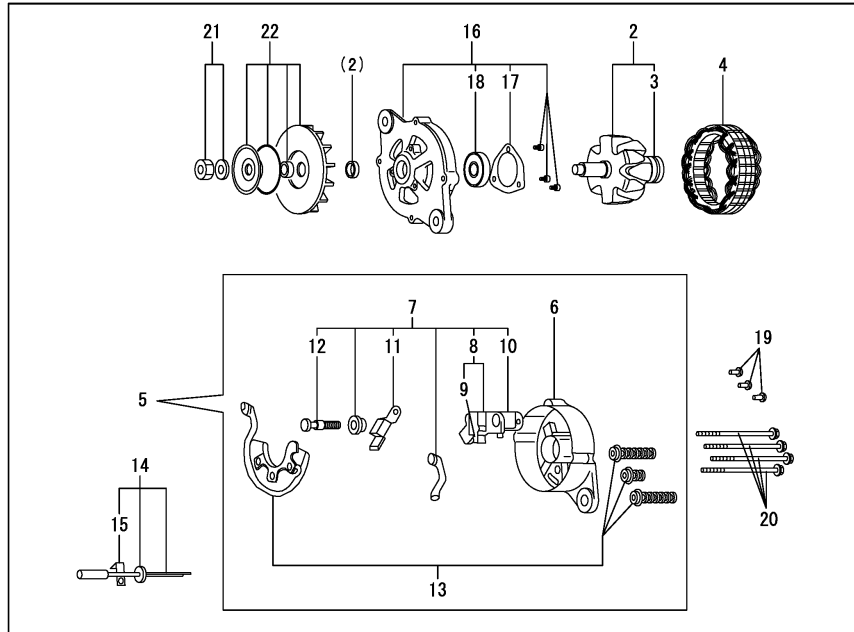
Remarks

(1)12V-60A : Changed to optional parts from standard parts.

Fig.37. GENERATOR(12V-80A)

(A)=3JH4E
(B)=
(C)=

(D)=
(E)=
(F)=



| No. | Lev. | Parts No. | Description | Q'ty | | | | | | I | R |
|--------------|------|--------------|----------------------|------|-----|-----|-----|-----|-----|---|---|
| | | | | (A) | (B) | (C) | (D) | (E) | (F) | | |
| 1 | 1 | 119573-77201 | ALTERNATER(12V-80A | 1 | | | | | | | 1 |
| 2 | 2 | XL180G61000 | ROTOR ASSY | 1 | | | | | | | |
| 3 | 3 | 119129-77320 | BEARING, BALL | 1 | | | | | | | |
| 4 | 2 | XL180120000 | STATOR ASSY | 1 | | | | | | | |
| 5 | 2 | XL180G63006 | COVER ASSY, REAR | 1 | | | | | | | |
| 6 | 3 | XL180G13012 | COVER, REAR | 1 | | | | | | | |
| 7 | 3 | XL180G43150 | BRUSH ASSY,REGULATOR | 1 | | | | | | | |
| 8 | 4 | XL155G1330 | BRUSH ASSY | 1 | | | | | | | |
| 9 | 5 | XL225G1325 | BRUSH SET | 2 | | | | | | | |
| 10 | 4 | 124080-77390 | REGULATOR ASSY | 1 | | | | | | | |
| 11 | 4 | XL225431800 | CONDENSER ASSY | 1 | | | | | | | |
| 12 | 4 | 124080-77520 | BOLT M5 | 2 | | | | | | | |
| 13 | 3 | XL1808320 | DIODE ASY | 1 | | | | | | | |
| 14 | 3 | 119129-77250 | WIRE, LEAD | 1 | | | | | | | |
| 15 | 4 | 119129-77260 | CLAMP | 1 | | | | | | | |
| 16 | 2 | XL235340110 | COVER ASSY, FRONT | 1 | | | | | | | |
| 17 | 3 | XL150M14041 | RETAINER | 1 | | | | | | | |
| 18 | 3 | X6303BM0000 | BEARING, BALL | 1 | | | | | | | |
| 19 | 2 | 119129-77930 | SCREW KIT | 1 | | | | | | | |
| 20 | 2 | 119129-77890 | BOLT, THROUGH | 4 | | | | | | | |
| 21 | 2 | 119129-77900 | NUT ASSY, PULLEY | 1 | | | | | | | |
| 22 | 2 | XL180G85001 | PULLEY ASSY | 1 | | | | | | | |
| 23 | 1 | 129670-77340 | PIECE, DISTANCE | 1 | | | | | | | |
| 23-1 | 1 | 129670-77350 | PIECE | 1 | | | | | | | R |
| (A=*2004.04) | | | | | | | | | | | |
| 24 | 1 | 129695-77370 | BOLT, M10X75 | 1 | | | | | | | |
| 24-1 | 1 | 129695-77371 | BOLT, M10X70 | 1 | | | | | | | N |
| (A=*2006.02) | | | | | | | | | | | |
| 24-2 | 1 | 129670-77370 | BOLT 10X 70 | 1 | | | | | | | R |
| (A=*2007.12) | | | | | | | | | | | |
| 25 | 1 | 129695-77380 | BOLT, M10X30 | 1 | | | | | | | |
| 25-1 | 1 | 129670-77380 | BOLT 10X 30 | 1 | | | | | | | R |
| (A=*2007.12) | | | | | | | | | | | |
| 26 | 1 | 22137-080000 | WASHER, 8 | 1 | | | | | | | |
| 27 | 1 | 22137-100000 | WASHER, 10 | 2 | | | | | | | |
| 28 | 1 | 26106-080252 | BOLT, M8X 25 PLATED | 1 | | | | | | | |

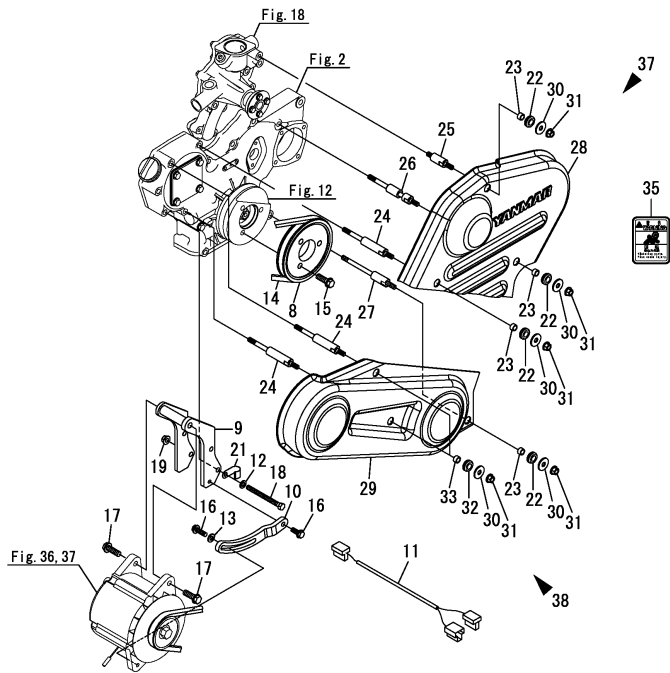
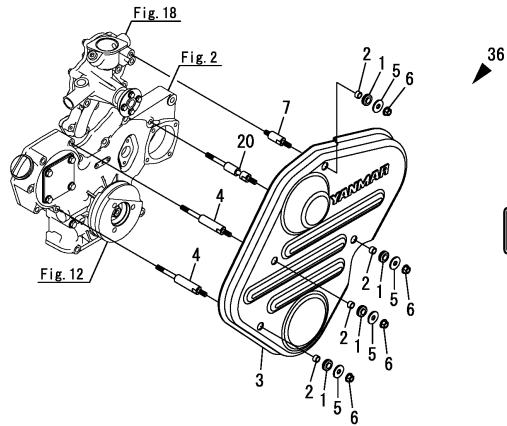
Remarks

(1)12V-80A : Changed to standard parts from optional parts.

Fig.38. V-BELT COVER & GENERATOR ATTACHMENT

(A)=3JH4E
(B)=
(C)=

(D)=
(E)=
(F)=



| No. | Lev. | Parts No. | Description | Q'ty | | | | | | I | R |
|--------------|------|--------------|----------------------|------|-----|-----|-----|-----|-----|---|-----|
| | | | | (A) | (B) | (C) | (D) | (E) | (F) | | |
| 1 | 1 | 105100-55501 | ABSORBER | 4 | | | | | | | |
| 1-1 | 1 | 128990-77610 | GROMMET | 4 | | | | | | | R |
| (A=*2005.04) | | | | | | | | | | | |
| 2 | 1 | 105100-55540 | COLLAR | 4 | | | | | | | |
| 2-1 | 1 | 128990-77430 | COLLAR | 4 | | | | | | | R |
| (A=*2004.03) | | | | | | | | | | | |
| 3 | 1 | 129271-77400 | COVER, BELT | 1 | | | | | | | |
| 3-1 | 1 | 129271-77401 | COVER, BELT | 1 | | | | | | | N |
| (A=*2006.08) | | | | | | | | | | | |
| 4 | 1 | 129271-77410 | BOLT | 3 | | | | | | | |
| 4-1 | 1 | 129271-77410 | BOLT | 2 | | | | | | | K |
| (A=E00395) | | | | | | | | | | | |
| 4-2 | 1 | 129271-77411 | BOLT, BELT COVER | 2 | | | | | | | S |
| (A=*2012.11) | | | | | | | | | | | |
| 5 | 1 | 22157-080000 | WASHER, 8 | 4 | | | | | | | |
| 6 | 1 | 26306-080002 | NUT, M8 | 4 | | | | | | | |
| 7 | 1 | 129271-77420 | BOLT | 1 | | | | | | | |
| 7-1 | 1 | 129271-77421 | BOLT, BELT COVER | 1 | | | | | | | S |
| (A=*2012.11) | | | | | | | | | | | |
| 8 | 1 | 129271-21350 | V-PULLEY | 1 | | | | | | | 1 |
| 9 | 1 | 129271-77310 | BRACKET, ALTERNATOR | 1 | | | | | | | 1 |
| 9-1 | 1 | 129271-77311 | BRACKET, ALTERNATOR | 1 | | | | | | | N 1 |
| (A=*2006.07) | | | | | | | | | | | |
| 10 | 1 | 129271-77330 | ADJUSTER | 1 | | | | | | | 1 |
| 11 | 1 | 129271-77930 | HARNESS, WIRE | 1 | | | | | | | 1 |
| 11-1 | 1 | 129271-77931 | HARNESS, ALTERNATOR | 1 | | | | | | | R 1 |
| (A=*2005.05) | | | | | | | | | | | |
| 12 | 1 | 22137-080000 | WASHER, 8 | 2 | | | | | | | 1 |
| 13 | 1 | 22137-080000 | WASHER, 8 | 1 | | | | | | | 1 |
| 14 | 1 | 25132-003800 | V-BELT, A38 | 1 | | | | | | | 1 |
| 15 | 1 | 26106-080252 | BOLT, M8X 25 PLATED | 4 | | | | | | | 1 |
| 15-1 | 1 | 26106-100302 | BOLT, M10X 30 PLATED | 3 | | | | | | | N 1 |
| (A=FROM 1ST) | | | | | | | | | | | |
| 16 | 1 | 26106-080252 | BOLT, M8X 25 PLATED | 2 | | | | | | | 1 |
| 17 | 1 | 26106-100302 | BOLT, M10X 30 PLATED | 2 | | | | | | | 1 |
| 18 | 1 | 26116-080904 | BOLT, M8X 90 PLATED | 2 | | | | | | | 1 |
| 19 | 1 | 26306-080002 | NUT, M8 | 2 | | | | | | | 1 |
| 20 | 1 | 129271-77430 | BOLT | 1 | | | | | | | W 1 |
| (A=E00395) | | | | | | | | | | | |
| 21 | 1 | 129150-03100 | RETAINER, PIPE | 1 | | | | | | | W 1 |
| (A=FROM 1ST) | | | | | | | | | | | |
| 22 | 1 | 105100-55501 | ABSORBER | 3 | | | | | | | W 1 |
| (A=E00576) | | | | | | | | | | | |
| 22-1 | 1 | 128990-77610 | GROMMET | 3 | | | | | | | R 1 |
| (A=*2005.04) | | | | | | | | | | | |
| 23 | 1 | 105100-55540 | COLLAR | 3 | | | | | | | W 1 |
| (A=E00576) | | | | | | | | | | | |
| 23-1 | 1 | 128990-77430 | COLLAR | 3 | | | | | | | R 1 |
| (A=*2004.03) | | | | | | | | | | | |
| 24 | 1 | 129271-77410 | BOLT | 3 | | | | | | | W 1 |
| (A=E00576) | | | | | | | | | | | |

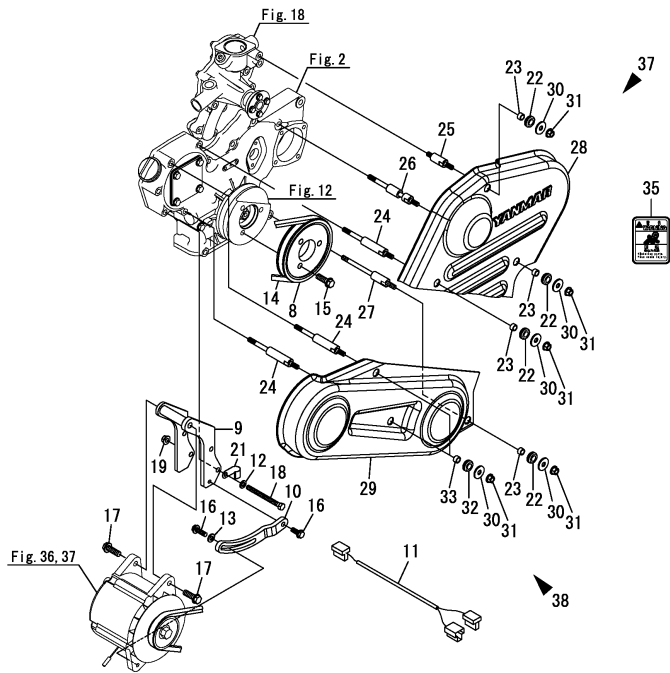
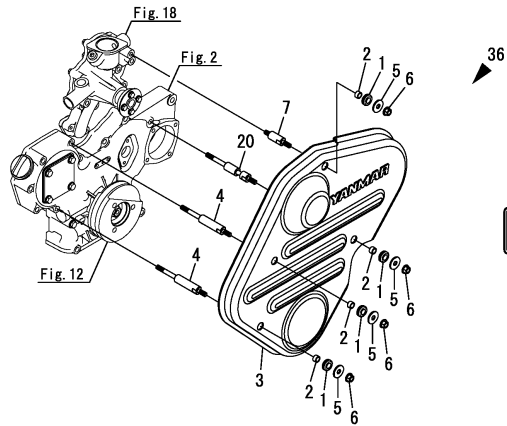
Remarks

- (1) Optional parts.
- (2) Include No.1-1, 2-1, 3-1, 34.
- (3) Include No.22-1, 23-1, 28-1, 35.
- (4) Include No.29, 32-1, 33-1.

Fig.38. V-BELT COVER & GENERATOR ATTACHMENT

(A)=3JH4E
(B)=
(C)=

(D)=
(E)=
(F)=

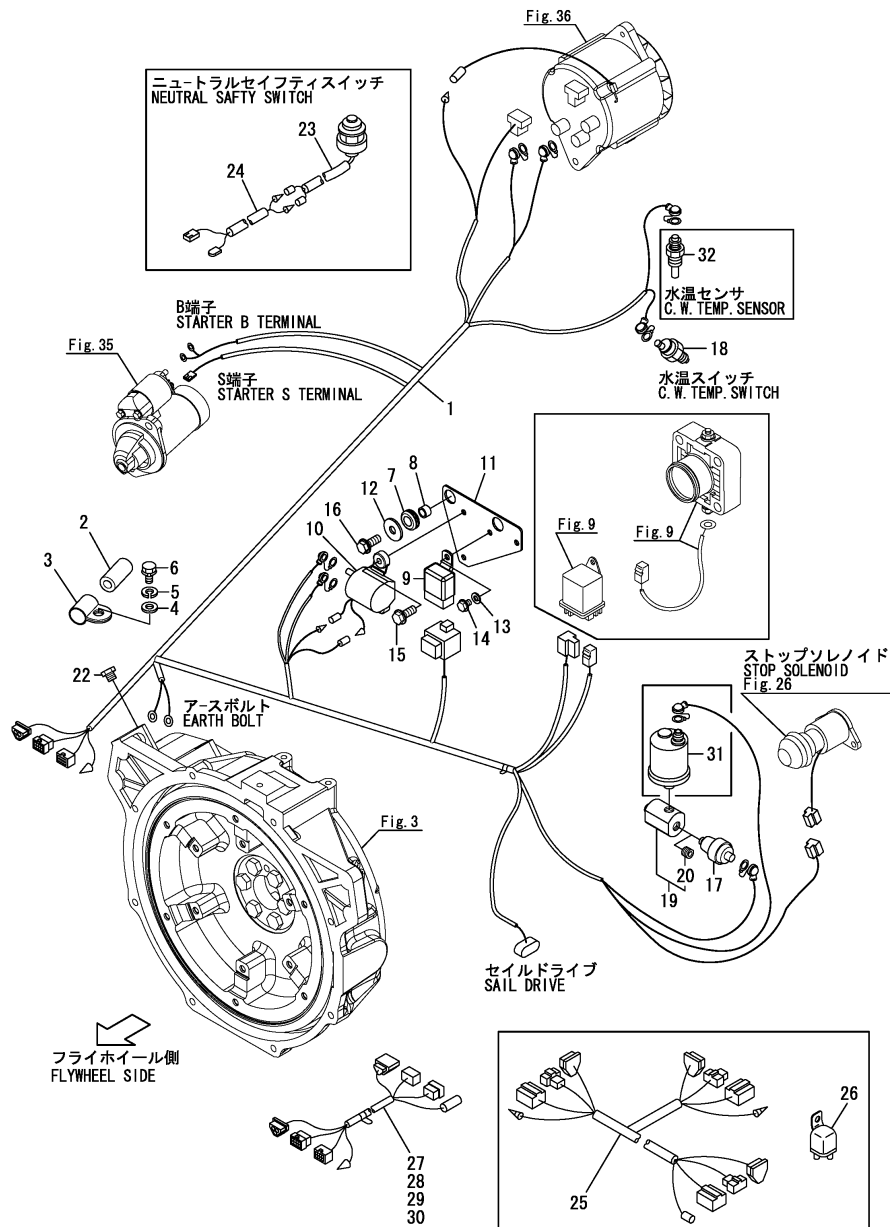


| No. | Lev. | Parts No. | Description | Q'ty | | | | | | I | R | |
|------|------|--------------|-----------------|------|-----|-----|-----|-----|-----|---|---|---|
| | | | | (A) | (B) | (C) | (D) | (E) | (F) | | | |
| 24-1 | 1 | 129271-77411 | BOLT,BELT COVER | 3 | | | | | | | S | 1 |
| | | (A=*2012.11) | | | | | | | | | | |
| 25 | 1 | 129271-77420 | BOLT | 1 | | | | | | | W | 1 |
| | | (A=E00576) | | | | | | | | | | |
| 25-1 | 1 | 129271-77421 | BOLT,BELT COVER | 1 | | | | | | | S | 1 |
| | | (A=*2012.11) | | | | | | | | | | |
| 26 | 1 | 129271-77430 | BOLT | 1 | | | | | | | W | 1 |
| | | (A=E00576) | | | | | | | | | | |
| 27 | 1 | 129271-77440 | BOLT | 1 | | | | | | | W | 1 |
| | | (A=E00576) | | | | | | | | | | |
| 28 | 1 | 129271-77500 | COVER, BELT | 1 | | | | | | | W | 1 |
| | | (A=E00576) | | | | | | | | | | |
| 28-1 | 1 | 129271-77501 | COVER, BELT | 1 | | | | | | | N | 1 |
| | | (A=*2006.08) | | | | | | | | | | |
| 29 | 1 | 129271-77510 | COVER, BELT | 1 | | | | | | | | 1 |
| 30 | 1 | 22157-080000 | WASHER, 8 | 6 | | | | | | | W | 1 |
| | | (A=E00576) | | | | | | | | | | |
| 31 | 1 | 26306-080002 | NUT, M8 | 6 | | | | | | | W | 1 |
| | | (A=E00576) | | | | | | | | | | |
| 32 | 1 | 105100-55501 | ABSORBER | 3 | | | | | | | W | 1 |
| | | (A=E00576) | | | | | | | | | | |
| 32-1 | 1 | 128990-77610 | GROMMET | 3 | | | | | | | R | 1 |
| | | (A=*2005.04) | | | | | | | | | | |
| 33 | 1 | 105100-55540 | COLLAR | 3 | | | | | | | W | 1 |
| | | (A=E00576) | | | | | | | | | | |
| 33-1 | 1 | 128990-77430 | COLLAR | 3 | | | | | | | R | 1 |
| | | (A=*2004.03) | | | | | | | | | | |
| 34 | 1 | 128377-07350 | LABEL, CAUTION | 1 | | | | | | | W | |
| | | (A=*2004.03) | | | | | | | | | | |
| 35 | 1 | 128377-07350 | LABEL, CAUTION | 1 | | | | | | | W | 1 |
| | | (A=*2008.11) | | | | | | | | | | |
| 36 | 1 | 129271-77390 | COVER,BELT CMP | 1 | | | | | | | W | 2 |
| | | (A=*2008.11) | | | | | | | | | | |
| 37 | 1 | 129271-77480 | COVER,BELT CMP | 1 | | | | | | | W | 3 |
| | | (A=*2008.11) | | | | | | | | | | |
| 38 | 1 | 129271-77490 | COVER,BELT CMP | 1 | | | | | | | W | 4 |
| | | (A=*2008.11) | | | | | | | | | | |

Remarks

- (1)Optional parts.
- (2)Include No.1-1, 2-1, 3-1, 34.
- (3)Include No.22-1, 23-1, 28-1, 35.
- (4)Include No.29, 32-1, 33-1.

Fig.39. WIRE HARNESS & SENSOR



(A)=3JH4E
(B)=
(C)=

(D)=
(E)=
(F)=

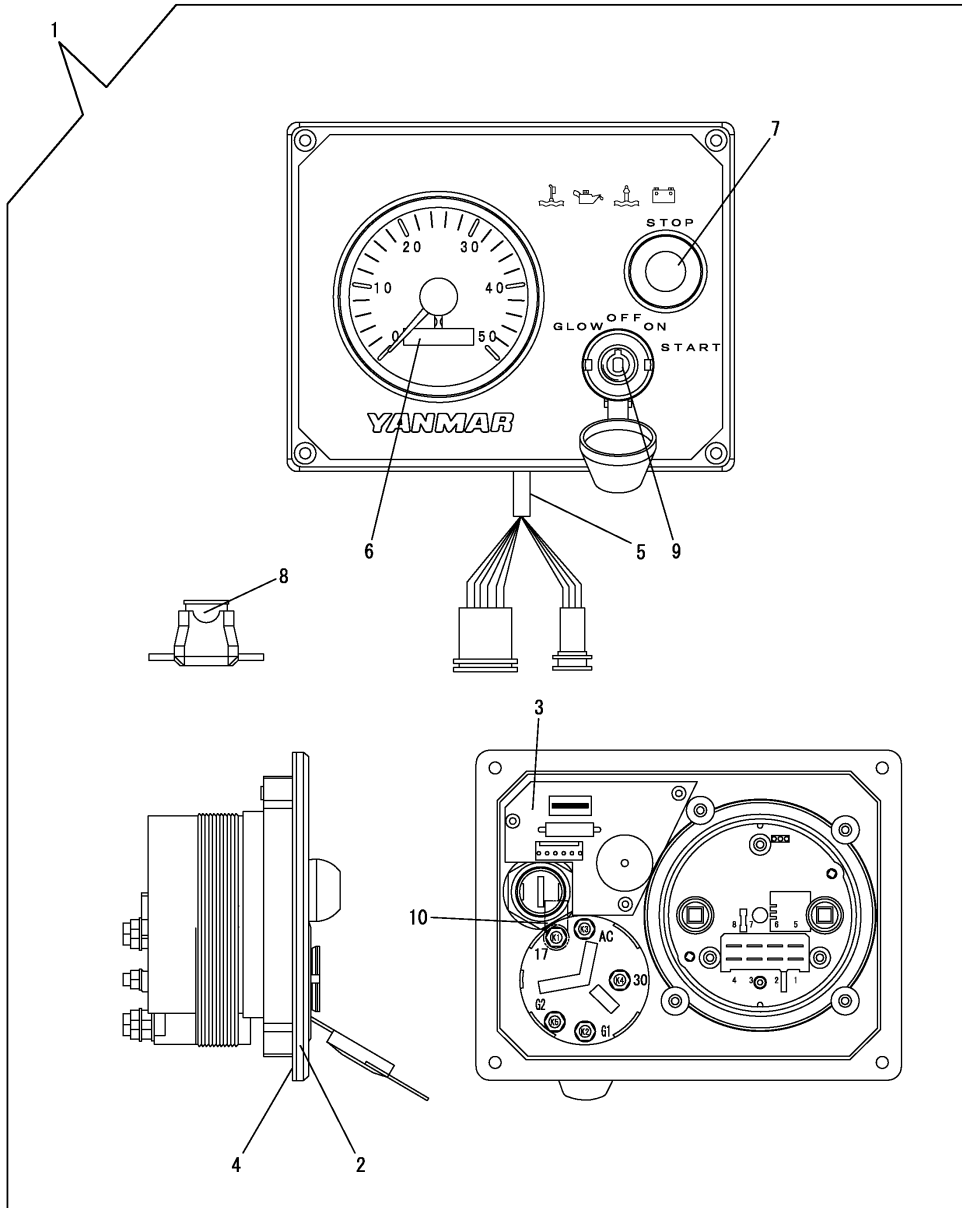
| No. | Lev. | Parts No. | Description | Q'ty | | | | | | I | R |
|--------------|------|--------------|---------------------|------|-----|-----|-----|-----|-----|---|---|
| | | | | (A) | (B) | (C) | (D) | (E) | (F) | | |
| 1 | 1 | 129271-77910 | HARNESS, WIRE | 1 | | | | | | | |
| 1-1 | 1 | 129271-77911 | HARNESS, WIRE | 1 | | | | | | | R |
| (A=*2005.16) | | | | | | | | | | | |
| 2 | 1 | 124770-77940 | PROTECTOR | 1 | | | | | | | |
| 2-1 | 1 | 129670-77940 | PROTECTOR | 1 | | | | | | | R |
| (A=*2007.12) | | | | | | | | | | | |
| 3 | 1 | 124070-77950 | CLAMP | 1 | | | | | | | |
| 4 | 1 | 22137-080000 | WASHER, 8 | 1 | | | | | | | |
| 5 | 1 | 22217-080000 | WASHER, SPRING 8 | 1 | | | | | | | |
| 6 | 1 | 26106-080162 | BOLT, M8X 16 PLATED | 1 | | | | | | | |
| 7 | 1 | 105100-55501 | ABSORBER | 2 | | | | | | | |
| 7-1 | 1 | 128990-77610 | GROMMET | 2 | | | | | | | R |
| (A=*2005.04) | | | | | | | | | | | |
| 8 | 1 | 105100-55540 | COLLAR | 2 | | | | | | | |
| 8-1 | 1 | 128990-77430 | COLLAR | 2 | | | | | | | R |
| (A=*2004.03) | | | | | | | | | | | |
| 9 | 1 | 119247-77100 | RELAY, SAFETY | 1 | | | | | | | |
| 10 | 1 | 120270-77511 | RELAY, MAGNETIC | 1 | | | | | | | |
| 10-1 | 1 | 128990-77550 | RELAY, MAGNETIC | 1 | | | | | | | N |
| (A=*2008.04) | | | | | | | | | | | |
| 11 | 1 | 129271-77960 | BRACKET, RELAY | 1 | | | | | | | |
| 12 | 1 | 22157-080000 | WASHER, 8 | 2 | | | | | | | |
| 13 | 1 | 22217-060000 | WASHER, SPRING 6 | 1 | | | | | | | |
| 14 | 1 | 26106-060082 | BOLT, M6X 8 PLATED | 1 | | | | | | | |
| 15 | 1 | 26106-060122 | BOLT, M6X 12 PLATED | 2 | | | | | | | |
| 16 | 1 | 26106-080202 | BOLT, M8X 20 PLATED | 2 | | | | | | | |
| 17 | 1 | 124060-39452 | SWITCH, 0.2KG | 1 | | | | | | | |
| 17-1 | 1 | 121252-39450 | SWITCH, 0.5KG | 1 | | | | | | | N |
| (A=E06740) | | | | | | | | | | | |
| 18 | 1 | 120130-91370 | SWITCH, 100 | 1 | | | | | | | |
| 19 | 1 | 129670-39600 | DAMPER ASSY, R1/8 | 1 | | | | | | | |
| 20 | 2 | 23875-010000 | PLUG, R01 | 1 | | | | | | | |
| 22 | 1 | 23887-180002 | PLUG, 18 | 1 | | | | | | | |
| 23 | 1 | 120270-77102 | SWITCH, SAFETY | 1 | | | | | | | 1 |
| 24 | 1 | 129570-77960 | HARNESS, WIRE | 1 | | | | | | | 1 |
| 25 | 1 | 129574-77980 | HARNESS, WIRE | 1 | | | | | | | 2 |
| 26 | 1 | 119773-91850 | RELAY | 1 | | | | | | | 2 |
| 27 | 1 | 129574-77710 | HARNESS, WIRE 4M | 1 | | | | | | | 1 |
| 28 | 1 | 129574-77720 | HARNESS, WIRE 6M | 1 | | | | | | | 1 |
| 29 | 1 | 128391-77720 | HARNESS, WIRE | 1 | | | | | | | 1 |
| 30 | 1 | 129574-77740 | HARNESS, WIRE 10M | 1 | | | | | | | 1 |
| 31 | 1 | 119773-91650 | SENSOR | 1 | | | | | | | 1 |
| 32 | 1 | 119773-91700 | SENDER | 1 | | | | | | | 1 |

Remarks
(1)Optional parts.
(2)2-Place expression (Optional parts).

Fig.40. INSTRUMENT PANEL(B-TYPE)(OPTIONAL)

(A)=3JH4E
(B)=
(C)=

(D)=
(E)=
(F)=

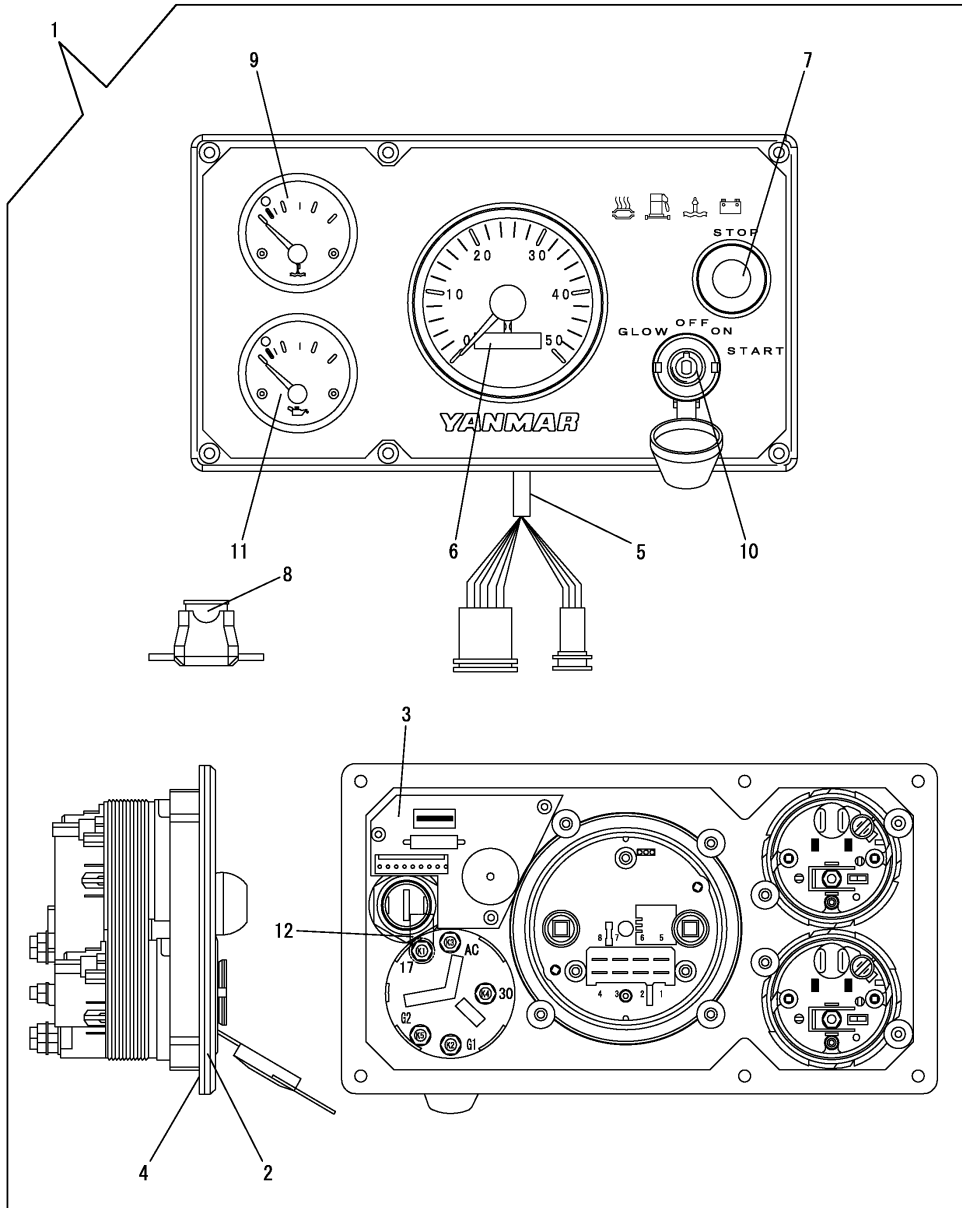


| No. | Lev. | Parts No. | Description | Q'ty | | | | | | I | R |
|--------------|------|--------------|----------------------|------|-----|-----|-----|-----|-----|---|---|
| | | | | (A) | (B) | (C) | (D) | (E) | (F) | | |
| 1 | 1 | 129271-91110 | PANEL, INSTRUMENT B | 1 | | | | | | | |
| 1-1 | 1 | 129271-91111 | PANEL, INSTRUMENT B | 1 | | | | | | | N |
| (A=*2005.12) | | | | | | | | | | | |
| 1-2 | 1 | 129271-91112 | PANEL | 1 | | | | | | | N |
| (A=*2008.09) | | | | | | | | | | | |
| 1-3 | 1 | 129271-91113 | PANEL, INSTRUMENT B | 1 | | | | | | | N |
| (A=*2009.10) | | | | | | | | | | | |
| 2 | 2 | 129271-91120 | PANEL WITH COVERFOIL | 1 | | | | | | | |
| 3 | 2 | 129271-91130 | CIRCUIT | 1 | | | | | | | |
| 3-1 | 2 | 129271-91131 | CIRCUIT WITH LED&BZR | 1 | | | | | | | N |
| (A=*2008.09) | | | | | | | | | | | |
| 3-2 | 2 | 129271-91132 | CIRCUIT WITH LED&BZR | 1 | | | | | | | N |
| (A=*2009.10) | | | | | | | | | | | |
| 4 | 2 | 129271-91140 | SEAL | 1 | | | | | | | |
| 5 | 2 | 129271-91150 | HARNESS, WIRE | 1 | | | | | | | |
| 6 | 2 | 129271-91210 | TACHOMETER | 1 | | | | | | | |
| 6-1 | 2 | 129271-91211 | TACHOMETER (AN)10.29 | 1 | | | | | | | N |
| (A=*2009.10) | | | | | | | | | | | |
| 7 | 2 | 129271-91220 | SWITCH, STOP | 1 | | | | | | | |
| 8 | 2 | 129271-91230 | FUSE | 1 | | | | | | | |
| 9 | 2 | 127412-91250 | SWITCH, KEY | 1 | | | | | | | |
| 10 | 2 | 129271-91260 | CAP, RUBBER M5 | 1 | | | | | | | W |
| (A=*2005.12) | | | | | | | | | | | |

Fig.41. INSTRUMENT PANEL(C-TYPE)(OPTIONAL)

(A)=3JH4E
(B)=
(C)=

(D)=
(E)=
(F)=

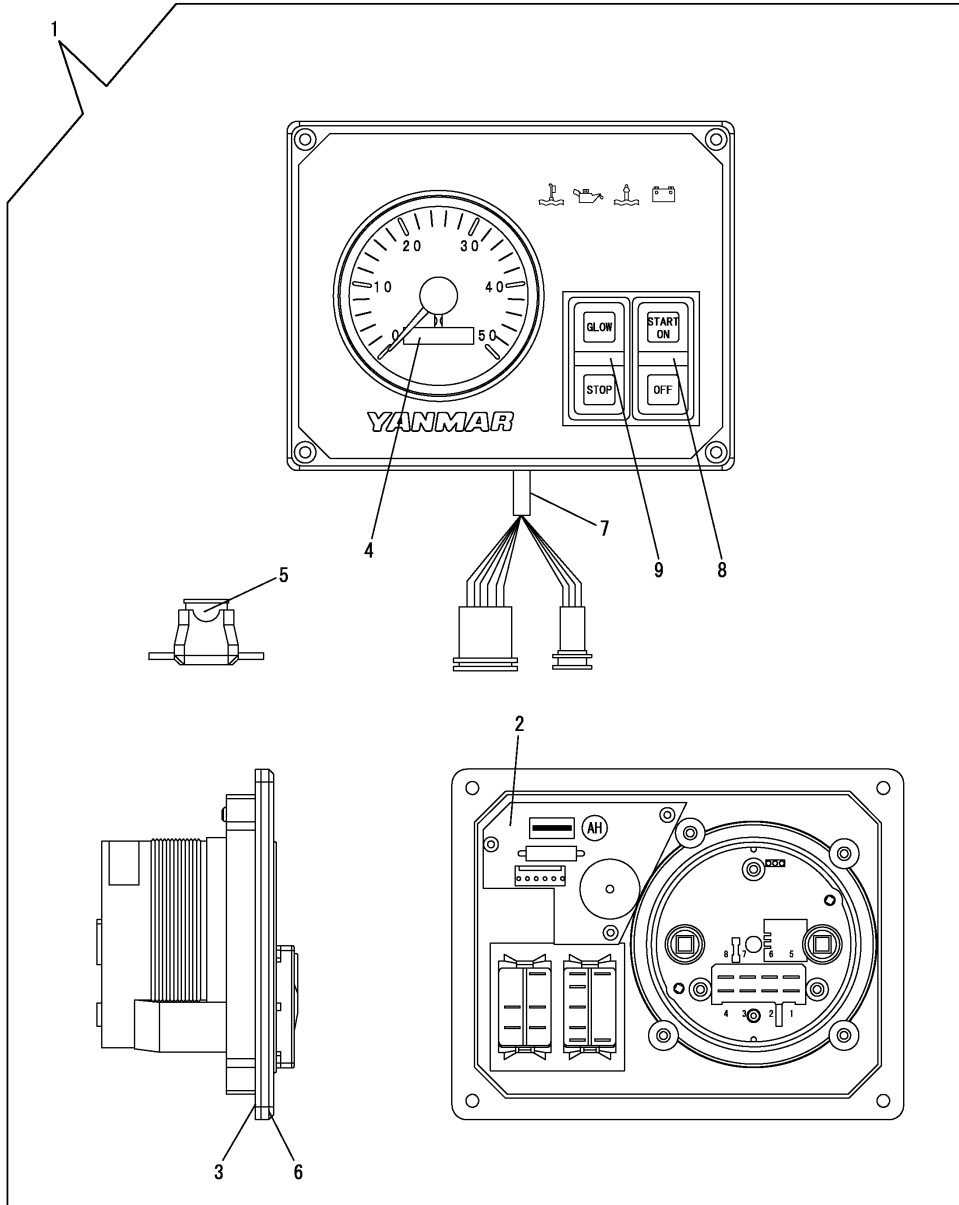


| No. | Lev. | Parts No. | Description | Q'ty | | | | | | I | R |
|--------------|------|--------------|----------------------|------|-----|-----|-----|-----|-----|---|---|
| | | | | (A) | (B) | (C) | (D) | (E) | (F) | | |
| 1 | 1 | 129271-91160 | PANEL, INSTRUMENT C | 1 | | | | | | | |
| 1-1 | 1 | 129271-91161 | PANEL, INSTRUMENT C | 1 | | | | | | | N |
| (A=*2005.12) | | | | | | | | | | | |
| 1-2 | 1 | 129271-91162 | C-PANEL(VDO | 1 | | | | | | | N |
| (A=*2008.09) | | | | | | | | | | | |
| 1-3 | 1 | 129271-91163 | PANEL, INSTRUMENT C | 1 | | | | | | | N |
| (A=*2009.10) | | | | | | | | | | | |
| 2 | 2 | 129271-91170 | PANEL WITH COVERFOIL | 1 | | | | | | | |
| 3 | 2 | 129271-91180 | CIRCUIT | 1 | | | | | | | |
| 3-1 | 2 | 129271-91181 | CIRCUIT | 1 | | | | | | | N |
| (A=*2008.09) | | | | | | | | | | | |
| 3-2 | 2 | 129271-91182 | CIRCUIT WITH LED&BZR | 1 | | | | | | | N |
| (A=*2009.10) | | | | | | | | | | | |
| 4 | 2 | 129271-91190 | RUBBER, SEAL | 1 | | | | | | | |
| 5 | 2 | 129271-91200 | HARNES, WIRE | 1 | | | | | | | |
| 6 | 2 | 129271-91210 | TACHOMETER | 1 | | | | | | | |
| 6-1 | 2 | 129271-91211 | TACHOMETER (AN)10.29 | 1 | | | | | | | N |
| (A=*2009.10) | | | | | | | | | | | |
| 7 | 2 | 129271-91220 | SWITCH, STOP | 1 | | | | | | | |
| 8 | 2 | 129271-91230 | FUSE | 1 | | | | | | | |
| 9 | 2 | 129271-91240 | THERMOMETER, WATER | 1 | | | | | | | |
| 10 | 2 | 127412-91250 | SWITCH, KEY | 1 | | | | | | | |
| 11 | 2 | 129271-91250 | GAUGE | 1 | | | | | | | |
| 12 | 2 | 129271-91260 | CAP, RUBBER M5 | 1 | | | | | | | W |
| (A=*2005.12) | | | | | | | | | | | |

Fig.45. (41A)INSTRUMENT PANEL(B-TYPE:KEYLES)(OPTIONAL)

(A)=3JH4E
(B)=
(C)=

(D)=
(E)=
(F)=

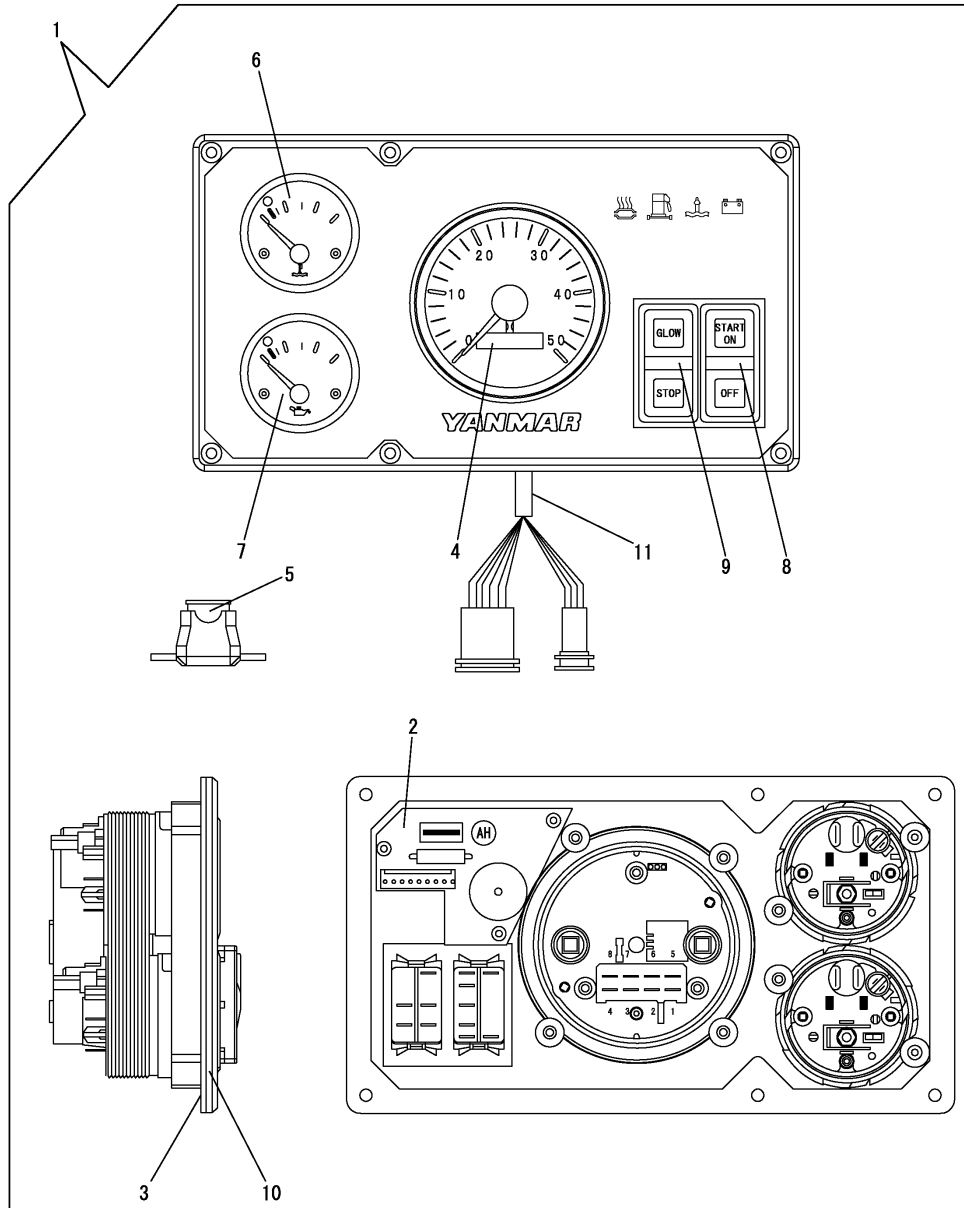


| No. | Lev. | Parts No. | Description | Q'ty | | | | | | I | R |
|-----|------|--------------|----------------------|------|-----|-----|-----|-----|-----|---|---|
| | | | | (A) | (B) | (C) | (D) | (E) | (F) | | |
| 1 | 1 | 129271-91300 | PANEL | 1 | | | | | | | W |
| | | (A=*2007.05) | | | | | | | | | |
| 1-1 | 1 | 129271-91301 | PANEL | 1 | | | | | | | N |
| | | (A=*2008.09) | | | | | | | | | |
| 1-2 | 1 | 129271-91302 | PANEL,B KEYLESS | 1 | | | | | | | N |
| | | (A=*2009.10) | | | | | | | | | |
| 2 | 2 | 129271-91130 | CIRCUIT | 1 | | | | | | | |
| 2-1 | 2 | 129271-91131 | CIRCUIT WITH LED&BZR | 1 | | | | | | | N |
| | | (A=*2008.09) | | | | | | | | | |
| 2-2 | 2 | 129271-91132 | CIRCUIT WITH LED&BZR | 1 | | | | | | | N |
| | | (A=*2009.10) | | | | | | | | | |
| 3 | 2 | 129271-91140 | SEAL | 1 | | | | | | | |
| 4 | 2 | 129271-91210 | TACHOMETER | 1 | | | | | | | |
| 4-1 | 2 | 129271-91211 | TACHOMETER (AN)10.29 | 1 | | | | | | | N |
| | | (A=*2009.10) | | | | | | | | | |
| 5 | 2 | 129271-91230 | FUSE | 1 | | | | | | | |
| 6 | 2 | 129271-91310 | PANEL WITH COVERFOIL | 1 | | | | | | | |
| 7 | 2 | 129271-91320 | HARNES,B KEYLESS | 1 | | | | | | | |
| 8 | 2 | 129271-91330 | SWITCH,OFF/START | 1 | | | | | | | |
| 9 | 2 | 129271-91340 | SWITCH,GLOW/STOP | 1 | | | | | | | |

Fig.46. (41B)INSTRUMENT PANEL(C-TYPE:KEYLES)(OPTIONAL)

(A)=3JH4E
(B)=
(C)=

(D)=
(E)=
(F)=

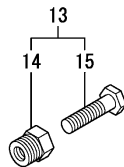
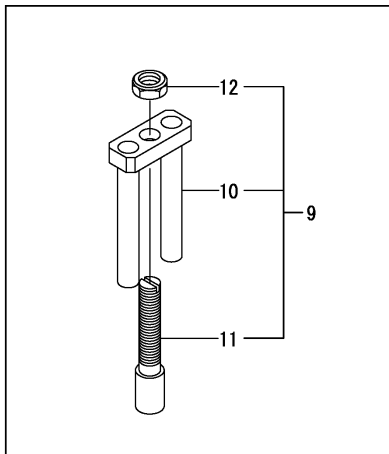
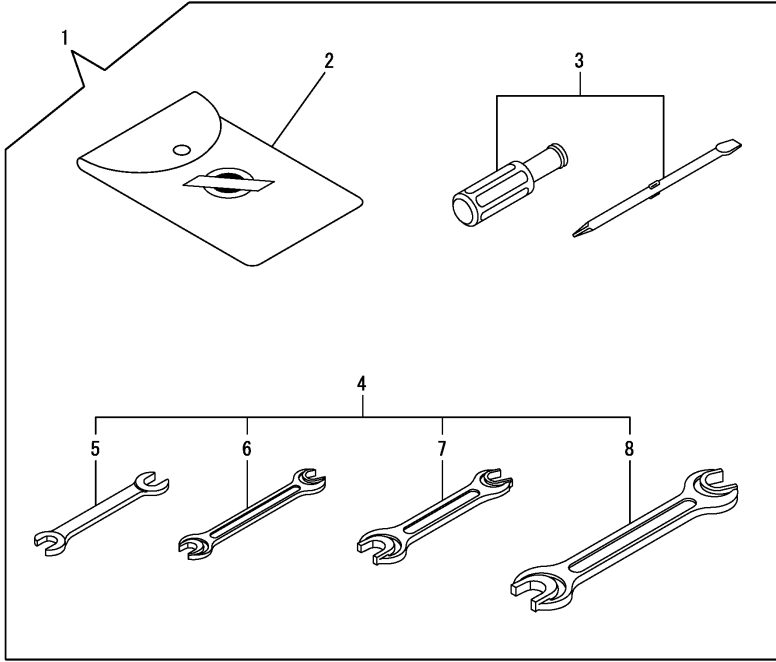


| No. | Lev. | Parts No. | Description | Q'ty | | | | | | I | R |
|-----|------|--------------|----------------------|------|-----|-----|-----|-----|-----|---|---|
| | | | | (A) | (B) | (C) | (D) | (E) | (F) | | |
| 1 | 1 | 129271-91350 | PANEL | 1 | | | | | | | W |
| | | (A=*2007.05) | | | | | | | | | |
| 1-1 | 1 | 129271-91351 | PANEL | 1 | | | | | | | N |
| | | (A=*2008.09) | | | | | | | | | |
| 1-2 | 1 | 129271-91352 | PANEL,C KEYLESS | 1 | | | | | | | N |
| | | (A=*2009.10) | | | | | | | | | |
| 2 | 2 | 129271-91180 | CIRCUIT | 1 | | | | | | | |
| 2-1 | 2 | 129271-91181 | CIRCUIT | 1 | | | | | | | N |
| | | (A=*2008.09) | | | | | | | | | |
| 2-2 | 2 | 129271-91182 | CIRCUIT WITH LED&BZR | 1 | | | | | | | N |
| | | (A=*2009.10) | | | | | | | | | |
| 3 | 2 | 129271-91190 | RUBBER, SEAL | 1 | | | | | | | |
| 4 | 2 | 129271-91210 | TACHOMETER | 1 | | | | | | | |
| 4-1 | 2 | 129271-91211 | TACHOMETER (AN)10.29 | 1 | | | | | | | N |
| | | (A=*2009.10) | | | | | | | | | |
| 5 | 2 | 129271-91230 | FUSE | 1 | | | | | | | |
| 6 | 2 | 129271-91240 | THERMOMETER, WATER | 1 | | | | | | | |
| 7 | 2 | 129271-91250 | GAUGE | 1 | | | | | | | |
| 8 | 2 | 129271-91330 | SWITCH,OFF/START | 1 | | | | | | | |
| 9 | 2 | 129271-91340 | SWITCH,GLOW/STOP | 1 | | | | | | | |
| 10 | 2 | 129271-91360 | PANEL | 1 | | | | | | | |
| 11 | 2 | 129271-91370 | HARNES, WIRE | 1 | | | | | | | |

Fig.42. TOOLS

(A)=3JH4E
(B)=
(C)=

(D)=
(E)=
(F)=

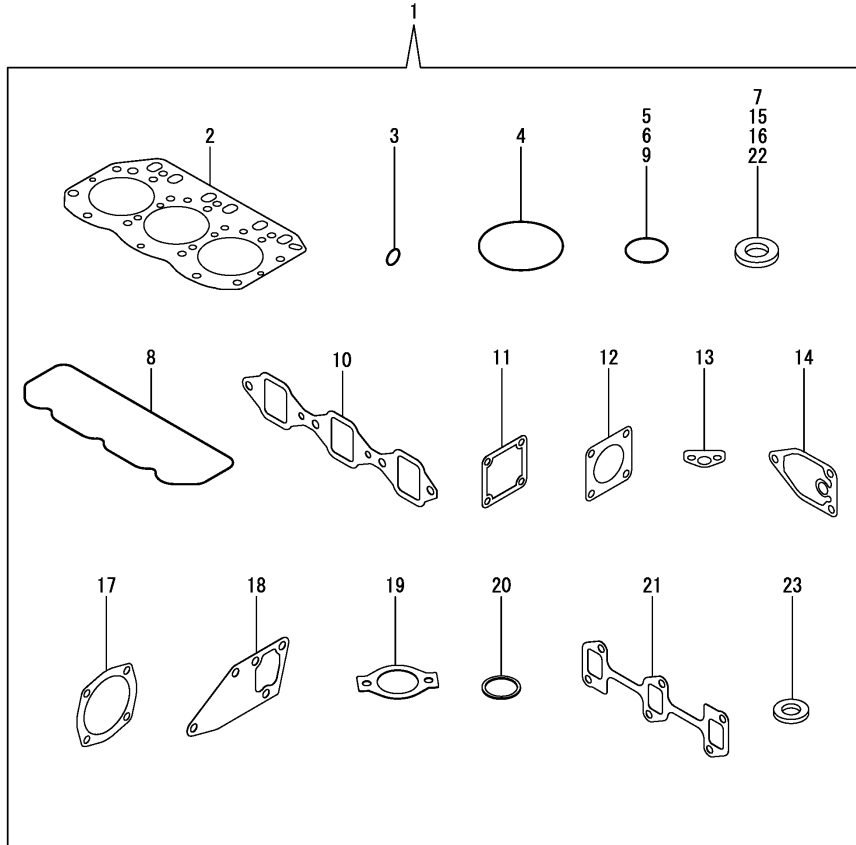


| No. | Lev. | Parts No. | Description | Q'ty | | | | | | I | R |
|-----|------|--------------|----------------------|------|-----|-----|-----|-----|-----|---|---|
| | | | | (A) | (B) | (C) | (D) | (E) | (F) | | |
| 1 | 1 | 129270-92100 | BOX, TOOL | 1 | | | | | | | |
| 2 | 2 | 129270-92600 | BAG, TOOL | 1 | | | | | | | |
| 3 | 2 | 129270-92650 | DRIVER | 1 | | | | | | | |
| 4 | 2 | 129270-92690 | WRENCH ASSY | 1 | | | | | | | |
| 5 | 3 | 129270-92610 | WRENCH, 10X13 | 1 | | | | | | | |
| 6 | 3 | 129270-92620 | WRENCH, 12X14 | 1 | | | | | | | |
| 7 | 3 | 129270-92630 | WRENCH, 17X19 | 1 | | | | | | | |
| 8 | 3 | 129270-92640 | WRENCH, 22X24 | 1 | | | | | | | |
| 9 | 1 | 129470-92300 | TOOL ASSY, NOZZLE | 1 | | | | | | | |
| 10 | 2 | 129470-92310 | TOOL,NOZZLE REMOVE A | 1 | | | | | | | |
| 11 | 2 | 129470-92320 | TOOL,NOZZLE REMOVE B | 1 | | | | | | | |
| 12 | 2 | 26716-120002 | NUT, M12 | 1 | | | | | | | |
| 13 | 1 | 129671-92110 | PULLER ASSY | 1 | | | | | | | |
| 14 | 2 | 129671-92120 | PULLER | 1 | | | | | | | |
| 15 | 2 | 129671-92130 | BOLT, M10X40 | 1 | | | | | | | |

Fig.43. GASKET SET(OPTIONAL)

(A)=3JH4E
(B)=
(C)=

(D)=
(E)=
(F)=



| No. | Lev. | Parts No. | Description | Qty | | | | | | I | R |
|--------------|------|--------------|--------------------|-----|-----|-----|-----|-----|-----|---|---|
| | | | | (A) | (B) | (C) | (D) | (E) | (F) | | |
| 1 | 1 | 729271-92600 | GASKET SET | 1 | | | | | | | |
| 2 | 2 | 129001-01340 | GASKET, HEAD | 1 | | | | | | | |
| 3 | 2 | 119609-32040 | O-RING, P16 | 4 | | | | | | | |
| 4 | 2 | 121850-51960 | O-RING | 1 | | | | | | | |
| 5 | 2 | 24311-000320 | O-RING, 1AP32.0 | 2 | | | | | | | |
| 6 | 2 | 24341-000240 | O-RING, 1AS24.0 | 1 | | | | | | | |
| 7 | 2 | 22190-140002 | WASHER, SEAL 14 | 4 | | | | | | | |
| 8 | 2 | 129004-11310 | GASKET, BONNET | 1 | | | | | | | |
| 9 | 2 | 24311-000120 | O-RING, 1AP12.0 | 3 | | | | | | | |
| 10 | 2 | 129150-12111 | GASKET, MANIFOLD | 1 | | | | | | | |
| 11 | 2 | 129150-77511 | GASKET | 1 | | | | | | | |
| 12 | 2 | 129472-18090 | GASKET | 1 | | | | | | | |
| 13 | 2 | 129150-35042 | GASKET | 1 | | | | | | | |
| 14 | 2 | 129150-35111 | GASKET | 1 | | | | | | | |
| 15 | 2 | 22190-080002 | WASHER, SEAL 8 | 3 | | | | | | | |
| 16 | 2 | 22190-100002 | WASHER, SEAL 10 | 2 | | | | | | | |
| 17 | 2 | 129150-01881 | GASKET | 2 | | | | | | | |
| 17-1 | 2 | 129C26-01890 | GASKET, HO-P | 2 | | | | | | | R |
| (A=*2012.06) | | | | | | | | | | | |
| 18 | 2 | 129486-42050 | GASKET, WATER PUMP | 1 | | | | | | | |
| 19 | 2 | 129795-49551 | GASKET | 1 | | | | | | | |
| 20 | 2 | 129470-49810 | GASKET, THERMOSTAT | 1 | | | | | | | |
| 20-1 | 2 | 129150-49811 | GASKET, THERMOSTAT | 1 | | | | | | | R |
| (A=*2009.12) | | | | | | | | | | | |
| 21 | 2 | 129150-13110 | GASKET | 1 | | | | | | | |
| 22 | 2 | 22190-120002 | WASHER, SEAL 12 | 8 | | | | | | | |
| 23 | 2 | 23414-080000 | GASKET, 8X1.0 | 1 | | | | | | | |

Fig.44. GENERATOR(130A) & GENERATOR ATTACHMENT(OPTIONAL)

(A)=3JH4E

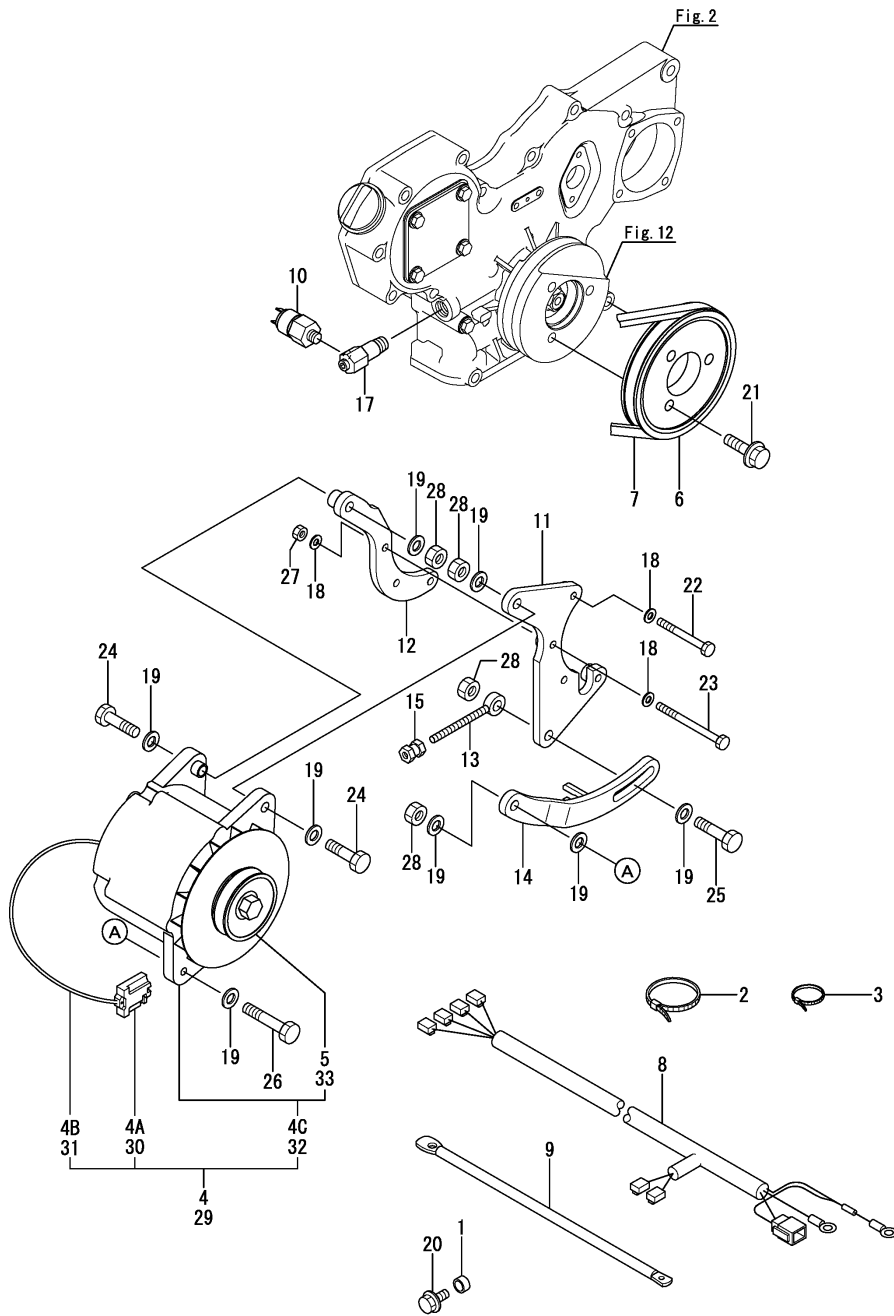
(B)=

(C)=

(D)=

(E)=

(F)=

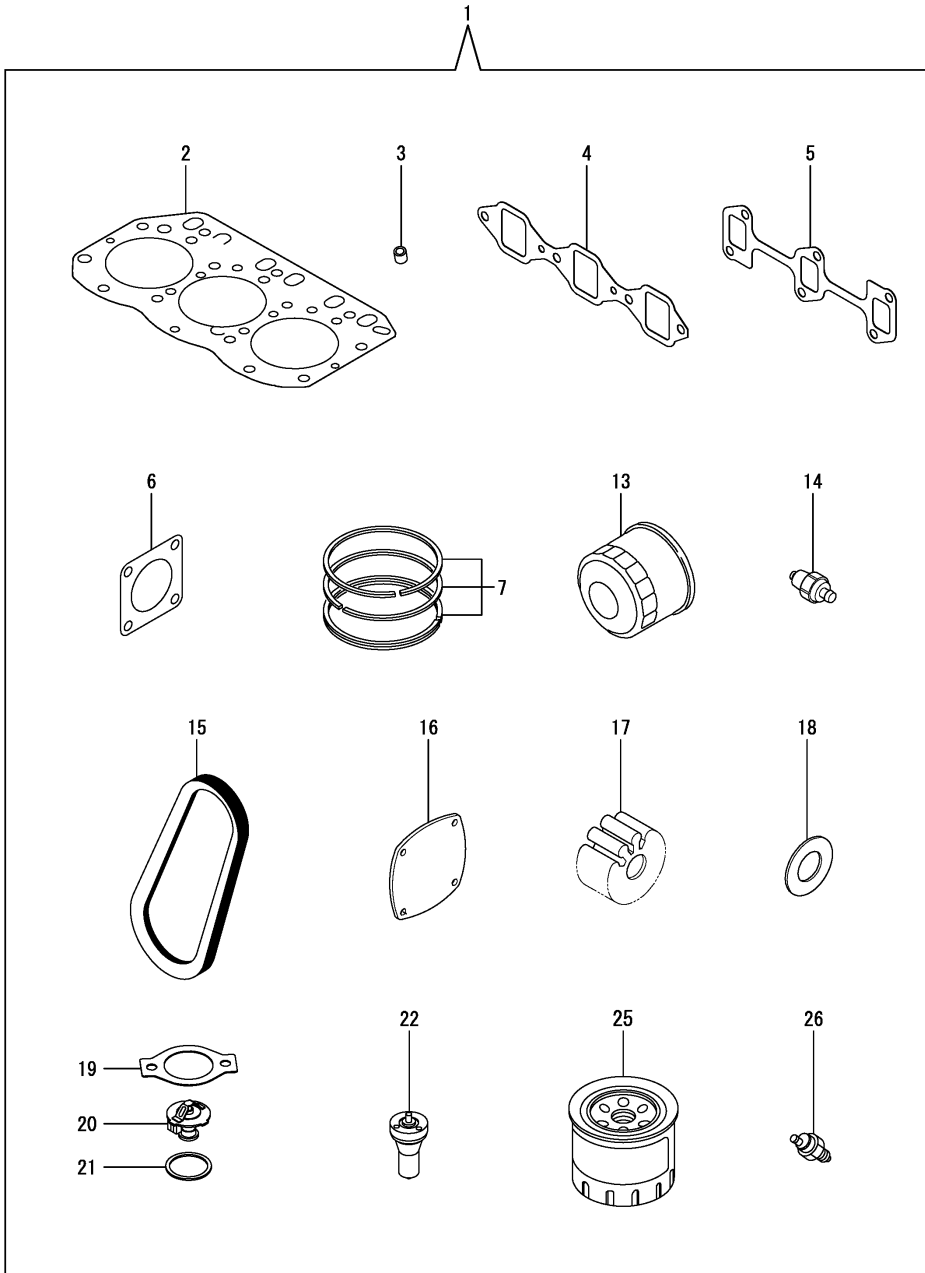


| No. | Lev. | Parts No. | Description | Q'ty | | | | | | I | R |
|--------------|------|--------------|----------------------|------|-----|-----|-----|-----|-----|---|---|
| | | | | (A) | (B) | (C) | (D) | (E) | (F) | | |
| 1 | 1 | 129301-34830 | SPACER | 1 | | | | | | | |
| 2 | 1 | 194250-51660 | BAND, NYLON | 1 | | | | | | | |
| 2-1 | 1 | 29622-250001 | BAND, RF250 | 1 | | | | | | | R |
| (A=*2011.07) | | | | | | | | | | | |
| 3 | 1 | 121750-59890 | BAND, 140 | 2 | | | | | | | |
| 4 | 1 | 129271-77220 | ALTERNATOR, 12V-130A | 1 | | | | | | | |
| 4A | 2 | 129271-77600 | REGULATOR ASSY,12V | 1 | | | | | | | W |
| (A=*2011.07) | | | | | | | | | | | |
| 4B | 2 | 129271-77620 | HARNESS,BATT SENSING | 1 | | | | | | | W |
| (A=*2011.07) | | | | | | | | | | | |
| 4C | 2 | 129271-77580 | ALTERNATOR,12V-130A | 1 | | | | | | | W |
| (A=*2011.07) | | | | | | | | | | | |
| 5 | 3 | 129271-77240 | PULLEY,ALTERNATOR | 1 | | | | | | | |
| 6 | 1 | 129271-77250 | PULLEY,CRANK | 1 | | | | | | | |
| 7 | 1 | 129271-77260 | BELT,6PK1060 | 1 | | | | | | | |
| 8 | 1 | 129271-77270 | WIREHARNESS,ALTERNAT | 1 | | | | | | | |
| 9 | 1 | 129271-77280 | GROUND CABLE | 1 | | | | | | | |
| 10 | 1 | 129271-77290 | SWITCH,OIL PRESSURE | 1 | | | | | | | |
| 11 | 1 | 129271-77340 | BRACKET,ALT FRONT | 1 | | | | | | | |
| 12 | 1 | 129271-77350 | BRACKET,ALT REAR | 1 | | | | | | | |
| 13 | 1 | 129271-77360 | ADJUSTER,ALTERNATOR | 1 | | | | | | | |
| 14 | 1 | 129271-77370 | BRACKET,ADJUSTER | 1 | | | | | | | |
| 15 | 1 | 129271-77380 | NUT,ADJUSTER | 1 | | | | | | | |
| 17 | 1 | 129271-77570 | DAMPER CMP(R 3/8 | 1 | | | | | | | |
| 18 | 1 | 22137-080000 | WASHER, 8 | 7 | | | | | | | |
| 19 | 1 | 22137-120000 | WASHER, 12 | 8 | | | | | | | |
| 20 | 1 | 26106-080222 | BOLT, M8X 22 PLATED | 1 | | | | | | | |
| 21 | 1 | 26106-100352 | BOLT, M10X 35 PLATED | 3 | | | | | | | |
| 22 | 1 | 26116-080752 | BOLT, M8X 75 PLATED | 1 | | | | | | | |
| 23 | 1 | 26116-081004 | BOLT, M8X100 PLATED | 3 | | | | | | | |
| 24 | 1 | 26116-120452 | BOLT, M12X 45 PLATED | 2 | | | | | | | |
| 25 | 1 | 26116-120502 | BOLT, M12X 50 PLATED | 1 | | | | | | | |
| 26 | 1 | 26116-120652 | BOLT, M12X 65 PLATED | 1 | | | | | | | |
| 27 | 1 | 26716-080002 | NUT, M8 | 3 | | | | | | | |
| 28 | 1 | 26716-120002 | NUT, M12 | 4 | | | | | | | |
| 29 | 1 | 129271-77230 | ALTERNATOR, 24V-75A | 1 | | | | | | | |
| 30 | 2 | 129271-77610 | REGULATOR ASSY,24V | 1 | | | | | | | W |
| (A=*2011.07) | | | | | | | | | | | |
| 31 | 2 | 129271-77620 | HARNESS,BATT SENSING | 1 | | | | | | | W |
| (A=*2011.07) | | | | | | | | | | | |
| 32 | 2 | 129271-77590 | ALTERNATOR,24V-75A | 1 | | | | | | | W |
| (A=*2011.07) | | | | | | | | | | | |
| 33 | 3 | 129271-77240 | PULLEY,ALTERNATOR | 1 | | | | | | | |

Fig.49. SPARE PARTS KIT(OPTIONAL)

(A)=3JH4E
(B)=
(C)=

(D)=
(E)=
(F)=



| No. | Lev. | Parts No. | Description | Qty | | | | | | I | R |
|-----|------|--------------|-----------------------|-----|-----|-----|-----|-----|-----|---|---|
| | | | | (A) | (B) | (C) | (D) | (E) | (F) | | |
| 1 | 1 | 729271-92500 | SPEAR PARTS KIT | 1 | | | | | | | |
| 2 | 2 | 129001-01340 | GASKET, HEAD | 1 | | | | | | | |
| 3 | 2 | 119802-11870 | PROTECTOR, NOZZLE | 3 | | | | | | | |
| 4 | 2 | 129150-12111 | GASKET, MANIFOLD | 1 | | | | | | | |
| 5 | 2 | 129150-13110 | GASKET | 1 | | | | | | | |
| 6 | 2 | 129472-18090 | GASKET | 1 | | | | | | | |
| 7 | 2 | 129005-22500 | RING SET, PISTON | 3 | | | | | | | |
| 13 | 2 | 119305-35151 | FILTER ASSY, D68XL65 | 1 | | | | | | | |
| 14 | 2 | 121252-39450 | SWITCH, 0.5KG | 1 | | | | | | | |
| 15 | 2 | 171087-42280 | V-BELT, A44 | 1 | | | | | | | |
| 16 | 2 | 129670-42520 | COVER | 1 | | | | | | | |
| 17 | 2 | 129670-42531 | IMPELLER | 1 | | | | | | | |
| 18 | 2 | 129670-42540 | PLATE | 1 | | | | | | | |
| 19 | 2 | 129795-49551 | GASKET | 1 | | | | | | | |
| 20 | 2 | 129470-49801 | THERMOSTAT, 76.5 | 1 | | | | | | | |
| 21 | 2 | 129150-49811 | GASKET, THERMOSTAT | 1 | | | | | | | |
| 22 | 2 | 129602-53001 | VALVE ASSY, INJECTION | 3 | | | | | | | |
| 25 | 2 | 129470-55703 | FILTER, FUEL | 1 | | | | | | | |
| 26 | 2 | 120130-91370 | SWITCH, 100 | 1 | | | | | | | |

Parts No. Index

| Parts No. | Fig. No. | Ref. No. |
|--------------|----------|----------|
| 101304-59020 | 30 | 8 |
| | | 16 |
| 104214-83980 | 34 | 11 |
| 105100-55501 | 38 | 1 |
| | | 22 |
| | | 32 |
| | 39 | 7 |
| 105100-55540 | 9 | 12 |
| | 38 | 2 |
| | | 23 |
| | | 33 |
| | 39 | 8 |
| 105430-55041 | 31 | 8 |
| 105583-85900 | 34 | 8 |
| 114250-53080 | 28 | 5 |
| 114250-53120 | 28 | 10 |
| 114250-53130 | 28 | 11 |
| 114250-53140 | 28 | 12 |
| 114250-53210 | 28 | 13 |
| 114250-53400 | 28 | 14 |
| 119129-77250 | 37 | 14 |
| 119129-77260 | 37 | 15 |
| 119129-77320 | 37 | 3 |
| 119129-77890 | 37 | 20 |
| 119129-77900 | 37 | 21 |
| 119129-77930 | 37 | 19 |
| 119173-55700 | 30 | 4 |
| 119247-77100 | 39 | 9 |
| 119285-66610 | 26 | 92 |
| 119305-35150 | 14 | 13 |
| 119305-35151 | 14 | 13 -1 |
| | 49 | 13 |
| 119573-77201 | 37 | 1 |
| 119600-66840 | 26 | 64 |
| 119609-32040 | 2 | 17 |
| | 43 | 3 |
| 119620-01750 | 3 | 11 |
| 119620-49290 | 14 | 25 |
| | 19 | 12 |
| 119625-11880 | 7 | 32 |
| 119660-61901 | 26 | 61 |
| 119717-51420 | 25 | 65 -1 |
| 119717-51500 | 25 | 44 -1 |
| 119717-51860 | 25 | 23 -1 |
| 119773-42570 | 16 | 9 |
| | 17 | 9 |
| 119773-91650 | 39 | 31 |
| 119773-91700 | 39 | 32 |
| 119773-91850 | 39 | 26 |
| 119800-61650 | 26 | 82 -1 |

| Parts No. | Fig. No. | Ref. No. |
|--------------|----------|----------|
| 119802-01560 | 2 | 13 |
| 119802-01561 | 2 | 13 -1 |
| 119802-03110 | 8 | 4 |
| 119802-03120 | 8 | 5 |
| 119802-03121 | 8 | 5 -1 |
| 119802-03130 | 8 | 6 |
| 119802-03140 | 8 | 7 |
| 119802-03141 | 8 | 7 -1 |
| 119802-11260 | 7 | 6 |
| 119802-11270 | 7 | 7 |
| 119802-11280 | 7 | 8 |
| 119802-11870 | 7 | 31 |
| | 49 | 3 |
| 119802-21201 | 12 | 4 |
| 119802-21202 | 12 | 4 -1 |
| 119802-25051 | 11 | 10 |
| 119802-25100 | 11 | 11 |
| 119802-25101 | 11 | 11 -1 |
| 119802-32070 | 2 | 8 |
| 119802-32100 | 2 | 7 |
| 119802-32130 | 2 | 20 |
| 119802-35110 | 14 | 10 |
| 119803-53400 | 28 | 14 -1 |
| 119813-59950 | 30 | 24 -1 |
| 119865-21600 | 12 | 10 |
| 119908-61501 | 26 | 33 |
| 119940-59130 | 14 | 21 |
| 120130-11860 | 7 | 19 |
| 120130-91370 | 39 | 18 |
| | 49 | 26 |
| 120270-54410 | 7 | 34 |
| 120270-77102 | 39 | 23 |
| 120270-77511 | 39 | 10 |
| 120322-33050 | 19 | 9 |
| 120323-61470 | 26 | 81 |
| 121023-01550 | 2 | 28 |
| 121023-01551 | 2 | 28 -1 |
| 121111-21501 | 12 | 7 |
| 121252-39450 | 39 | 17 -1 |
| | 49 | 14 |
| 121400-11340 | 7 | 28 |
| 121450-01560 | 16 | 24 |
| | 17 | 28 |
| 121550-23200 | 13 | 13 |
| 121750-59890 | 30 | 12 |
| | 44 | 3 |
| 121850-21680 | 12 | 13 |
| 121850-51960 | 2 | 21 |
| | 43 | 4 |
| 122710-51050 | 25 | 6 |

| Parts No. | Fig. No. | Ref. No. |
|--------------|----------|----------|
| 122710-51090 | 25 | 9 |
| 123310-77640 | 35 | 25 |
| 123325-49421 | 10 | 7 |
| | 16 | 18 |
| 123682-07852 | 6 | 4 |
| 123900-77700 | 36 | 2 |
| 123900-77730 | 36 | 5 |
| 124060-01050 | 1 | 5 |
| 124060-39452 | 39 | 17 |
| 124070-59060 | 31 | 1 |
| 124070-59130 | 31 | 2 |
| 124070-77950 | 39 | 3 |
| 124080-77390 | 37 | 10 |
| 124080-77520 | 37 | 12 |
| 124160-01751 | 2 | 14 |
| | 8 | 16 |
| 124160-01910 | 1 | 7 |
| | | 8 |
| 124160-11360 | 8 | 13 |
| 124160-39140 | 15 | 1 |
| 124195-77770 | 35 | 23 |
| 124240-01871 | 2 | 15 |
| | 16 | 25 |
| | 17 | 25 |
| 124398-49700 | 8 | 18 -1 |
| 124413-39100 | 14 | 28 |
| 124460-11340 | 7 | 29 |
| 124460-77680 | 19 | 19 |
| | 20 | 5 |
| | 47 | 8 |
| 124550-01590 | 2 | 24 -1 |
| 124550-51350 | 25 | 31 |
| 124550-51370 | 25 | 32 |
| 124550-59820 | 15 | 4 |
| 124550-77030 | 35 | 27 |
| 124770-77940 | 39 | 2 |
| 124950-51190 | 25 | 16 |
| 124976-34850 | 1 | 31 |
| 127412-91250 | 40 | 9 |
| | 41 | 10 |
| 128170-13600 | 19 | 17 |
| | 33 | 5 |
| 128170-86501 | 32 | 21 |
| 128271-77200 | 36 | 1 |
| 128271-77720 | 36 | 4 |
| 128271-77730 | 36 | 4 -1 |
| 128271-77740 | 36 | 6 |
| 128271-77750 | 36 | 7 |
| 128377-07150 | 6 | 1 |
| 128377-07190 | 6 | 6 |

| Parts No. | Fig. No. | Ref. No. |
|--------------|----------|----------|
| 128377-07260 | 6 | 2 |
| 128377-07350 | 6 | 3 |
| | 38 | 34 |
| | | 35 |
| 128377-07400 | 6 | 7 |
| 128377-07420 | 6 | 8 |
| 128377-07450 | 6 | 9 |
| 128377-07460 | 6 | 10 |
| 128377-08350 | 4 | 8 |
| 128377-08351 | 4 | 8 -1 |
| 128391-77720 | 39 | 29 |
| 128397-44500 | 19 | 24 |
| 128397-44510 | 19 | 26 |
| 128990-49320 | 18 | 36 |
| | | 37 |
| 128990-49400 | 18 | 39 |
| 128990-59131 | 31 | 2 -1 |
| 128990-59540 | 30 | 20 -1 |
| 128990-59700 | 31 | 1 -1 |
| 128990-59890 | 8 | 19 |
| 128990-77430 | 9 | 12 -1 |
| | 38 | 2 -1 |
| | | 23 -1 |
| | | 33 -1 |
| | 39 | 8 -1 |
| 128990-77550 | 39 | 10 -1 |
| 128990-77610 | 38 | 1 -1 |
| | | 22 -1 |
| | | 32 -1 |
| | 39 | 7 -1 |
| 128990-77910 | 9 | 18 |
| 128990-77911 | 9 | 18 -1 |
| 129001-01250 | 1 | 6 |
| 129001-01340 | 1 | 33 |
| | 43 | 2 |
| | 49 | 2 |
| 129001-02930 | 1 | 25 |
| 129001-02931 | 1 | 25 -1 |
| 129001-32330 | 2 | 11 |
| 129001-91841 | 2 | 22 |
| 129004-01520 | 2 | 12 |
| 129004-03010 | 8 | 2 |
| 129004-11100 | 7 | 24 |
| 129004-11101 | 7 | 24 -1 |
| 129004-11130 | 7 | 24 -2 |
| 129004-11241 | 7 | 4 |
| 129004-11251 | 7 | 5 |
| 129004-11310 | 8 | 10 |
| | 43 | 8 |
| 129004-11350 | 8 | 1 |

Parts No. Index

| Parts No. | Fig. No. | Ref. No. |
|--------------|----------|----------|
| 129004-11650 | 7 | 10 |
| 129004-11900 | 7 | 33 |
| 129004-21001 | 12 | 1 |
| 129004-21002 | 12 | 1 -1 |
| 129005-21650 | 12 | 11 |
| 129005-22080 | 13 | 1 |
| 129005-22500 | 13 | 3 |
| | 49 | 7 |
| 129005-22900 | 13 | 19 |
| 129005-22950 | 13 | 21 |
| 129006-35100 | 14 | 9 |
| 129006-44480 | 14 | 14 |
| 129052-42050 | 18 | 3 |
| 129052-42310 | 18 | 4 |
| 129052-61051 | 26 | 5 |
| 129052-61060 | 26 | 6 |
| 129052-61071 | 26 | 7 |
| 129052-61390 | 26 | 18 |
| 129054-42320 | 18 | 2 |
| 129100-01580 | 3 | 1 |
| | | 5 |
| | 12 | 2 |
| 129100-01640 | 3 | 6 |
| 129100-01730 | 5 | 5 |
| 129100-11110 | 7 | 25 |
| 129100-11111 | 7 | 25 -1 |
| 129100-11112 | 7 | 25 -2 |
| 129100-23910 | 13 | 16 |
| 129100-51570 | 25 | 49 |
| 129100-59951 | 30 | 24 |
| 129100-61400 | 26 | 19 |
| 129100-61440 | 26 | 80 |
| 129100-77510 | 9 | 17 |
| 129120-77501 | 9 | 16 |
| 129120-77502 | 9 | 16 -1 |
| 129129-14580 | 11 | 3 |
| 129150-01200 | 1 | 32 |
| 129150-01881 | 16 | 22 |
| | | 26 |
| | 17 | 22 |
| | | 26 |
| | 43 | 17 |
| 129150-02020 | 1 | 10 |
| 129150-02450 | 11 | 4 |
| 129150-02870 | 1 | 34 |
| 129150-02930 | 1 | 28 |
| 129150-02931 | 1 | 28 -1 |
| 129150-02940 | 1 | 37 |
| 129150-03070 | 8 | 3 |
| 129150-03100 | 38 | 21 |

| Parts No. | Fig. No. | Ref. No. |
|--------------|----------|----------|
| 129150-11230 | 7 | 11 |
| 129150-11280 | 7 | 9 |
| 129150-11370 | 7 | 14 |
| 129150-11750 | 7 | 13 |
| 129150-11810 | 7 | 21 |
| 129150-12111 | 9 | 2 |
| | 43 | 10 |
| | 49 | 4 |
| 129150-13110 | 19 | 18 |
| | 43 | 21 |
| | 49 | 5 |
| 129150-14101 | 11 | 7 |
| 129150-14200 | 11 | 1 |
| 129150-14400 | 11 | 2 |
| 129150-23600 | 13 | 14 |
| 129150-23601 | 13 | 14 -1 |
| 129150-23610 | 13 | 17 |
| 129150-25301 | 25 | 76 |
| 129150-25931 | 25 | 75 |
| 129150-35042 | 14 | 5 |
| | 43 | 13 |
| 129150-35091 | 14 | 1 |
| 129150-35111 | 14 | 12 |
| | 43 | 14 |
| 129150-42059 | 18 | 3 -1 |
| 129150-42129 | 18 | 7 |
| 129150-42300 | 18 | 6 |
| 129150-42301 | 18 | 6 -1 |
| 129150-42319 | 18 | 4 -1 |
| 129150-49811 | 18 | 28 -1 |
| | 43 | 20 -1 |
| | 49 | 21 |
| 129150-59120 | 29 | 1 |
| 129150-59131 | 29 | 4 |
| 129150-59580 | 30 | 38 |
| 129150-77511 | 9 | 6 |
| | 43 | 11 |
| 129155-51020 | 25 | 4 |
| 129155-51180 | 25 | 15 |
| 129155-51200 | 25 | 17 |
| 129155-51270 | 25 | 24 |
| 129155-51280 | 25 | 25 |
| | 26 | 2 |
| 129155-51380 | 25 | 34 |
| 129155-51390 | 25 | 35 |
| 129155-51400 | 25 | 36 |
| 129155-51410 | 25 | 37 |
| 129155-51420 | 25 | 38 |
| 129155-51450 | 25 | 39 |
| 129155-51500 | 25 | 44 |

| Parts No. | Fig. No. | Ref. No. |
|--------------|----------|----------|
| 129155-51530 | 25 | 46 |
| 129155-51540 | 25 | 47 |
| 129155-51550 | 25 | 48 |
| 129155-51570 | 25 | 51 |
| 129155-51580 | 25 | 52 |
| 129155-51591 | 25 | 53 |
| 129155-51600 | 25 | 54 |
| 129155-51630 | 25 | 21 A |
| 129155-51701 | 25 | 55 |
| 129155-51711 | 25 | 56 |
| 129155-51751 | 25 | 57 |
| 129155-51761 | 25 | 58 |
| 129155-51790 | 25 | 59 |
| 129155-52051 | 27 | 2 |
| 129155-61120 | 26 | 8 |
| 129155-61130 | 26 | 9 |
| 129155-61140 | 26 | 10 |
| 129155-61341 | 26 | 15 |
| 129155-61350 | 26 | 16 |
| 129155-61360 | 26 | 17 |
| 129155-61430 | 26 | 22 |
| 129155-61450 | 26 | 26 |
| 129155-61460 | 26 | 27 |
| 129155-61480 | 26 | 28 |
| 129155-61830 | 26 | 60 |
| 129155-61950 | 26 | 62 |
| 129156-44760 | 18 | 32 |
| 129156-51910 | 25 | 60 |
| 129158-52000 | 25 | 74 |
| | 27 | 1 |
| 129158-52100 | 27 | 3 |
| 129158-52101 | 27 | 3 -1 |
| 129170-12100 | 9 | 1 |
| 129170-49010 | 20 | 2 |
| | 47 | 1 |
| 129171-49900 | 20 | 16 |
| 129171-51040 | 25 | 5 |
| 129171-85900 | 34 | 2 |
| 129190-51590 | 25 | 53 -1 |
| 129202-22300 | 13 | 7 |
| 129208-54500 | 25 | 68 |
| 129209-61370 | 26 | 63 |
| 129209-61920 | 26 | 77 -1 |
| 129209-61930 | 26 | 84 |
| 129209-61940 | 26 | 89 |
| 129209-61970 | 26 | 87 |
| 129263-42120 | 18 | 7 -1 |
| 129270-21591 | 12 | 8 |
| 129270-44410 | 19 | 7 |
| 129270-44500 | 19 | 25 |

| Parts No. | Fig. No. | Ref. No. |
|--------------|----------|----------|
| 129270-44501 | 19 | 25 -1 |
| 129270-44910 | 19 | 1 |
| 129270-49040 | 20 | 4 |
| | 47 | 2 |
| 129270-49210 | 21 | 2 |
| | | 6 |
| 129270-49400 | 18 | 17 |
| 129270-59550 | 30 | 21 |
| 129270-59580 | 30 | 23 |
| 129270-81110 | 33 | 2 |
| 129270-81120 | 33 | 1 |
| 129270-81170 | 33 | 3 |
| 129270-81180 | 33 | 4 |
| 129270-92100 | 42 | 1 |
| 129270-92600 | 42 | 2 |
| 129270-92610 | 42 | 5 |
| 129270-92620 | 42 | 6 |
| 129270-92630 | 42 | 7 |
| 129270-92640 | 42 | 8 |
| 129270-92650 | 42 | 3 |
| 129270-92690 | 42 | 4 |
| 129271-01500 | 2 | 1 |
| 129271-01700 | 5 | 1 |
| 129271-03090 | 8 | 17 |
| 129271-03091 | 8 | 17 -1 |
| 129271-07560 | 6 | 11 |
| 129271-08390 | 4 | 11 -2 |
| 129271-11700 | 7 | 15 |
| 129271-12310 | 9 | 8 |
| 129271-12311 | 9 | 8 -1 |
| 129271-12350 | 9 | 9 |
| 129271-12410 | 9 | 10 |
| 129271-12810 | 9 | 11 |
| 129271-21350 | 38 | 8 |
| 129271-34880 | 5 | 11 |
| 129271-39450 | 15 | 2 |
| 129271-42000 | 18 | 1 |
| 129271-42001 | 18 | 1 -1 |
| 129271-42280 | 18 | 35 |
| 129271-42500 | 16 | 1 |
| 129271-42501 | 16 | 1 -1 |
| 129271-42510 | 16 | 8 |
| | 17 | 8 |
| 129271-42700 | 16 | 21 |
| 129271-49010 | 20 | 3 |
| 129271-49040 | 20 | 23 |
| 129271-49110 | 20 | 11 |
| | | 24 |
| | 21 | 9 |
| 129271-49210 | 20 | 21 |

Parts No. Index

| Parts No. | Fig. No. | Ref. No. |
|--------------|----------|----------|
| 129271-49220 | 21 | 8 |
| 129271-49250 | 21 | 5 -1 |
| | | 5 -2 |
| 129271-55660 | 30 | 5 -1 |
| 129271-59300 | 30 | 18 -1 |
| 129271-59530 | 30 | 19 -1 |
| 129271-59810 | 29 | 6 |
| 129271-59820 | 29 | 10 |
| 129271-59830 | 29 | 14 |
| 129271-67100 | 32 | 1 |
| 129271-77220 | 44 | 4 |
| 129271-77230 | 44 | 29 |
| 129271-77240 | 44 | 5 |
| | | 33 |
| 129271-77250 | 44 | 6 |
| 129271-77260 | 44 | 7 |
| 129271-77270 | 44 | 8 |
| 129271-77280 | 44 | 9 |
| 129271-77290 | 44 | 10 |
| 129271-77310 | 38 | 9 |
| 129271-77311 | 38 | 9 -1 |
| 129271-77330 | 38 | 10 |
| 129271-77340 | 44 | 11 |
| 129271-77350 | 44 | 12 |
| 129271-77360 | 44 | 13 |
| 129271-77370 | 44 | 14 |
| 129271-77380 | 44 | 15 |
| 129271-77390 | 38 | 36 |
| 129271-77400 | 38 | 3 |
| 129271-77401 | 38 | 3 -1 |
| 129271-77410 | 38 | 4 |
| | | 4 -1 |
| | | 24 |
| 129271-77411 | 38 | 4 -2 |
| | | 24 -1 |
| 129271-77420 | 38 | 7 |
| | | 25 |
| 129271-77421 | 38 | 7 -1 |
| | | 25 -1 |
| 129271-77430 | 38 | 20 |
| | | 26 |
| 129271-77440 | 38 | 27 |
| 129271-77480 | 38 | 37 |
| 129271-77490 | 38 | 38 |
| 129271-77500 | 38 | 28 |
| 129271-77501 | 38 | 28 -1 |
| 129271-77510 | 38 | 29 |
| 129271-77570 | 44 | 17 |
| 129271-77580 | 44 | 4 C |
| 129271-77590 | 44 | 32 |

| Parts No. | Fig. No. | Ref. No. |
|--------------|----------|----------|
| 129271-77600 | 44 | 4 A |
| 129271-77610 | 44 | 30 |
| 129271-77620 | 44 | 4 B |
| | | 31 |
| 129271-77910 | 39 | 1 |
| 129271-77911 | 39 | 1 -1 |
| 129271-77920 | 9 | 21 |
| 129271-77921 | 9 | 21 -1 |
| 129271-77930 | 38 | 11 |
| 129271-77931 | 38 | 11 -1 |
| 129271-77950 | 26 | 85 |
| 129271-77960 | 39 | 11 |
| 129271-91110 | 40 | 1 |
| 129271-91111 | 40 | 1 -1 |
| 129271-91112 | 40 | 1 -2 |
| 129271-91113 | 40 | 1 -3 |
| 129271-91120 | 40 | 2 |
| 129271-91130 | 40 | 3 |
| | 45 | 2 |
| 129271-91131 | 40 | 3 -1 |
| | 45 | 2 -1 |
| 129271-91132 | 40 | 3 -2 |
| | 45 | 2 -2 |
| 129271-91140 | 40 | 4 |
| | 45 | 3 |
| 129271-91150 | 40 | 5 |
| 129271-91160 | 41 | 1 |
| 129271-91161 | 41 | 1 -1 |
| 129271-91162 | 41 | 1 -2 |
| 129271-91163 | 41 | 1 -3 |
| 129271-91170 | 41 | 2 |
| 129271-91180 | 41 | 3 |
| | 46 | 2 |
| 129271-91181 | 41 | 3 -1 |
| | 46 | 2 -1 |
| 129271-91182 | 41 | 3 -2 |
| | 46 | 2 -2 |
| 129271-91190 | 41 | 4 |
| | 46 | 3 |
| 129271-91200 | 41 | 5 |
| 129271-91210 | 40 | 6 |
| | 41 | 6 |
| | 45 | 4 |
| | 46 | 4 |
| 129271-91211 | 40 | 6 -1 |
| | 41 | 6 -1 |
| | 45 | 4 -1 |
| | 46 | 4 -1 |
| 129271-91220 | 40 | 7 |
| | 41 | 7 |

| Parts No. | Fig. No. | Ref. No. |
|--------------|----------|----------|
| 129271-91230 | 40 | 8 |
| | 41 | 8 |
| | 45 | 5 |
| | 46 | 5 |
| 129271-91240 | 41 | 9 |
| | 46 | 6 |
| 129271-91250 | 41 | 11 |
| | 46 | 7 |
| 129271-91260 | 40 | 10 |
| | 41 | 12 |
| 129271-91300 | 45 | 1 |
| 129271-91301 | 45 | 1 -1 |
| 129271-91302 | 45 | 1 -2 |
| 129271-91310 | 45 | 6 |
| 129271-91320 | 45 | 7 |
| 129271-91330 | 45 | 8 |
| | 46 | 8 |
| 129271-91340 | 45 | 9 |
| | 46 | 9 |
| 129271-91350 | 46 | 1 |
| 129271-91351 | 46 | 1 -1 |
| 129271-91352 | 46 | 1 -2 |
| 129271-91360 | 46 | 10 |
| 129271-91370 | 46 | 11 |
| 129301-34830 | 44 | 1 |
| 129410-03990 | 8 | 18 |
| 129417-33110 | 14 | 8 |
| 129417-33111 | 14 | 8 -1 |
| 129417-35150 | 14 | 11 |
| 129418-32320 | 2 | 10 |
| 129461-59580 | 30 | 39 |
| 129470-07230 | 7 | 2 |
| 129470-13541 | 10 | 4 |
| 129470-49220 | 21 | 3 |
| 129470-49250 | 21 | 5 |
| 129470-49540 | 18 | 25 |
| 129470-49801 | 18 | 27 |
| | 49 | 20 |
| 129470-49810 | 18 | 28 |
| | 43 | 20 |
| 129470-51080 | 25 | 8 |
| 129470-51101 | 25 | 10 |
| 129470-55601 | 30 | 1 |
| 129470-55701 | 30 | 3 |
| 129470-55702 | 30 | 3 -1 |
| 129470-55703 | 30 | 3 -2 |
| | 49 | 25 |
| 129470-59122 | 30 | 9 |
| 129470-59530 | 30 | 19 |
| 129470-59542 | 30 | 20 |

| Parts No. | Fig. No. | Ref. No. |
|--------------|----------|----------|
| 129470-59562 | 30 | 22 |
| 129470-61650 | 26 | 82 |
| 129470-67200 | 32 | 2 |
| 129470-86500 | 32 | 19 |
| 129470-92300 | 42 | 9 |
| 129470-92310 | 42 | 10 |
| 129470-92320 | 42 | 11 |
| 129472-13560 | 10 | 5 |
| 129472-18090 | 10 | 2 |
| | | 10 |
| | | 43 |
| | | 49 |
| | | 6 |
| 129486-01670 | 3 | 9 |
| 129486-12581 | 9 | 5 |
| 129486-42050 | 18 | 16 |
| | 43 | 18 |
| 129486-51060 | 25 | 7 |
| 129486-61201 | 26 | 11 |
| 129486-61202 | 26 | 11 -1 |
| 129486-61540 | 26 | 52 |
| 129490-49070 | 20 | 15 |
| 129495-59300 | 30 | 18 |
| 129495-77330 | 18 | 21 |
| 129508-32111 | 2 | 18 |
| 129508-32120 | 2 | 19 |
| 129508-33010 | 14 | 7 |
| 129508-33050 | 14 | 7 A |
| 129508-49030 | 14 | 16 |
| 129508-49040 | 14 | 20 |
| 129550-42350 | 18 | 31 |
| 129570-59121 | 30 | 10 |
| 129570-77960 | 39 | 24 |
| 129573-51330 | 25 | 29 |
| 129573-51340 | 25 | 30 |
| 129573-51370 | 25 | 33 |
| 129574-77710 | 39 | 27 |
| 129574-77720 | 39 | 28 |
| 129574-77740 | 39 | 30 |
| 129574-77980 | 39 | 25 |
| 129602-53001 | 28 | 2 |
| | 49 | 22 |
| 129608-77010 | 35 | 1 |
| 129608-77110 | 35 | 4 |
| 129612-77710 | 36 | 3 |
| 129670-01600 | 3 | 2 |
| 129670-01601 | 3 | 2 -1 |
| 129670-07230 | 7 | 2 -1 |
| | | 2 -2 |
| | 19 | 17 A |
| 129670-08100 | 4 | 9 |

Parts No. Index

| Parts No. | Fig. No. | Ref. No. |
|--------------|----------|----------|
| 129670-08110 | 4 | 1 |
| 129670-08120 | 4 | 2 |
| 129670-08130 | 4 | 3 |
| 129670-08340 | 4 | 7 |
| 129670-08341 | 4 | 7 -1 |
| 129670-08350 | 4 | 11 |
| 129670-08351 | 4 | 11 -1 |
| 129670-13560 | 10 | 1 |
| 129670-13561 | 10 | 1 -1 |
| 129670-13580 | 10 | 11 |
| | | 11 -1 |
| 129670-13600 | 19 | 17 -1 |
| | 33 | 5 -1 |
| 129670-34800 | 5 | 10 |
| 129670-39600 | 39 | 19 |
| 129670-39990 | 14 | 29 -1 |
| 129670-42511 | 17 | 1 |
| 129670-42512 | 17 | 2 -1 |
| 129670-42520 | 16 | 6 |
| | 17 | 6 |
| | 49 | 16 |
| 129670-42530 | 16 | 3 |
| | 17 | 3 |
| 129670-42531 | 16 | 3 -1 |
| | 17 | 3 -1 |
| | 49 | 17 |
| 129670-42540 | 16 | 5 |
| | 17 | 5 |
| | 49 | 18 |
| 129670-42550 | 16 | 7 |
| | 17 | 7 |
| 129670-42560 | 16 | 11 |
| | 17 | 11 |
| 129670-42570 | 16 | 20 |
| | 17 | 20 |
| 129670-42580 | 16 | 17 |
| | 17 | 17 |
| 129670-42700 | 17 | 21 |
| 129670-44150 | 19 | 6 |
| 129670-44430 | 19 | 8 |
| 129670-44450 | 19 | 11 |
| 129670-44570 | 19 | 27 |
| 129670-49110 | 47 | 3 |
| 129670-49150 | 20 | 9 |
| 129670-49200 | 10 | 6 |
| 129670-49280 | 10 | 6 -1 |
| 129670-49290 | 20 | 1 |
| | 21 | 1 |
| | 47 | 4 |
| 129670-49390 | 18 | 38 |

| Parts No. | Fig. No. | Ref. No. |
|--------------|----------|----------|
| 129670-49500 | 10 | 9 |
| | 20 | 6 |
| | | 10 |
| | | 17 |
| | | 22 |
| | | 26 |
| | 21 | 7 |
| | | 7 -1 |
| | 22 | 13 |
| | 47 | 7 |
| 129670-51300 | 25 | 26 |
| 129670-55700 | 30 | 4 -1 |
| 129670-59120 | 30 | 9 -1 |
| 129670-59130 | 30 | 10 -1 |
| 129670-59560 | 30 | 22 -1 |
| 129670-67110 | 32 | 16 -1 |
| 129670-77030 | 35 | 27 -1 |
| 129670-77340 | 36 | 8 |
| | 37 | 23 |
| 129670-77350 | 36 | 8 -1 |
| | 37 | 23 -1 |
| 129670-77370 | 36 | 9 -2 |
| | 37 | 24 -2 |
| 129670-77380 | 36 | 10 -1 |
| | 37 | 25 -1 |
| 129670-77800 | 33 | 8 |
| 129670-77810 | 33 | 9 |
| 129670-77820 | 33 | 10 |
| 129670-77830 | 33 | 11 |
| 129670-77940 | 39 | 2 -1 |
| 129670-81850 | 12 | 20 |
| 129670-85900 | 34 | 3 |
| 129671-49110 | 20 | 20 |
| 129671-49120 | 20 | 25 |
| 129671-92110 | 42 | 13 |
| 129671-92120 | 42 | 14 |
| 129671-92130 | 42 | 15 |
| 129673-44090 | 19 | 4 |
| 129673-44130 | 19 | 5 |
| 129673-44131 | 19 | 5 -1 |
| 129673-49230 | 21 | 4 |
| 129693-44300 | 7 | 40 |
| 129695-77370 | 36 | 9 |
| | 37 | 24 |
| 129695-77371 | 36 | 9 -1 |
| | 37 | 24 -1 |
| 129695-77380 | 36 | 10 |
| | 37 | 25 |
| 129698-77020 | 35 | 2 |
| 129698-77101 | 35 | 3 |

| Parts No. | Fig. No. | Ref. No. |
|--------------|----------|----------|
| 129698-77120 | 35 | 5 |
| 129698-77130 | 35 | 7 |
| 129698-77140 | 35 | 6 |
| 129698-77150 | 35 | 8 |
| 129698-77161 | 35 | 9 |
| 129698-77170 | 35 | 10 |
| 129698-77180 | 35 | 17 |
| 129698-77190 | 35 | 18 |
| 129698-77200 | 35 | 19 |
| 129698-77210 | 35 | 20 |
| 129698-77220 | 35 | 21 |
| 129698-77230 | 35 | 22 |
| 129698-77240 | 35 | 15 |
| 129698-77250 | 35 | 16 |
| 129698-77260 | 35 | 11 |
| 129698-77270 | 35 | 13 |
| 129698-77280 | 35 | 14 |
| 129795-01780 | 3 | 8 |
| 129795-01800 | 2 | 6 |
| 129795-01950 | 2 | 16 |
| 129795-02411 | 1 | 13 |
| 129795-02412 | 1 | 13 -1 |
| 129795-11120 | 7 | 26 |
| 129795-11180 | 7 | 27 |
| 129795-21661 | 12 | 12 |
| 129795-48800 | 22 | 1 |
| 129795-49551 | 18 | 26 |
| | 43 | 19 |
| | 49 | 19 |
| 129900-07900 | 7 | 1 |
| 129900-32130 | 2 | 9 |
| 129900-77810 | 36 | 3 -1 |
| 129916-49740 | 18 | 5 -1 |
| 129C26-01890 | 16 | 26 -1 |
| | 17 | 26 -1 |
| | 43 | 17 -1 |
| 138603-59380 | 31 | 4 |
| 158552-61900 | 26 | 72 -1 |
| 158600-51170 | 25 | 14 -1 |
| 158600-51270 | 25 | 24 -1 |
| 158600-51410 | 25 | 37 -1 |
| 158600-51420 | 25 | 38 -1 |
| 158600-51570 | 25 | 51 -1 |
| 158600-51790 | 25 | 59 -1 |
| 171008-03990 | 14 | 17 |
| | | 24 -1 |
| 171051-01921 | 1 | 9 |
| 171087-42280 | 49 | 15 |
| 171353-61700 | 26 | 83 |
| 174307-51170 | 25 | 14 |

| Parts No. | Fig. No. | Ref. No. |
|--------------|----------|----------|
| 174307-51700 | 26 | 34 |
| 177070-03520 | 12 | 16 |
| 177088-02430 | 6 | 5 |
| 177099-03500 | 12 | 18 |
| 194250-51660 | 44 | 2 |
| 196420-02310 | 4 | 15 |
| 196440-02390 | 4 | 16 |
| 196440-04310 | 12 | 18 -1 |
| 196630-12980 | 6 | 12 |
| 22117-040000 | 26 | 65 |
| 22137-080000 | 10 | 12 |
| | 30 | 40 |
| | 36 | 11 |
| | 37 | 26 |
| | 38 | 12 |
| | | 13 |
| | 39 | 4 |
| | 44 | 18 |
| 22137-100000 | 36 | 12 |
| | 37 | 27 |
| 22137-120000 | 44 | 19 |
| 22157-080000 | 38 | 5 |
| | | 30 |
| | 39 | 12 |
| 22190-060003 | 26 | 66 |
| 22190-080002 | 2 | 24 A |
| | 15 | 5 |
| | 30 | 33 |
| | 43 | 15 |
| 22190-100002 | 15 | 3 |
| | 26 | 67 |
| | 43 | 16 |
| 22190-120002 | 26 | 68 |
| | 30 | 14 |
| | | 34 |
| | 43 | 22 |
| 22190-140002 | 5 | 14 |
| | 30 | 35 |
| | 43 | 7 |
| 22190-160002 | 25 | 61 |
| 22217-050000 | 25 | 62 |
| | 32 | 7 |
| 22217-060000 | 9 | 22 |
| | 25 | 63 |
| | 39 | 13 |
| 22217-080000 | 5 | 15 |
| | 18 | 33 |
| | 32 | 8 |
| | 39 | 5 |
| 22217-100000 | 5 | 16 |

Parts No. Index

| Parts No. | Fig. No. | Ref. No. |
|--------------|----------|----------|
| 22217-120000 | 4 | 17 |
| | 25 | 70 |
| 22242-000100 | 32 | 6 |
| 22252-000260 | 13 | 8 |
| 22287-120000 | 26 | 69 |
| 22351-030010 | 12 | 14 |
| 22351-050010 | 25 | 64 |
| 22351-060012 | 7 | 35 |
| 22372-040000 | 26 | 70 |
| 22414-250150 | 32 | 9 |
| 22512-070140 | 11 | 8 |
| | 12 | 5 |
| 22724-800380 | 35 | 26 |
| 22857-500100 | 8 | 11 |
| | | 12 |
| 23000-013000 | 30 | 11 |
| | | 17 |
| 23000-016000 | 30 | 13 |
| | | 32 |
| 23000-048000 | 9 | 14 |
| 23000-060000 | 9 | 13 |
| 23010-013000 | 19 | 28 |
| 23010-014000 | 31 | 5 |
| 23061-070300 | 19 | 20 |
| | 20 | 7 |
| | 47 | 9 |
| 23072-101000 | 22 | 12 |
| 23080-015000 | 14 | 19 |
| | | 23 |
| 23080-018000 | 14 | 24 |
| 23414-080000 | 32 | 10 |
| | 43 | 23 |
| 23414-120016 | 26 | 88 |
| 23414-140000 | 5 | 3 |
| 23414-170000 | 19 | 15 |
| 23857-060000 | 30 | 15 |
| | | 37 |
| 23857-080000 | 5 | 17 |
| 23875-010000 | 39 | 20 |
| 23875-030000 | 18 | 5 |
| | | 19 |
| 23876-030000 | 2 | 4 |
| 23876-040000 | 2 | 5 |
| 23887-100002 | 26 | 71 |
| 23887-140002 | 5 | 4 |
| 23887-180002 | 39 | 22 |
| 23893-030002 | 19 | 16 |
| 23894-030002 | 19 | 16 -1 |
| 24311-000060 | 22 | 11 |
| 24311-000120 | 8 | 14 |

| Parts No. | Fig. No. | Ref. No. |
|--------------|----------|----------|
| 24311-000120 | 43 | 9 |
| 24311-000150 | 26 | 91 |
| 24311-000320 | 2 | 23 |
| | 8 | 15 |
| | 43 | 5 |
| 24316-000150 | 25 | 32 -1 |
| 24341-000160 | 25 | 65 |
| 24341-000240 | 2 | 29 |
| | 43 | 6 |
| 24341-000280 | 26 | 72 |
| 24358-240310 | 18 | 4 -2 |
| 25132-003800 | 38 | 14 |
| 25152-004300 | 18 | 20 |
| 26013-080142 | 12 | 15 |
| | | 19 |
| 26013-080652 | 18 | 34 -1 |
| 26022-050122 | 25 | 66 |
| 26022-060162 | 25 | 67 |
| 26106-060082 | 9 | 23 |
| | 39 | 14 |
| 26106-060102 | 18 | 22 |
| | 26 | 73 |
| | | 74 |
| 26106-060122 | 39 | 15 |
| 26106-060142 | 18 | 8 |
| | 26 | 75 |
| 26106-060162 | 2 | 30 |
| 26106-060202 | 18 | 9 |
| | 26 | 76 |
| 26106-080102 | 30 | 36 |
| 26106-080122 | 20 | 12 |
| | | 27 |
| | 32 | 15 |
| 26106-080142 | 11 | 9 |
| 26106-080162 | 2 | 24 |
| | | 24 B |
| | | 25 |
| | 5 | 9 |
| | | 18 |
| | 7 | 3 |
| | | 39 |
| | 9 | 15 |
| | 12 | 17 |
| | 17 | 27 |
| | 20 | 8 |
| | | 28 |
| | 39 | 6 |
| | 47 | 10 |
| 26106-080202 | 9 | 7 |
| | 12 | 19 -2 |

| Parts No. | Fig. No. | Ref. No. |
|--------------|----------|----------|
| 26106-080202 | 14 | 15 |
| | 16 | 23 |
| | 33 | 6 |
| | 39 | 16 |
| 26106-080222 | 12 | 19 -1 |
| | 44 | 20 |
| 26106-080252 | 5 | 7 |
| | 7 | 36 |
| | 9 | 3 |
| | 16 | 27 |
| | 17 | 23 |
| | 18 | 29 |
| | 32 | 11 |
| | 36 | 13 |
| | 37 | 28 |
| | 38 | 15 |
| | | 16 |
| 26106-080352 | 3 | 10 |
| | 7 | 37 |
| | 9 | 4 |
| | | 24 |
| | 14 | 6 |
| | 18 | 30 |
| 26106-080402 | 11 | 14 |
| 26106-080452 | 5 | 8 |
| 26106-080502 | 7 | 38 |
| 26106-080552 | 2 | 26 |
| | 18 | 23 |
| | | 24 |
| 26106-080652 | 18 | 34 |
| 26106-080852 | 2 | 22 -1 |
| 26106-081002 | 19 | 21 |
| 26106-100122 | 5 | 19 |
| 26106-100162 | 5 | 19 -1 |
| 26106-100222 | 4 | 4 |
| | | 10 |
| 26106-100302 | 4 | 5 |
| | 38 | 15 -1 |
| | | 17 |
| 26106-100322 | 34 | 4 |
| | | 9 |
| | | 12 |
| 26106-100352 | 44 | 21 |
| 26116-050302 | 25 | 22 |
| 26116-060162 | 18 | 10 |
| | | 10 -1 |
| 26116-080302 | 22 | 14 |
| 26116-080752 | 44 | 22 |
| 26116-080904 | 38 | 18 |
| 26116-081004 | 44 | 23 |

| Parts No. | Fig. No. | Ref. No. |
|--------------|----------|----------|
| 26116-120252 | 4 | 6 |
| 26116-120302 | 35 | 24 |
| 26116-120452 | 44 | 24 |
| 26116-120502 | 44 | 25 |
| 26116-120652 | 44 | 26 |
| 26206-100252 | 3 | 3 |
| 26206-100302 | 3 | 4 |
| 26216-081002 | 19 | 22 |
| 26216-100402 | 30 | 5 |
| 26306-080002 | 2 | 27 |
| | 16 | 28 |
| | 30 | 6 -1 |
| | 32 | 12 |
| | 38 | 6 |
| | | 19 |
| | | 31 |
| 26306-100002 | 30 | 6 |
| 26366-080002 | 5 | 20 |
| | 17 | 24 |
| | 19 | 23 |
| | 26 | 86 |
| | 33 | 7 |
| 26450-080162 | 19 | 17 B |
| 26450-080282 | 34 | 13 |
| 26450-080302 | 34 | 13 -1 |
| 26557-050122 | 32 | 13 |
| 26577-060142 | 18 | 8 -1 |
| 26664-080002 | 22 | 7 |
| 26703-080002 | 10 | 3 |
| | | 8 |
| | 22 | 15 |
| 26706-100002 | 34 | 5 |
| | | 10 |
| | | 14 |
| 26716-050002 | 32 | 14 |
| 26716-060002 | 25 | 23 |
| 26716-080002 | 30 | 7 -1 |
| | 44 | 27 |
| 26716-100002 | 30 | 7 |
| 26716-120002 | 4 | 18 |
| | 25 | 71 |
| | 42 | 12 |
| | 44 | 28 |
| 26736-120002 | 26 | 77 |
| 26756-060002 | 26 | 78 |
| 26756-080002 | 34 | 6 |
| | 35 | 28 |
| 26776-120002 | 26 | 79 |
| 27241-120000 | 1 | 14 |
| 27241-300000 | 1 | 15 |

Parts No. Index

| Parts No. | Fig. No. | Ref. No. |
|--------------|----------|----------|
| 27241-40000 | 7 | 23 |
| 27310-080001 | 7 | 30 |
| 27730-301400 | 32 | 18 -1 |
| 29622-250001 | 44 | 2 -1 |
| 41701-001720 | 32 | 16 |
| 41710-000380 | 32 | 18 |
| 41710-000410 | 32 | 17 |
| 41730-000681 | 32 | 20 |
| 43530-500570 | 20 | 18 |
| 43662-025030 | 20 | 19 |
| 43662-025031 | 20 | 19 -1 |
| 43720-001220 | 14 | 29 |
| 48110-032411 | 34 | 7 |
| 48110-032502 | 34 | 1 |
| 711100-51540 | 25 | 20 |
| 729005-01560 | 1 | 1 |
| 729271-51450 | 25 | 1 |
| 729271-92500 | 49 | 1 |
| 729271-92600 | 43 | 1 |
| 729402-23100 | 13 | 9 |
| 729602-53101 | 28 | 1 |
| 83213-003012 | 31 | 7 |
| 977780-01200 | 24 | 1 |
| 977780-01210 | 23 | 1 |
| 977780-01211 | 23 | 1 -1 |
| | 24 | 1 -1 |
| | 48 | 1 |
| 977780-01230 | 23 | 2 |
| | 24 | 2 |
| 977780-01240 | 24 | 3 |
| 977780-01250 | 23 | 3 |
| 977780-03000 | 23 | 9 |
| | 24 | 9 |
| | 48 | 9 |
| X00190001 | 16 | 13 |
| | 17 | 13 |
| X00370017 | 16 | 16 |
| | 17 | 16 |
| X00371040 | 16 | 19 |
| | 17 | 19 |
| X0044021509 | 23 | 7 |
| | 24 | 7 |
| | 48 | 7 |
| X01357681 | 17 | 18 |
| X0146531 | 16 | 4 |
| | 17 | 4 |
| X02230015 | 16 | 12 |
| | 17 | 12 |
| X02233001 | 16 | 14 |
| | 17 | 14 |

| Parts No. | Fig. No. | Ref. No. |
|-------------|----------|----------|
| X0318101004 | 48 | 2 |
| X03431483 | 16 | 10 |
| | 17 | 10 |
| X158606410X | 48 | 3 |
| X179100011X | 24 | 5 |
| X179100021X | 23 | 5 |
| X179100022X | 48 | 5 |
| X179100100X | 23 | 6 |
| | 24 | 6 |
| | 48 | 6 |
| X199903800X | 23 | 8 |
| | 24 | 8 |
| X199906101X | 48 | 8 |
| X2114535200 | 35 | 12 |
| X6303BM0000 | 37 | 18 |
| X8636008003 | 23 | 4 |
| | 24 | 4 |
| X8636015001 | 48 | 4 |
| XL150M14041 | 37 | 17 |
| XL155G1330 | 37 | 8 |
| XL180120000 | 37 | 4 |
| XL1808320 | 37 | 13 |
| XL180G13012 | 37 | 6 |
| XL180G43150 | 37 | 7 |
| XL180G61000 | 37 | 2 |
| XL180G63006 | 37 | 5 |
| XL180G85001 | 37 | 22 |
| XL225431800 | 37 | 11 |
| XL225G1325 | 37 | 9 |
| XL235340110 | 37 | 16 |
| XTST25S001 | 22 | 2 |
| XTST25S002 | 22 | 3 |
| XTST25S003 | 22 | 4 |
| XTST25S004 | 22 | 5 |
| XTST25S005 | 22 | 6 |
| XTST25S007 | 22 | 8 |
| XTST25S008 | 22 | 9 |
| XTST25S009 | 22 | 10 |

| Parts No. | Fig. No. | Ref. No. |
|-----------|----------|----------|
|-----------|----------|----------|

| Parts No. | Fig. No. | Ref. No. |
|-----------|----------|----------|
|-----------|----------|----------|