

Temperature Sensor Oil/Water	STP-SNP	CE
	art.no: 150115 to 150135	Revision: 2009-07-07

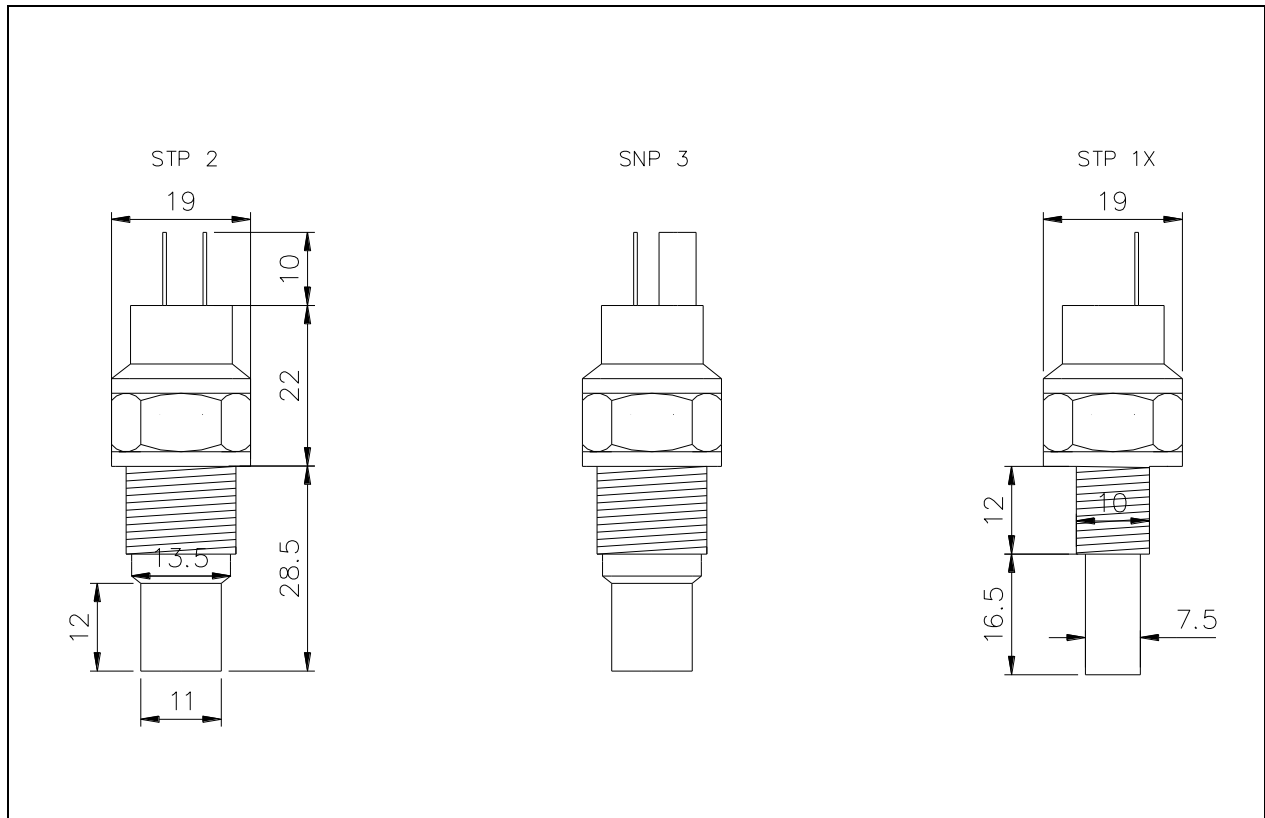


Table for sensor STP1, STP2 and SNP3.

Temperature	Ohm
100°C	38
98°C	41
95°C	45
90°C	52
85°C	60
80°C	70
75°C	80
70°C	95
65°C	108
60°C	130
55°C	155
50°C	190
45°C	212
40°C	260
35°C	300
30°C	360
25°C	450

The temperature sensors run with WEMA gauges for water and oil temp. Choose between single pole, twin pole and single pole with alarm point. If other threads are needed, please see separate sheet for adaptors.

Temperature range: 25 – 100°C

Threads	Sensor single pole	Sensor twin pole	Sensor single w/alarm 95°C
M16 x 1,5	STP-1A	STP-2A	SNP-3A
3/8" – 18NPT	STP-1B	STP-2B	SNP-3B
M18 x 1,5	STP-1C	STP-2C	SNP-3C
5/8" – 18UNF	STP-1D	STP-2D	SNP-3D
M14 x 1,5		STP-2E	SNP-3E
1/2" – 14NPTF		STP-2F	SNP-3F
1/4" – 18NPTF		STP-2G	
1/8" – 27NPT	STP-1X		